

TABLE OF CONTENTS

Account Number: _____ Discount %: _____

INTRODUCTION

Introduction.....	2
Catalog Offerings, Online Ordering and Social Media	3
Freight Information	4 - 5
Ordering information and Terms and Conditions	6 - 7
Credit Application	8
Typical Sealing Components and Regional Territory Map	9 - 10
Custom Seal Configurator Information.....	11
Seal Kit ID Code Conversion Chart	12

CUSTOM SEALS

Index.....	13
Seals On Demand Information.....	14 - 22

INDUSTRIAL KITS

Index.....	23
Material Used / Glossary of Terms.....	24
Industrial Kits.....	26 - 165

FORKLIFT KITS

Index.....	167
Forklift Kits.....	168 - 192

REPAIR ACCESSORIES

Index.....	193
Repair Accessories.....	194 - 221

ASSORTMENT KITS AND TOOLS

Index.....	223
Assortment Kits and Tools.....	224 - 262
Technical Information	263 - 274

COPYRIGHT © 2025 HB Sealing Products, Inc. All Rights Reserved.

Any use of the contents of this publication without the written permission of HB Sealing Products, Inc. is strictly prohibited.

All trademarks mentioned belong to their respective owners. Prices in this catalog supersede those found in the Hercules Sealing Products 2024 Seal, Mobile Kit, Industrial Kit, Cylinder, and Metal Working catalogs. Prices are subject to change at any time. Go to www.Herculesus.com to view current pricing.

US - Introduction

The Corporate Office of Hercules® Sealing Products is located in Clearwater, Florida. Hercules® is an ISO 9001 registered distributor of hydraulic and pneumatic seals, seal kits, repair parts, and replacement cylinders for mobile and industrial applications. Hercules® provides seal products used in hydraulic cylinders to a variety of industries for equipment such as: construction, mining, aerial lift and crane, dump and refuse trucks, material handling, industrial plant applications, paving, agriculture, and logging equipment. Industry-leading technical catalogs provide application, dimensional, material specifications and product pricing.

Hercules® Sealing Products distribution center is located in Louisville, Kentucky. The 120,000 sq. ft facility is located ten minutes from the UPS World Port which allows Hercules to offer the latest cut-off times in the US Seal Industry. The facility features state-of-the-art automation, inventory densification and design scalability.

A technical sales force with 8:00 a.m. to 8:00 p.m. ET hours of operation and an engineering department will provide you with unparalleled technical service. Additional value added services include reduced freight rates, special packaging, wide selection of aftermarket seal kits, largest in-stock inventory in the industry, and same day shipping on orders before 8:00 p.m. ET. Cylinder repair parts such as cylinders, power units, and cylinder rebuilding accessories are also available.

Hercules® Sealing Products offers products from the leading suppliers in the fluid power industry. These suppliers are continually rated and monitored based on the quality of their products. This process enables Hercules® to exceed our goal to deliver the highest quality products and services in the industry.



US HEADQUARTERS AND CALL CENTER

420 Park Place Blvd, Suite 100
Clearwater, FL, 33759 U.S.A.

Tel: **727.796.1300**
Toll Free: **800.777.5617**
Fax: **727.797.8849**
Toll Free Fax: **800.759.6391**
email: **sales@HerculesUS.com**
www.HerculesUS.com
Customer Service Hours:
8:00 AM to 8:00 PM EST
Monday to Friday



DISTRIBUTION CENTER

4400 Commerce Crossing Dr. Suite 102
Louisville, KY 40229 U.S.A.

Tel: **502.276.0829**
Toll Free: **800.777.5617**
Fax: **502.290.3296**
Toll Free Fax: **800.759.6391**
email: **sales@HerculesUS.com**
www.HerculesUS.com

Online Ordering - www.HerculesUs.com

Hercules now offers extended webstore hours for next-day air delivery! Place your orders by **8:30pm EST** and receive your shipment the following day!

Placing orders on the Hercules® website is a fast and easy alternative to calling or faxing in your orders. Simply place items in the shopping cart and register during the checkout process, or click the “register” button on the upper right-hand corner of the homepage to start the process prior to shopping. First-Time visitors need to fill out a short profile to view company specific discounts and inventory. To shop quickly, click the "Quick Order Entry" button on the left side menu and add items by part number directly into your shopping cart. For website assistance, e-mail our Help Desk at HelpDesk@HerculesUS.com, click the Live Chat, or call 727-796-1300.

Sign-up for the Hercules e-newsletter, found at the bottom of the homepage, to receive notice of web-only specials, new product announcements and industry specific articles.



Catalog Offerings

Seal Catalog - The Hercules® Seal Catalog contains over 800 pages of seals in the most popular styles and sizes. The easy-to-use format quickly locates u-seals, piston seals, scrapers, o-rings, piston rings, buffer seals, and much more. Each listing includes seal material, temperature and pressure specifications, and cross-sectional drawings to simplify selection.

Mobile Kit Catalog - The Hercules® Kit Catalog contains hydraulic and kit information for mobile applications. Complete cylinder repair kits are listed from over 140 different brands of equipment for construction, mining, aerial lift and crane, logging, refuse, agriculture, paving, and material handling. In addition, a cylinder application reference guide is available to simplify your selection.

Cylinder and Repair Parts Catalog - The Hercules® Cylinder Catalog is packed with valuable information for cylinder replacement and repair parts. It also features our very own HTR, HSTR, HMW, HCW, HTC, and Bobcat cylinders as well as telescopic cylinders, power units, and cylinder repair parts.

Metalworking Catalog - The Hercules® Metalworking Catalog provides exclusive product offerings for drills, taps, end mills, countersinks, dies, band saw blades, carbide inserts and holders, honing stones, and rotary thread files for the metal working environment. It also features in-depth technical information to simplify your selection process.

Hercules Social Media

Get connected to Hercules® Sealing Products - Go to the Hercules website at www.HerculesUs.com to link directly to our Facebook, Instagram, LinkedIn, TikTok and Hercules YouTube Channel.



Freight Information

Low cost air and ground shipments available world wide. Guaranteed service available (restrictions apply to select zip codes.) One Call to Hercules® Sealing Products gets you top quality seal and repair products, cost saving freight rates, and a wide variety of delivery services to save you time and money! Hercules® pays the dimensional weight charges for air US shipments on boxes up to 13" cubed (additional accessorail charges may apply).



MOST ARRIVE WITHIN 2 DAYS!

United States Postal Service Priority Flat-Rate Options

If It Fits, It Ships for One Low Rate - Anywhere in the Continental United States!

The United States Postal Services is available as a delivery option for all domestic locations. Your flat-rate options are as follows: Small padded envelope, medium and large boxes. When placing your order online at www.HerculesUS.com the envelope or box that would best fit your shipment size will appear on the Shipping and Payment screen. Orders placed via phone or fax will be determined by your regional sales representative. **Shipments placed by 11am EST will ship the same day.**

\$18.00*

Priority Flat-Rate Envelope
12-1/2 x 9-1/2 or
8-5/8 x 5-3/8 x 1-5/8



\$24.00*

Priority Flat-Rate
Medium Box
11" x 8 1/2" x 5 1/2"



\$30.00*

Priority Flat-Rate
Large Box
12" x 12" x 5 1/2"



* Additional accessorail charges may apply.

UPS and FedEx Special Discounted Rates

These discounted rates offer significant savings on shipments for zones 103 and up (additional accessorials charges may apply).
 * Rates may be subject to change at any time.



NEXT DAY AIR

(1-7 lbs.)

Package Weight	Rate
1 LB.	\$44.30
2 LBS.	44.30
3 LBS.	46.82
4 LBS.	51.94
5 LBS.	57.37
6 LBS.	62.82
7 LBS.	70.17

8LBS. AND UP - PUBLISHED UPS RATES.



NEXT DAY AIR

(1-7 lbs.)

Package Weight	Rate
1 LB.	\$44.30
2 LBS.	44.30
3 LBS.	46.82
4 LBS.	51.94
5 LBS.	57.37
6 LBS.	62.85
7 LBS.	70.17

8LBS. AND UP - PUBLISHED FEDEX RATES

UPS GROUND TRANSIT MAP

Call for Rates.



FEDEX GROUND TRANSIT MAP

Call for Rates.



Order Cut-Off Times

At Hercules, we understand the importance of getting your equipment fixed fast! Therefore, it is imperative that you receive your shipments on-time. Orders placed by the following cut-off times will ship the same day. All cut-off times are based on Eastern Time Zone.

Order Cut-Off Times	Freight Carriers
11:00 am EST	USPS Mail Services
3:30 pm EST	UPS Ground
8:00 pm EST	UPS Air Services
3:30 pm EST	FedEx Ground Services
5:30 pm EST	FedEx Air Services
3:30 pm EST	LTL – All Freight
3:30 pm EST	International Air FedEx and DHL
5:00 pm EST	International Air UPS

HERCULES® ORDERING INFORMATION

DOMESTIC CUSTOMER SERVICE

SATISFACTION

Total customer satisfaction is our goal. Please call with any questions or problems. Your input helps us to improve our service. We want to be your most reliable supplier.

HOW TO OPEN AN ACCOUNT WITH US - SAME DAY CREDIT APPROVAL

1. Copy and fill out the credit application found on page viii of this catalog.
2. Email or Fax completed and signed Credit Application and your sales tax exempt certificate (if applicable) for processing to 1-800-759-6391 or sales@herculesus.com.
3. Hercules will send an Open account notice when your account is approved. — If you need additional information call our Accounting Department at 800-244-5617 or email: **AR@herculesus.com**

HOW TO ORDER FROM US

Hercules can process orders in a number of ways. Orders can be placed by phone 1-800-777-5617, by email sales@herculesus.com, by fax 1-800-759-6391, or by using our website at www.herculesus.com. Our technical sales staff is also available TOLL FREE from 8 a.m. to 8:00 p.m. EST to take your order, assist you in finding the correct part, or answer any questions you may have.

SHIPMENT / DELIVERY

Every order we receive is classified as a RUSH. You tell us how fast you need it. Shipping agreements with UPS and FedEx allow us to offer substantial freight discounts.

PRICE QUOTATIONS/NON-CATALOG ITEMS

Hercules® is constantly adding parts to inventory. If you need a part that is not listed in our catalog, call, email, fax, or send us a sample of the part you need, roughly how many pieces are required, and we will source, quote, order, and stock the parts for you. Call, email or fax us anytime for price and delivery on hard-to-find or non-catalog items. Formal quotations for product and freight costs are gladly furnished upon request.

CREDIT CARDS

Hercules® accepts all major credit cards.

INTERNATIONAL CUSTOMER SERVICE

PHONE / FAX NUMBERS

PHONE: (727) 796-1300
FAX: (727) 797-8849

E-MAIL/WEBSITE

IntlSales@herculesus.com
http://www.herculesus.com

PAYMENT

Payment for all products must be in U.S. dollars.

REMIT ADDRESS: HB Sealing Products Inc, PO Box 736286, Dallas, TX 75373-6286



PLACING ORDERS FOR SHIPMENT

1. Fax, mail, email or telephone order to Hercules® specifying method of shipment.
2. Hercules® will fax or email order value to you. All prices are in U.S. dollars.
3. Wire instructions: Contact Hercules® for wire transfer details

ONLINE PAY BILLING PORTAL

Discover the convenience of Hercules' revamped Online Payment Portal. Pay invoices, download or email PDF invoices, and access payment receipts effortlessly.

Manage your payments from anywhere, anytime!

You must re-register for the New Improved Billing Portal by using your Customer ID and an Invoice Number.

Go online at www.HerculesUS.com.

SHIPMENT / DELIVERY

Hercules® will gladly ship by the carrier of your choice. Please specify any special shipping requirements you may have. All shipments are Ex-Works Louisville, KY, USA, unless otherwise specified or prearranged. Additional charges may be incurred for inbound freight and/or special packaging.

PRICE QUOTATIONS/NON-CATALOG ITEMS

Call, fax, or email us anytime for price and delivery. Formal quotations are gladly furnished upon request.

QUALITY

Hercules® has achieved a worldwide reputation as an organization committed to providing products and services that continually meet or exceed the needs and expectations of our customers. Hercules® is an ISO 9001 registered company.

ANTI-DEFAMATION POLICY

All equipment manufacturer's names, part numbers, and descriptions are used for reference purposes only. We do not imply that any part shown is the product of these manufacturers. We also do not imply that the list price shown is exactly that of the manufacturer.

TERMS AND CONDITIONS

BACKORDERS

Backorders will ship as ordered and additional freight charges will apply. Cancellation of backorders must be requested at the time of order to prevent additional freight charges. All backorders less than \$5.00 will be automatically canceled unless specified otherwise by the customer at the time of order.

CREDIT TERMS

Our payment terms for all open accounts are NET 30 days. Accounts outstanding over 30 days are reviewed daily. At 45 days past due (75 days from invoice date) all orders and backorders will automatically be put on credit hold until full payment is received.

RETURNS

Before you return any item, please call our customer service desk to obtain a Return Material Authorization (RMA) Number. Returned shipments without a Returned Material Authorization (RMA) number will be rejected. Our Receiving Department cannot accept a return without an RMA Number. Parts must be returned within 30 days of receipt of goods. All items to be returned must be in the original packaging. Returned items are subject to a 20% restocking charge. All returns are subject to inspection by our Quality Control Department and may be rejected if not in resalable condition. Special order items are non-returnable.

CLAIMS

It is the policy of HB Sealing Products that inquiries for pricing discrepancies, order discrepancies, freight claims and customer returns must be reported to Hercules Sealing Products Customer Service within 30 days of invoice. Claims/discrepancies reported after 30 days of invoice will not be honored.

ORDER CANCELLATIONS

Orders for Standard Cataloged Products will not be canceled once processed. All custom supplied, non-cataloged products cannot be canceled. Additional cancellation charges may apply.

EXCLUSION OF WARRANTIES; LIMITATIONS OF DAMAGES

EXCEPT AS PROVIDED IN THE NEXT SECTION (TITLED "HERCULES BRAND PRODUCTS CYLINDER WARRANTY") ANY WARRANTIES ON THE PRODUCTS SOLD BY HB SEALING PRODUCTS ARE THOSE MADE BY THE MANUFACTURER. EXCEPT AS PROVIDED IN THE "HERCULES BRAND PRODUCTS CYLINDER WARRANTY", HB SEALING PRODUCTS HEREBY EXPRESSLY DISCLAIMS ALL WARRANTIES, EITHER EXPRESS OR IMPLIED, INCLUDING ANY IMPLIED WARRANTY OF MERCHANTABILITY OR FITNESS FOR A PARTICULAR PURPOSE. HB SEALING PRODUCTS NEITHER ASSUMES NOR AUTHORIZES ANY OTHER PERSON TO ASSUME FOR IT ANY LIABILITY IN CONNECTION WITH THE SALE OF ITS PRODUCTS.

IN NO EVENT SHALL HB SEALING PRODUCTS BE LIABLE TO BUYER FOR ANY INDIRECT, SPECIAL, OR CONSEQUENTIAL DAMAGES, INCLUDING (WITHOUT LIMITATION) LOST PROFITS, COSTS OF DELAY, PERSONAL INJURY, PROPERTY DAMAGE OR LIABILITIES TO BUYER OR THIRD PARTIES ARISING FROM ANY SOURCE. THIS LIMITATION ON DAMAGES SHALL APPLY TO ALL PRODUCTS SOLD BY HB SEALING PRODUCTS, INCLUDING HERCULES BRAND PRODUCTS CYLINDERS. IN THE EVENT, THAT, NOTWITHSTANDING THE TERMS OF THIS SECTION, HB SEALING PRODUCTS IS FOUND LIABLE FOR DAMAGES BASED ON ANY DEFECT OR NONCONFORMITY IN PRODUCTS SOLD BY IT, INCLUDING HERCULES BRAND PRODUCTS CYLINDERS, ITS TOTAL LIABILITY FOR EACH DEFECTIVE OR NONCONFORMING PRODUCT SHALL NOT EXCEED THE PRICE PAID BY BUYER FOR SUCH DEFECTIVE PRODUCT.

HERCULES® BRAND PRODUCTS CYLINDER WARRANTY

HB Sealing Products herein supplies a limited express warranty to its buyers who purchase standard or custom Hercules Brand Products Cylinders ("Cylinders"). HB Sealing Products warrants that such Cylinders are free from defects in material and workmanship for a period of 12 months from the date the Cylinders are shipped from HB Sealing Products' facility. HB Sealing Products will repair or replace, at its sole option, Cylinders that are found to be defective in material or workmanship upon inspection by HB Sealing Products personnel when the Cylinders have been used under conditions for which the Cylinders were designed to operate. No warranty will be in effect for any of the following reasons:

- Chemical attack, corrosion or erosion;
- Non-compatible or dirty hydraulic fluid;
- Seal degradation due to contamination (including hydraulic fluids), excessive heat or misapplication;
- Excessive side loading;
- Maintenance or disassembly of the cylinder if performed by anyone other than HB Sealing Products personnel without HB Sealing Products' permission, prior to the date of warranty expiration;
- Removal of the HB Sealing Products ID tag indicating bore, stroke, and other information concerning traceability; or Instances of improper installation or misapplication of the Cylinders.

Due to the variety of operating conditions and applications for the Cylinders and HB Sealing Products' related products, HB Sealing Products recommends that Buyer analyze all aspects of the application and carefully select the correct cylinder product to fit the buyer's application. Buyer is solely responsible for the cylinder product selection in assessing that all performance, safety and warning requirements of the application are met. **IMPROPER CYLINDER PRODUCT SELECTION, MISAPPLIED ENGINEERING OR IMPROPER USE OF THE CYLINDERS AND RELATED PRODUCTS DESCRIBED HEREIN MAY CAUSE DEATH, PERSONAL INJURY AND /OR PROPERTY DAMAGE.** HB Sealing Products does not imply or represent that the Cylinders will work properly in any customer application. No sales agent of HB Sealing Products shall have the right to determine warranty periods, terms or conditions for Cylinders if such statements by the sales agents are different from those included herein. Buyer understands that HB Sealing Products will not be held liable for any other costs or damages including any charges for removal, installation, assembly or any other charges in connection with the replacement or repair of the Cylinders. All returned products must have, before being returned to HB Sealing Products, an "RMA" (return material authorization) number assigned to it by HB Sealing Products' customer service department.

THE WARRANTY STATED IN THIS SECTION IS HB SEALING PRODUCTS' SOLE AND EXCLUSIVE WARRANTY PERTAINING TO THE CYLINDERS, AND HB SEALING PRODUCTS HEREBY DISCLAIMS ANY OTHER WARRANTY, EXPRESS OR IMPLIED, INCLUDING, WITHOUT LIMITATION, ANY WARRANTY OF MERCHANTABILITY OR FITNESS FOR A PARTICULAR PURPOSE FOR THE CYLINDERS.

CREDIT APPLICATION



Hercules Sealing Products
420 Park Place Blvd, Suite 100
Clearwater, FL 33759 USA

CREDIT APPLICATION

Toll Free: 1-800-777-5617
International: (727)796-1300
Fax: (800)759-6391
Intl Fax: (727)797-8849
E-Mail: sales@herculesus.com

Please Indicate Type of Request:
<input type="checkbox"/> Catalog
<input type="checkbox"/> COD
<input type="checkbox"/> Credit Card
<input type="checkbox"/> Net 30

COMPANY INFORMATION

Company Name: _____
Billing Address: _____ City: _____ State: _____ Zip: _____
Shipping Address: _____ City: _____ State: _____ Zip: _____
Branch Office: _____ DBA: _____
Phone: _____ Fax: _____
Business Structure (Sole Ownership, Partnership, Corporation): _____
Type of Business: _____ Year Business Established: At current Address Since: _____
Federal ID#: _____ President/Owner SSN: _____
Owner/President: _____ Controller: _____
Accounts Payable Contact: _____ AP Email Address (Invoices will be emailed here): _____
Primary Contact Person: _____ Title: _____
Controller: _____ Annual Purchases: _____
Website: _____ E-Mail: _____

Primary Industry: Construction Mining Refuse/Waste Material Handling Aerial Lift/Crane Agriculture Oil and Gas
(Check One) Concrete/Paving Logging/Forestry Industrial Plant Automotive/Marine Rental Equipment

BANK REFERENCES

Bank Name and Address: _____
Account #: _____ Contact Name & Phone: _____

TRADE REFERENCES

Firm Name: _____ City, State: _____ Phone/Email/Fax: _____
1: _____
2: _____
3: _____

CREDIT AGREEMENT

I understand the following and will abide by your company regulations:

1. Notify Hercules Sealing Products of any changes in ownership of your company.
2. If granted credit, our company agrees to pay all invoices within 30 days of invoice date.
3. It is agreed that our company will pay 1.5% per month which is 18% yearly for all past due balances.
4. It is agreed that our account will become COD if we fail to pay invoices within the above stated terms.
5. Our company financial condition is satisfactory and we can meet all financial obligations.
6. There are no lawsuits or judgements against me at this present time. If our company defaults on payment of any outstanding valid invoices we agree to pay attorney and/or collection expenses.

Credit Amount Requested

AGREE TO PAY MY ACCOUNT WITHIN THE TERMS AND AUTHORIZE YOU TO OBTAIN SUCH INFORMATION YOU MAY REQUIRE CONCERNING THIS APPLICATION.

Date _____ Signed _____
X _____ Title _____
PERSONAL GUARANTEE

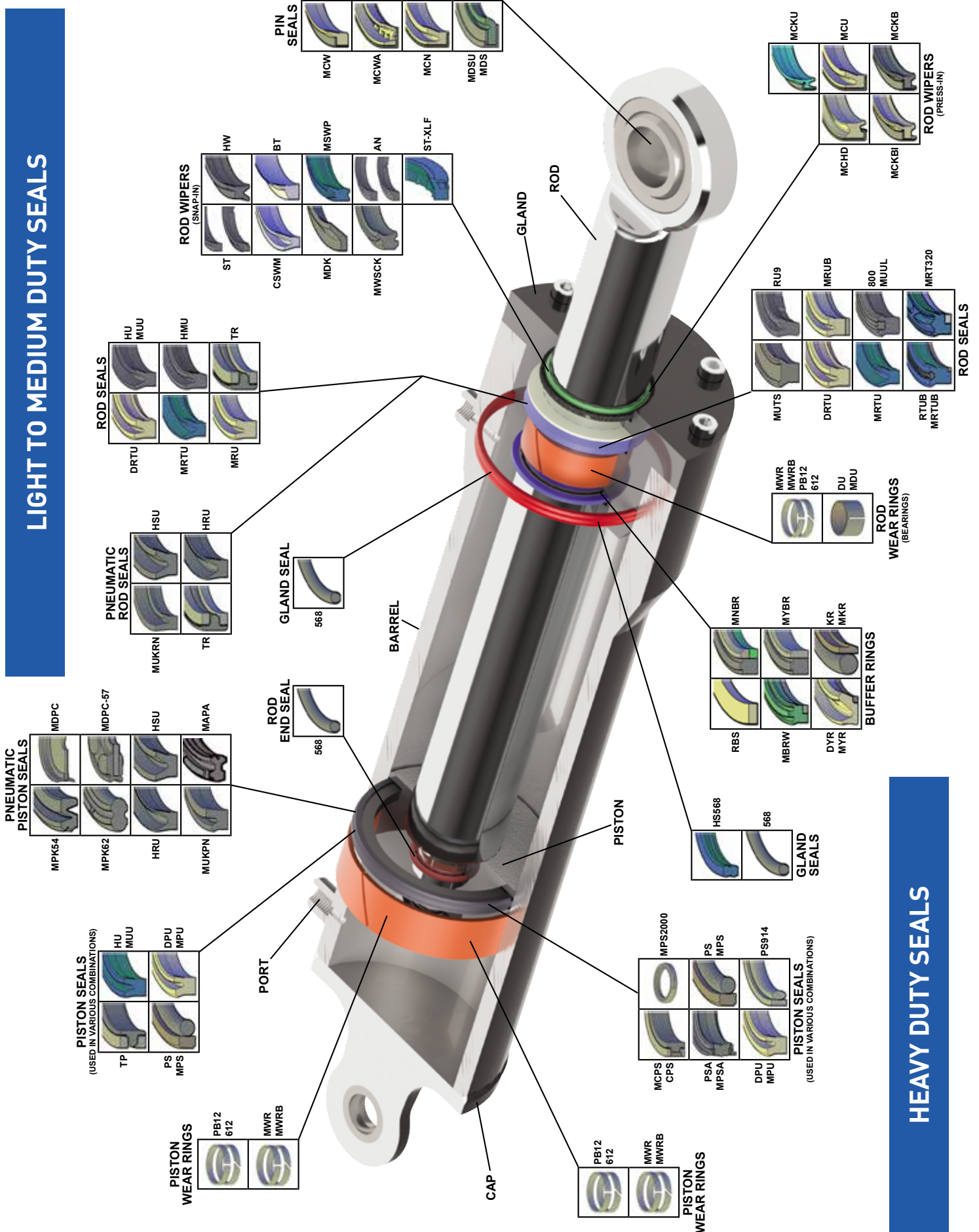
REFERRAL INFORMATION

How did you learn about Hercules Sealing Products? Please choose one and provide detailed information:

Trade Show: _____ Magazine: _____ Previous Employer: _____
Hercules Customer: _____ Website or Search: _____ Other: _____

TYPICAL SEALING COMPONENTS

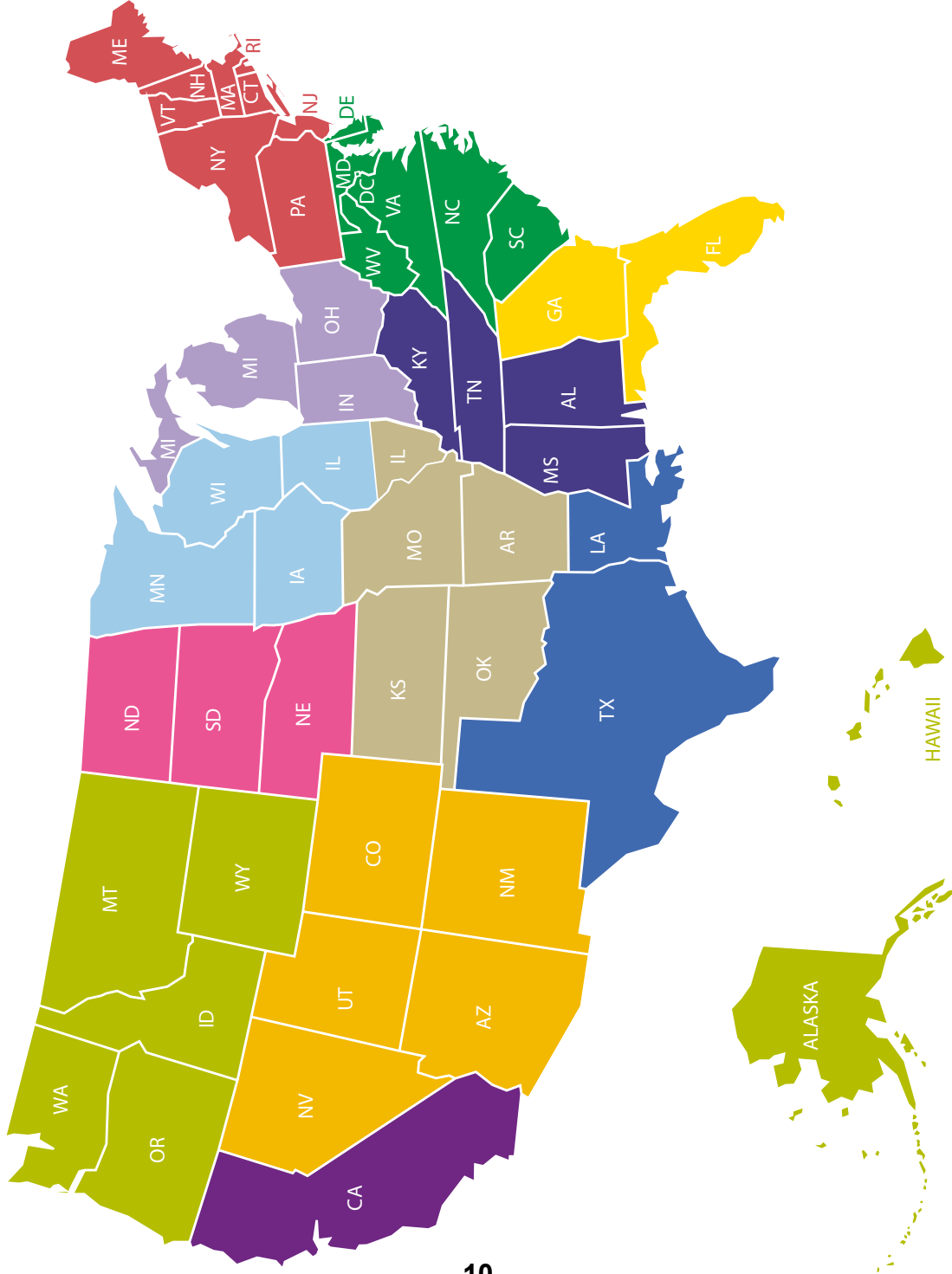
LIGHT TO MEDIUM DUTY SEALS



- Richard Ginter
Email: rginter@herculesus.com
Phone: 727.336.3775
- Harry Conn
Email: hconn@herculesus.com
Phone: 804.317.1715
- Michelle Robinson
Email: mrobinson@herculesus.com
Phone: 727.509.0268
- Ben Emtman
Email: bemtman@herculesus.com
Phone: 727.212.1381
- Tyler Loiseau
Email: tloiseau@herculesus.com
Phone: 727.330.0530
- Jason Looker
Email: jlooker@herculesus.com
Phone: 727.330.0666
- Josh Saulsbury
Email: jsaulsbury@herculesus.com
Phone: 727.386.2487
- Daniel Edmond
Email: dedmond@herculesus.com
Phone: 727.336.3881
- Tim Lee
Email: Tlee@herculesus.com
Phone: 727.336.3467
- Darren Wallace
Email: dwallace@herculesus.com
Phone: 727.235.9035
- Gabriel Flores
Email: gflores@herculesus.com
Phone: 727.796.1300
- Inside Sale
Email: sales@herculesus.com
Phone: 727.796.1300

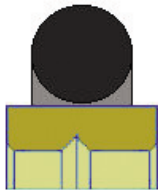
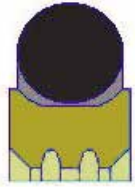
Industrial MRO Specialists

- Robbie Davis
Email: rdavis@herculesus.com
Phone: 727.420.4340
- Greg Berlin
Email: gberlin@herculesus.com
Phone: 727.754.0926



CUSTOM SEAL CONFIGURATOR

Fast, Easy to Use • Real Time Pricing & Availability • Dozens of Profiles to Choose From



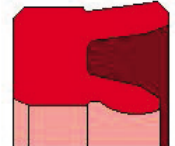
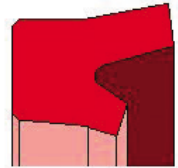
Added Features Include:

Save it to Your List

Add to Cart

Email Quote Directly to Your Customers

Order History



Go To www.HerculesUS.com
Click on Custom Seals Tab
and Create Your Custom Seal!



HERCULES SEALS ON DEMAND Custom Seal Configurator

Providing fast high quality seals in various combinations of sizes, materials, and configurations.

If we don't stock it, we'll make it!



Scan **NOW** to log in or register to customize your seal using our Seal Configurator today!

***Same day service for Next Day Air orders entered before 5:00PM**

Some exclusions may apply

SEAL KIT IDENTIFICATION CODE CONVERSION CHART

WIPERS

I = Insert
P = Press In
N = No Wiper

ROD SEALS

O = O-Ring
OB = O-Ring & B/U
U = U-Seal
UB = U-Seal & Buffer
BB = Tandem Buffers
V = Vee Set
N = None
TR = T Seal
SP = Special
UV = U-Seals &
Vee Sets

PISTON SEALS

1 = None
2 = O-Ring
3 = O-Ring & B/U
4 = 1 U-Seal
5 = 2 U-Seals
6 = 1 Piston Cup
7 = 2 Piston Cups
8 = "SA" Vee Set
9 = "DA" Vee Set
10 = Piston Seal
11 = T Seal
12 = Cast Iron Piston Ring
13 = Special
14 = 4 Piece Capped T-Seal
15 = 5 Piece Piston Seal

ROD X BORE SIZE

EXAMPLE

<u>P</u>	-	<u>U</u>	-	<u>5</u>		<u>2</u>	X	<u>4</u>
Wiper		Rod Seal		Piston Seal		Rod		Bore

NOTE:

These codes were developed as an aid for kit identification. Verification can be made by calling our sales department and comparing the parts to be replaced with those offered in our kit.

Custom Seals

Contents

Page

Piston Seals	15
Rod Seals	16
Wiper Rings	17
Rotary Seals	18
Gaskets / Back-Up Rings	19
Guide-Rings	19
Ordering Information	19
Material Index	20 - 21

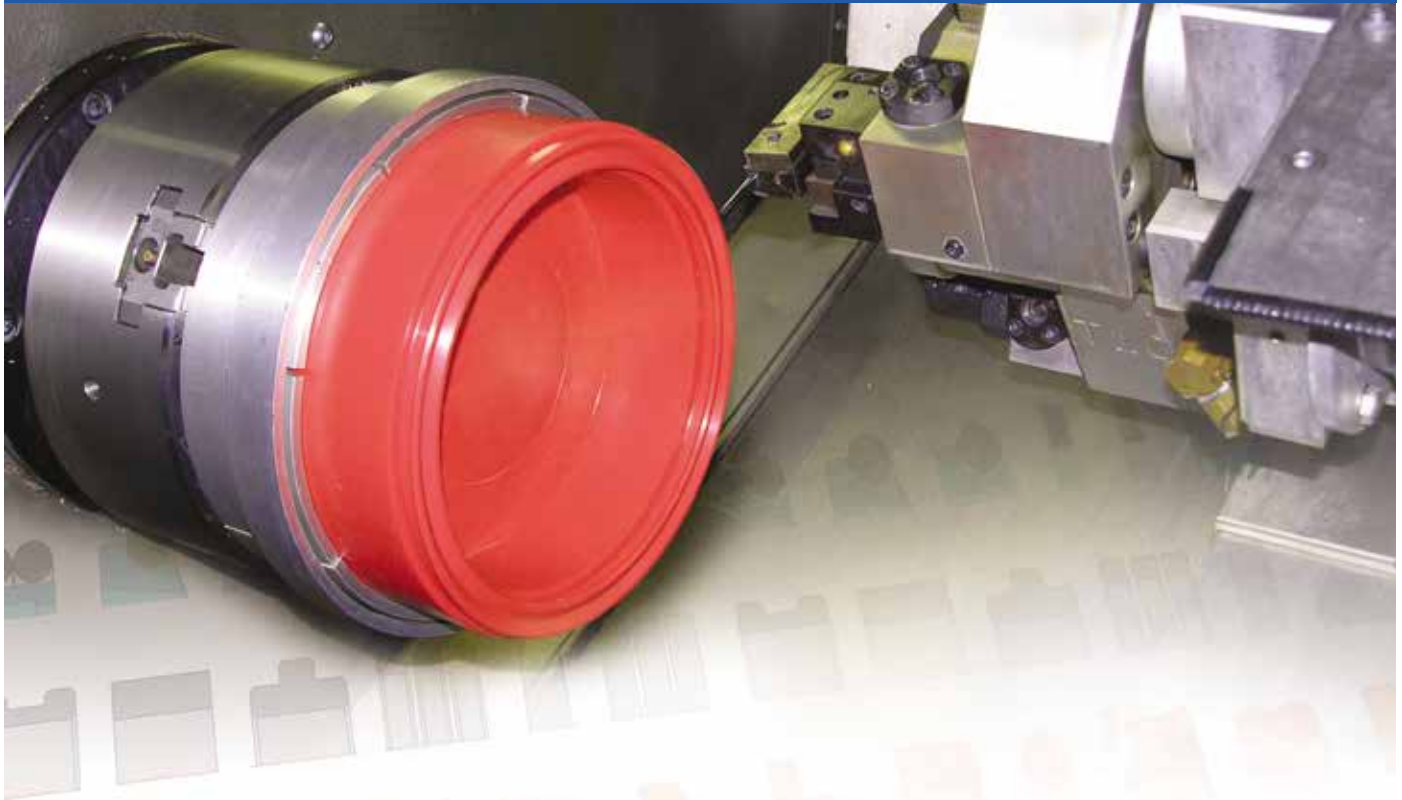


Scan for:

Custom Seal Configurator
on our website

SEALS ON DEMAND

CUSTOM SEALS



Using advanced rapid-prototype technology, Hercules® Seals On Demand offers you a wide selection of custom, cost-effective sealing solutions. Our versatile programmable production machines are capable of crafting and producing a wide range of hydraulic and pneumatic seals to suit your specific needs of O-Rings, rod seals, piston seals, wipers, back-up rings, rotary seals, swivel seals and static seals. Choose from both imperial and metric sizes for almost any fluid power application, including agriculture, automotive, heavy construction, material handling, manufacturing, mining, logging, fluid handling and refuse.

Hercules® Seals On Demand technology gives you the ability to source custom manufactured products with a short turn-around time and with no mold costs. Hercules® Seals On Demand design software offers over 100 common industry profiles

and can produce countless custom designs. The advanced lathe technology results in exceptional sealing products with smooth corners and fillets, fine surface finishes and sharp lips. Hercules® Seals On Demand has a large inventory of high quality materials in a wide range of sizes from 1/2" to 24". Material choices including rubber and urethane to plastics of fluoropolymers (PTFE) and Acetal (POM). All in stock and ready for next day delivery!

The following technical information illustrates common housings for each seal profile. Included in each seal application is a chart detailing the recommended dimensions for typical housing sizes. Hercules Sealing Products offers design assistance for non-standard and custom application needs, which may exceed the size ranges in these recommended charts. To reach our technical department, please call 1.800.777.5617 and press 8.

PISTON SEALS

TWO PIECE SEAL



A	B	C
10 - 15	D - 4.9	2.2
15.1 - 40	D - 7.5	3.2
40.1 - 80	D - 11	4.2
80.1 - 135	D - 15.5	6.3
135.1 - 300	D - 21	18.1
300.1 - 575	D - 24.5	8.1

Standard recommended dimensions, in millimeters

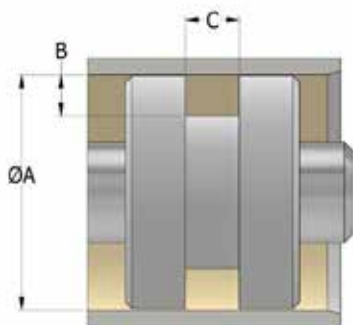
Application: Hydraulic double acting piston seals
Material: Urethane, NBR, PTFE, Fluorocarbon

TWO PIECE SEAL STEP CUT



A	B	C
38 - 40	D - 7.5	3.2
40.1 - 80	D - 11	4.2
80.1 - 135	D - 15.5	6.3
135.1 - 300	D - 21	8.1
300.1 - 394	D - 24.5	8.1

Standard recommended dimensions, in millimeters



PNEUMATIC U-SEAL



DK105 DK141 DK205

Pressure: 350 psi max

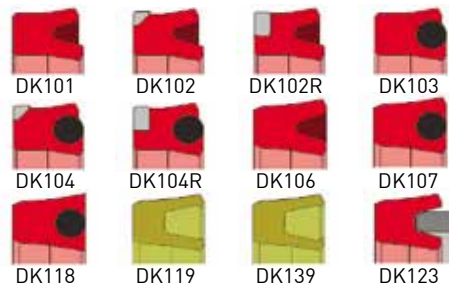
Application: Hydraulic and Pneumatic single acting piston seals

Material: Urethane, NBR, PTFE, Fluorocarbon

A	B	C
15 - 25	d - 8	6
25.1 - 50	d - 10	7
50.1 - 150	d - 12	8
75.1 - 150	d - 15	10
150.1 - 300	d - 20	12
300.1 - 450	d - 25	18
450.1 - 575	d - 30	20

Standard recommended dimensions, in millimeters

U-SEAL



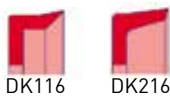
Application: Hydraulic single acting piston seals

Material: Urethane, NBR, PTFE, Fluorocarbon

A	B	C
15 - 25	D - 8	6
25.1 - 50	D - 10	7
50.1 - 75	D - 12	8
75.1 - 150	D - 15	10
150.1 - 300	D - 20	12
300.1 - 450	D - 25	18
450.1 - 575	D - 30	20

Standard recommended dimensions, in millimeters

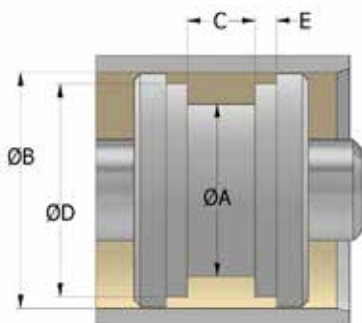
PISTON CUP



DK116 DK216

Application: Hydraulic single acting piston seals

Material: Urethane, NBR, PTFE, Fluorocarbon



COMPACT SEAL



Application: Hydraulic double acting piston seals

Material: Urethane, NBR, PTFE, Fluorocarbon

B	A	D	C	E
20 - 50	D - 10	D - 3	12.5	4
50.1 - 80	D - 15	D - 4	20	4
80.1 - 150	D - 20	D - 5	25	5.5
150.1 - 300	D - 25	D - 6	32	7
300.1 - 600	D - 30	D - 8	36	2.8

Standard recommended dimensions, in millimeters

ROD SEALS

U-SEALS

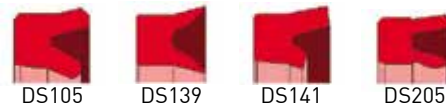


A	B	C
8 - 25	d + 8	6
25.1 - 50	d + 10	8
50.1 - 150	d + 15	10
150.1 - 300	d + 20	14
300.1 - 450	d + 25	17
450.1 - 575	d + 30	20

Standard recommended dimensions, in millimeters

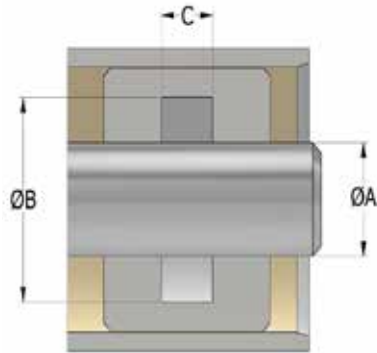
Application: Hydraulic single acting rod seals
Material: Urethane, NBR, PTFE, Fluorocarbon

PNEUMATIC U-SEALS



Application: Hydraulic single acting rod seals
Material: Urethane, NBR, PTFE, Fluorocarbon

ONE & TWO PIECE SHAFT SEALS



A	B	C
8 - 10	d + 4.9	2.2
10.1 - 39	d + 10.7	4.2
39.1 - 199	d + 15.1	6.3
199.1 - 259	d + 20.5	8.1
259.1 - 575	d + 24	8.1

Standard recommended dimensions, in millimeters

Application: Hydraulic double acting rod seals
Material: Urethane, NBR, PTFE, Fluorocarbon

VEE PACKING

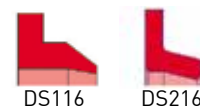


Application: Hydraulic single acting seals
Material: Urethane, NBR, PTFE, Fluorocarbon

A	B	C
10 - 40	d + 10	16
40.1 - 75	d + 15	25
75.1 - 150	d + 20	32
150.1 - 200	d + 25	40
200.1 - 300	d + 30	50
300.1 - 575	d + 40	63

Standard recommended dimensions, in millimeters

HAT PACKING



Application: Hydraulic single acting seals
Material: Urethane, NBR, PTFE, Fluorocarbon

WIPERS

SINGLE ACTING WIPERS

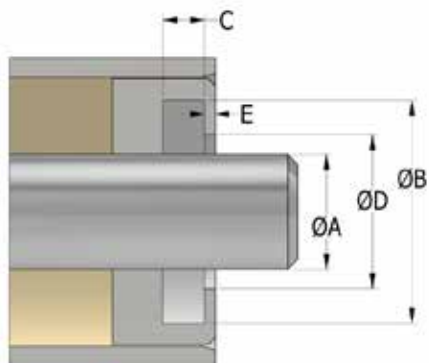


DA114 DA113 DA213 DA108

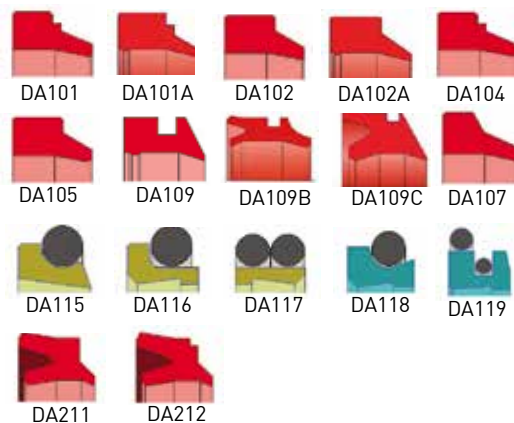
Application: Single acting wiper
Material: Urethane, NBR, PTFE, Fluorocarbon

A	B	C
8 - 50	d + 4	5
50.1 - 100	d + 5	5
100.1 - 575	d + 7.5	7

Standard recommended dimensions, in millimeters



SINGLE & DOUBLE ACTING WIPERS

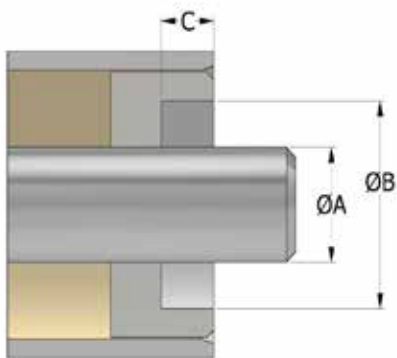


DA101 DA101A DA102 DA102A DA104
 DA105 DA109 DA109B DA109C DA107
 DA115 DA116 DA117 DA118 DA119
 DA211 DA212

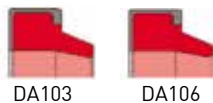
Application: W102, W105, W115 - Single acting wiper
 W111, W211, W116, W117 - Single and double acting wiper
Material: Urethane, NBR, PTFE, Fluorocarbon

A	B	C
8 - 50	d + 4	5
50.1 - 100	d + 5	5
100.1 - 575	d + 7.5	7

Standard recommended dimensions, in millimeters



SINGLE ACTING WIPERS



DA103 DA106

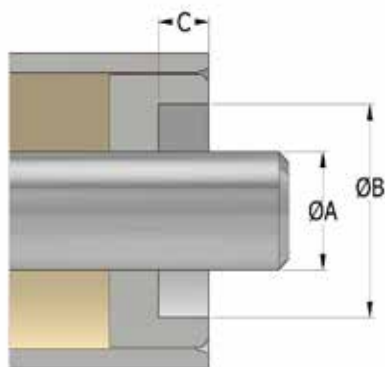
Application: Single acting wiper
Material: Urethane, NBR, PTFE, Fluorocarbon

A	B	C
8 - 10	d + 8	5
10.1 - 100	d + 9	7
100.1 - 200	d + 15	9
200.1 - 575	d + 20	12

Standard recommended dimensions, in millimeters

ROTARY SEALS

DOUBLE ACTING PISTON ROTARY SEALS

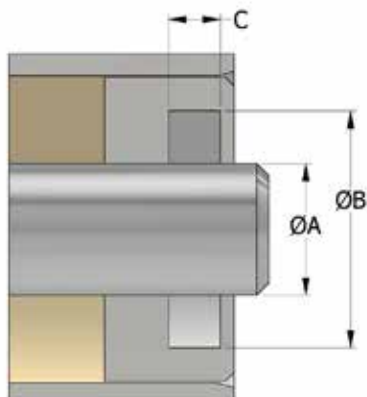


Application: Hydraulic double acting piston seals
Material: Urethane, NBR, PTFE, Fluorocarbon

	A	B	C
10 - 20	D - 4.9	2.2	
20.1 - 50	D - 7.5	3.2	
50.1 - 150	D - 11	4.2	
150.1 - 300	D - 15.5	6.3	
300 - 600	D - 21	8.1	

Standard recommended dimensions, in millimeters

DOUBLE ACTING ROD ROTARY SEALS



Application: Hydraulic double acting rod seals
Material: Urethane, NBR, PTFE, Fluorocarbon

	A	B	C
8 - 10	d + 4.9	2.2	
10.1 - 39	d + 10.7	4.2	
39.1 - 199	d + 15.1	6.3	
199.1 - 259	d + 20.5	8.1	
259 - 575	d + 25	8.1	

Standard recommended dimensions, in millimeters

DOUBLE ACTING ROD ROTARY SEALS

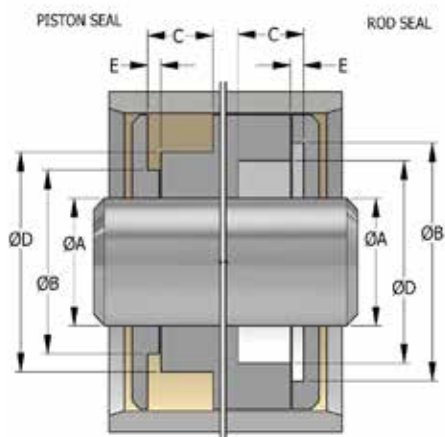


Application: Hydraulic double acting rod seals
Material: Urethane, PTFE, Urethane

	A	B	C
8 - 20	d + 4.9	2.2	
20.1 - 50	d + 7.5	3.2	
50.1 - 150	d + 11	4.2	
150.1 - 300	d + 15.5	6.3	
300.1 - 575	d + 21	8.1	

Standard recommended dimensions, in millimeters

SINGLE ACTING SHAFT SEALS



Application: Hydraulic single acting shaft seals
Material: NBR, Fluorocarbon

	A	B	C
10 - 60	d + 12	7	
60.1 - 140	d + 15	8	
14.1 - 300	d + 20	10	
300.1 - 450	d + 30	12	
450.1 - 575	D + 40	20	

Standard recommended dimensions, in millimeters

SPRING ACTIVATED SHAFT SEALS

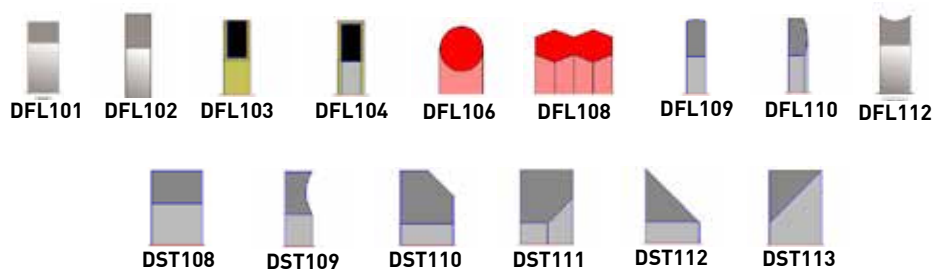


Application: Hydraulic single acting shaft seals
Material: PTFE

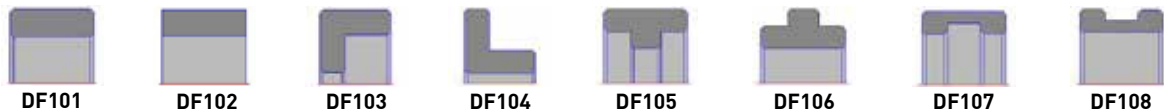
	A	B	D	C	E
8 - 20	d + 9	d + 5	36	0.85	
50.1 - 80	d + 12.5	d + 7	4.8	1.35	
80.1 - 150	d + 17.5	d + 10.5	7.1	1.8	
150.1 - 300	d + 22	d + 14	9.5	2.8	

Standard recommended dimensions, in millimeters

GASKET / BACK-UP RINGS



GUIDE-RINGS



SEALS ON DEMAND

To place an order Call 1.800.777.5617 and press 8

Please provide the following information:

- Groove dimensions
- Seal profile
- Seal material

OR go to our website at www.HerculesUS.com and click on the CUSTOM SEALS tab at the top of the page.

The Hercules® Seals On Demand inventory includes sizes from 1/4" to 24", 15 material choices; Hundreds of combinations, all in-stock and ready for next day delivery!

MATERIAL INDEX

Material Specifications:

- 96A Hydrolysis Resistant Polyurethane (HPU) (Red)
- 94A Cast Hydrolysis Resistant Polyurethane (C-HPU)(Red)
- AU30000 Urethane (30K)(Blue)
- 55D Hytrel (Orange)
- 85A NBR (Black)
- 85A HNBR (Green)
- 85A Fluorocarbon / Viton (FPM)(Brown)
- 85A EPDM (Black)
- Virgin PTFE (White)
- 15% Glass/5% Moly PTFE (Grey)
- 40% Bronze/PTFE (Bronze)
- 85D Polyacetal (POM) (White)
- 77D Polyamide (PA) (Black)
- 61D UHMW - PE (White)
- 86D Virgin PEEK (Cream)
- 86D Synthetic Fabric Thermoset Resin (SFTR) (Turquoise)

MATERIAL			HPU	C-HPU Cast	Freudenberg® AU 30000 Urethane	Hytrel	NBR	HNBR	FPM	EPDM	PTFE Virgin
Property	Specification	Unit									
Color			Red	Red	Blue	Orange	Black	Green	Brown	Black	White
Min Service Temp		°F	-5	-35	-40	-40	-35	-30	-30	-50	-325
Max Service Temp		°F	240	230	250	248	230	300	425	300	500
Max Temp - Water/Steam		°F	195	195				245	300	300	
Max Temp - Hot Air (short)		°F						355	570	355	
Hardness	ASTM D 2240	Shore A	96±2	94±1	94+3/-4		85±5	85±5	85±5	85±5	
Hardness	ASTM D 2240	Shore D	47±3	44±3	45±5	55					50-65
Modulus 100%	ASTM D 412	psi	2900	2175	2030◀	2250	1740	1450	1160		
Modulus 300%	ASTM D 412	psi	5800	4160	3190◀						
Tensile Strength	ASTM D 412	psi	6200	7250	8992◀	6100▲	2300	2900	1450	1740	6000▲
Elongation at break	ASTM D 412	%	300	350	550◀	520▲	150	200	200	80	300▲
Tear Strength	ASTM D 624 die C	lbf/inch	570	560	713		140	170	34	50	
Abrasion	ASTM D 1630	mm3	17	20			130	130	200	140	
Specific Gravity	ASTM D 792	g/cm3	1.19	1.19	1.17	1.19	1.32	1.32	2.51	1.23	2.2
Rebound Elasticity	DIN 53512	%					20		7	37	
Modulus of Elasticity	DIN 53457	N/mm2									
Compressive Strength	ASTM D 695	psi									3500
Compressive Modulus	ASTM D 695	psi									70000
Compression Set											
70°C/24hr @ 20% def	ASTM D 395 Meth B	%	25	27		40%	6	14	8	7	
100°C/24hr @ 20% def	ASTM D 395 Meth B	%	30	33	31		5	22	10		

* Lead time required	▼Spec - DIN 53505
▲Spec - ASTM D 638	◀Spec - DIN 53504
▶Spec - DIN 53455	●Spec - DIN 53479

MATERIAL INDEX

Material Specifications:

- 96A Hydrolysis Resistant Polyurethane (HPU) (Red)
- 94A Cast Hydrolysis Resistant Polyurethane (C-HPU)(Red)
- AU30000 Urethane (30K)(Blue)
- 55D Hytrel (Orange)
- 85A NBR (Black)
- 85A HNBR (Green)
- 85A Fluorocarbon / Viton (FPM)(Brown)
- 85A EPDM (Black)
- Virgin PTFE (White)
- 15% Glass/5% Moly PTFE (Grey)
- 40% Bronze/PTFE (Bronze)
- 85D Polyacetal (POM) (White)
- 77D Polyamide (PA) (Black)
- 61D UHMW - PE (White)
- 86D Virgin PEEK (Cream)
- 86D Synthetic Fabric Thermoset Resin (SFTR) (Turquoise)

MATERIAL			PTFE 15% Glass 5% Moly	PTFE 40% Bronze	POM	PA Nylon	UHMW-PE*	PEEK*	SFTR
Property	Specification	Unit							
Color			Grey	Brown	White	Black	Natural	Cream	Turquoise
Min Service Temp		°F	-325	-325	-50	-40	-325		-40
Max Service Temp		°F	500	500	210	210	175	500	309
Max Temp - Water/Steam		°F							
Max Temp - Hot Air (short)		°F							
Hardness	ASTM D 2240	Shore A							
Hardness	ASTM D 2240	Shore D	58-63	61-67	85±3	77	61	86	86
Modulus 100%	ASTM D 412	psi							
Modulus 300%	ASTM D 412	psi							
Tensile Strength	ASTM D 412	psi	3000▲	3300▲	10100	9400◀	5800▲	14000◀	
Elongation at break	ASTM D 412	%	280▲	250▲	40	120◀	350▲	50◀	
Tear Strength	ASTM D 624 die C	lbf/inch							
Abrasion	ASTM D 1630	mm3							
Specific Gravity	ASTM D 792	g/cm3	2.2	3.13	1.41	1.15●	0.93●	1.32●	1.3
Rebound Elasticity	DIN 53512	%							
Modulus of Elasticity	DIN 53457	N/mm2			3000	1800	98000	3600	
Compressive Strength	ASTM D 695	psi	1055	1470	12800				54375
Compressive Modulus	ASTM D 695	psi	63000	66000					406105
Compression Set									
70°C/24hr @ 20% def	ASTM D 395 Meth B	%							
100°C/24hr @ 20% def	ASTM D 395 Meth B	%							

* Lead time required	▼Spec - DIN 53505
▲Spec - ASTM D 638	◀Spec - DIN 53504
▶Spec - DIN 53455	●Spec - DIN 53479



Scan for:
Custom Seal Configurator
on our website

Industrial Kits

CONTENTS	PAGE
Materials Used/Glossary of Terms	24
Atlas Cylinder Repair Kits	25 - 36
Hanna Cylinder Repair Kits	36
Husky Cylinder Repair Kits	37 - 38
Hydro-line Cylinder Repair Kits	39 - 59
Miller Cylinder Repair Kits	61- 100
Milwaukee Cylinder Repair Kits	101
Ortman Cylinder Repair Kits	101
Parker Cylinder Repair Kits	102 - 142
Rexroth Cylinder Repair Kits	144 - 145
Royal Cylinder Repair Kits	146 - 149
Sheffer Cylinder Repair Kits	152 - 160
Tomkins-Johnson/TJ Cylinder Repair Kits	161
Vickers/Eaton Cylinder Repair Kits	162 - 165

All manufacturer's names, part numbers and descriptions are used for reference purposes only. We do not imply that any part shown is the product of these manufacturers. We also do not imply that the list price shown is exactly that of the manufacturer.

Materials Used

Urethane (URE)

Formulated of copolymers of ether or ester based urethanes, this material is used in a wide application of seals, wipers, back-up rings, cushions, bumpers, and a myriad of other uses. Highly resistant to oil swell, ozone, oxidation and abrasion, it also has excellent cut resistance. Highly resilient, urethanes also have high tensile strength and elongation properties. Urethanes remain an excellent choice in hydraulic systems using petroleum based fluids. Most urethane seals remain flexible and efficient in temperatures ranging from -65° F to +200° F with some able to withstand intermittent temperatures up to +300° F.

Nitrile (NBR) (XNBR)

Two common nitrile copolymer blends are Buna-N (NBR) and Carboxylated Nitrile (XNBR). Possessing very good resistance to petroleum based hydraulic oils, Buna-N also works well with fuels such as diesel or gasoline. XNBR compounds feature improved abrasion resistance and tensile strength. Nitrile seals have a good resistance to compression set, but their flexibility suffers somewhat in the lower temperature range. Seals made from this material have a low resistance to ozone and must be stored carefully in most environments. Working temperatures are -40° to +240°F.

Polytetrafluoroethylene (PTFE)

Most PTFE seals, in order to retain their toughness and flexibility, are fortified with short glass fiber, bronze flashes, carbon, graphite, or a combination of these fillers. Because of a lack of resilience (memory) in PTFE, an energizer is most often employed to obtain the desired fit. Benefits are chemical inertness, high heat resistance, low temperature flexibility, low running friction, and non-adhesive characteristics. Temperatures to +500° F are obtainable but are often reduced by the filler or energizer employed.

Fluorocarbon (FC)

Fluorocarbon combines high temperature resistance with excellent chemical resistance. Excellent for use with alcohol and aromatic fuels and is highly resistant to ultraviolet light and ozone. This material is not recommended for use in low temperatures or in aircraft hydraulic fluids. Temperature range is -20° to +400° F.

Glossary of Terms

Bearing/Wear Rings

Soft metal or plastic rings placed in grooves on the piston or in the head to prevent contact between hard metal surfaces.

Durometer

A generic term referring to the instrument and the scale used to measure the relative hardness of various elastomers. The lower the durometer rating, the softer the material.

Dynamic Seal

A sealing device used between mating surfaces that have relative motion.

Elastomer

A rubber-like material having the capacity for large deformation and rapid, complete recovery from the deforming force.

Gland

A rod bushing containing sealing devices fitted into the rod end cap. A groove or open area machined into the head or piston that houses the sealing device.

Static Seal

A sealing device used between mating surfaces that have no relative motion.

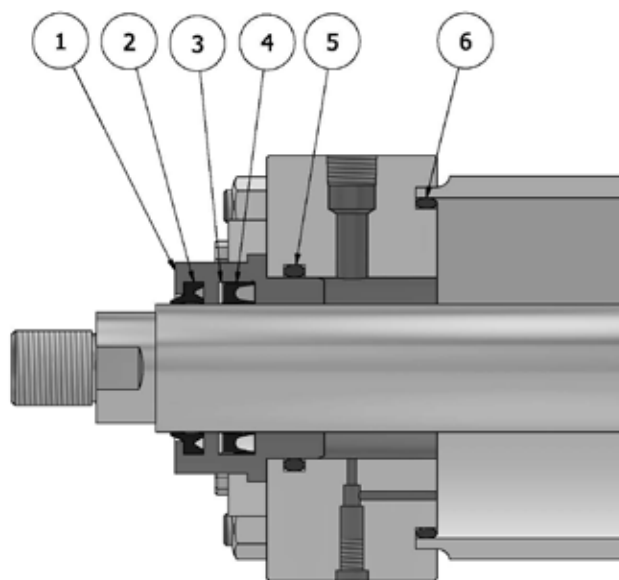
Wiper/Scraper

A device placed in the head of a cylinder for the purpose of excluding foreign matter from the inside of the cylinder.

Kit Type		Page
Series A	Rod Gland Kits	26
	Rod Gland	26
	Rod Seal Kits	26
	Piston Seal Kits	27
	End Seal Kits	27
Series H	Rod Seal Kits	28
	Piston Seal Kits	28-29
	End Seal Kits	29
Series L	Rod Gland Kits	30
	Rod Gland	30
	Rod Seal Kits	30-31
	Piston Seal Kits	31
	End Seal Kits	32
Series 2LA	Rod Gland Kits	33
	Rod Glands	33
	Rod Seal Kits	33
	Piston Seal Kits	33

Series A

Components	
1	Rod Gland
2	Rod Wiper
3	Rod Seal Back-Up
4	Rod Seal
5	Head Seal
6	End Seal
7	Piston Seal
8	Piston Seal Back-Up



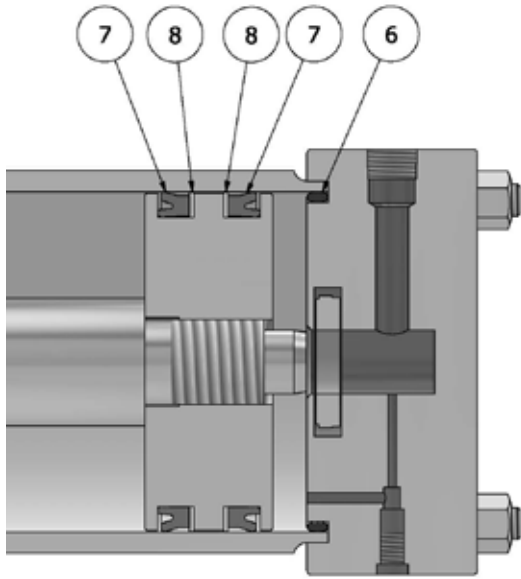
Rod Gland Kits (1,2,3,4,5) Nitrile		
Rod Dia	Sales Part No	List Price
5/8	ATL-4A06R000S	\$148.43
1	ATL-4A10R000S	174.68
1-3/8	ATL-4A13R000S	209.25
1-3/4	ATL-4A17R000S	246.68
2	ATL-4A20R000S	289.39
2-1/2	ATL-4A25R000S	329.18
3	ATL-4A30R000S	406.56

Rod Gland Kits (1,2,3,4,5) Fluorocarbon		
Rod Dia	Sales Part No	List Price
5/8	ATL-4A06R000V	\$197.10
1	ATL-4A10R000V	231.63
1-3/8	ATL-4A13R000V	239.05
1-3/4	ATL-4A17R000V	284.33
2	ATL-4A20R000V	332.75
2-1/2	ATL-4A25R000V	396.00
3	ATL-4A30R000V	479.44

Rod Gland (1) Bronze		
Rod Dia	Sales Part No	List Price
5/8	ATL-RGAL-06	\$124.17
1	ATL-RGAL-10	139.45
1-3/8	ATL-RGAL-13	163.48
1-3/4	ATL-RGAL-17	190.90
2	ATL-RGAL-20	231.57
2-1/2	ATL-RGAL-25	261.45
3	ATL-RGAL-30	325.37

Rod Seal Kits (2,3,4,5) Nitrile		
Rod Dia	Sales Part No	List Price
5/8	ATL-4A06S000S	\$ 16.92
3/4	ATL-4A07S000S	22.80
1	ATL-4A10S000S	16.94
1-3/8	ATL-4A13S000S	17.37
1-3/4	ATL-4A17S000S	21.89
2	ATL-4A20S000S	24.44
2-1/2	ATL-4A25S000S	33.28
3	ATL-4A30S000S	47.52
3-1/2	ATL-4A35S000S	51.98
4	ATL-4A40S000S	55.79
4-1/2	ATL-4A45S000S	68.14
5	ATL-4A50S000S	79.45

Rod Seal Kits (2,3,4,5) Fluorocarbon		
Rod Dia	Sales Part No	List Price
5/8	ATL-4A06S000V	\$46.98
3/4	ATL-4A07S000V	67.43
1	ATL-4A10S000V	48.45
1-3/8	ATL-4A13S000V	50.95
1-3/4	ATL-4A17S000V	57.11
2	ATL-4A20S000V	59.48
2-1/2	ATL-4A25S000V	75.19
3	ATL-4A30S000V	88.31
3-1/2	ATL-4A35S000V	109.82
4	ATL-4A40S000V	168.08
4-1/2	ATL-4A45S000V	189.53
5	ATL-4A50S000V	254.91



Piston Seal Kits (6,7,8) Nitrile

Bore Dia	Sales Part No	List Price
1-1/2	ATL-4B00S015S	\$13.63
2	ATL-4B00S020S	16.25
2-1/2	ATL-4B00S025S	18.62
3-1/4	ATL-4B00S032S	22.60
4	ATL-4B00S040S	28.77
5	ATL-4B00S050S	34.83
6	ATL-4B00S060S	45.27
7	ATL-4B00S070S	126.24
8	ATL-4B00S080S	143.20
10	ATL-4B00S100S	203.86
12	ATL-4B00S120S	275.88
14	ATL-4B00S140S	427.14

End Seal Kits (6) Nitrile

Bore Dia	Sales Part No	List Price
1-1/2	ATL-4E00S015S	\$7.91
2	ATL-4E00S020S	8.40
2-1/2	ATL-4E00S025S	9.37
3-1/4	ATL-4E00S032S	9.49
4	ATL-4E00S040S	9.97
5	ATL-4E00S050S	11.64
6	ATL-4E00S060S	14.42
7	ATL-4E00S070S	14.62
8	ATL-4E00S080S	17.79
10	ATL-4E00S100S	20.64
12	ATL-4E00S120S	23.80
14	ATL-4E00S140S	120.41

Piston Seal Kits (6,7,8) Fluorocarbon

Bore Dia	Sales Part No	List Price
1-1/2	ATL-4B00S015V	\$62.63
2	ATL-4B00S020V	71.60
2-1/2	ATL-4B00S025V	99.18
3-1/4	ATL-4B00S032V	106.51
4	ATL-4B00S040V	126.31
5	ATL-4B00S050V	156.66
6	ATL-4B00S060V	215.44
7	ATL-4B00S070V	389.52
8	ATL-4B00S080V	469.62
10	ATL-4B00S100V	650.80
12	ATL-4B00S120V	1010.14
14	ATL-4B00S140V	1489.11

End Seal Kits (6) Fluorocarbon

Bore Dia	Sales Part No	List Price
1-1/2	ATL-4E00S015V	\$11.36
2	ATL-4E00S020V	19.31
2-1/2	ATL-4E00S025V	25.31
3-1/4	ATL-4E00S032V	29.56
4	ATL-4E00S040V	38.06
5	ATL-4E00S050V	53.57
6	ATL-4E00S060V	56.49
7	ATL-4E00S070V	79.84
8	ATL-4E00S080V	80.09
10	ATL-4E00S100V	89.18
12	ATL-4E00S120V	107.55
14	ATL-4E00S140V	215.95

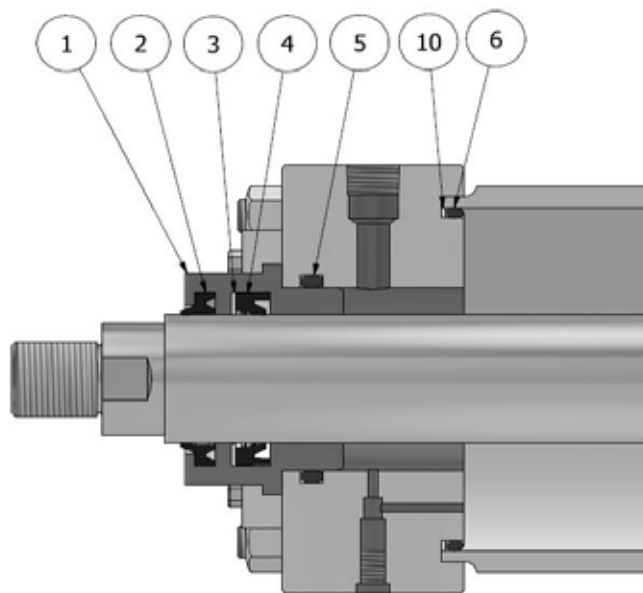
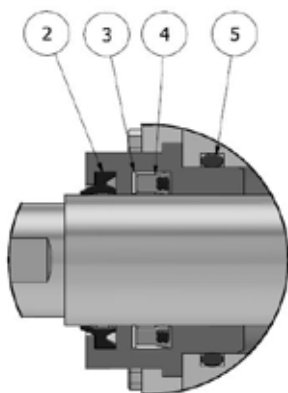
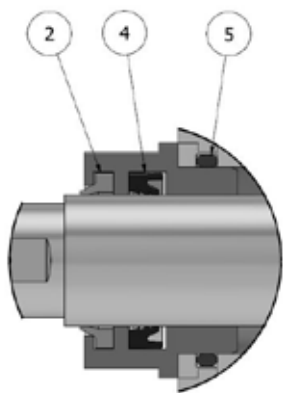
Series H

Components

1	Rod Gland	6	End Seal
2	Rod Wiper	7	Piston Seal
3	Rod Seal Back-Up	8	Piston Seal Back-Up
4	Rod Seal	9	Piston Wear Ring
5	Head Seal	10	End Seal Back-Up

Mfg Prior to April 2005

Fluorocarbon Rod Seal Kits



Rod Seal Kits (2,4,5) Nitrile

Mfg prior to April 2005 use the AN style URE wiper
Mfg April 2005 & after use the H style XNBR wiper

Rod Dia	Sales Part No	List Price
5/8	ATL-PH06SH000	\$15.32
1	ATL-PH10SH000	16.54
1-3/8	ATL-PH13SH000	22.22
1-3/4	ATL-PH17SH000	22.44
2	ATL-PH20SH000	30.69
2-1/2	ATL-PH25SH000	38.25
3	ATL-PH30SH000	40.60
3-1/2	ATL-PH35SH000	78.55

Rod Seal Kits (2,3,4,5) Mfg April 2005 & after Fluorocarbon w/ loaded U-Seal

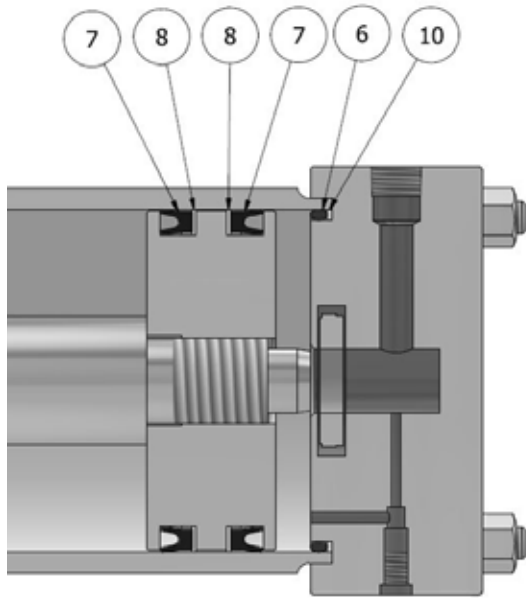
Rod Dia	Sales Part No	List Price
5/8	ATL-VH06SH000	\$46.78
1	ATL-VH10SH000	66.00
1-3/8	ATL-VH13SH000	68.85
1-3/4	ATL-VH17SH000	81.64
2	ATL-VH20SH000	93.48
2-1/2	ATL-VH25SH000	151.10
3	ATL-VH30SH000	174.11
3-1/2	ATL-VH35SH000	242.05

Piston Seal Kits (6,7,9,10) Mfg prior to April 2005 Nitrile

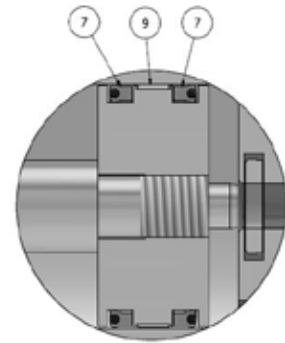
Bore Dia	Sales Part No	List Price
1-1/2	ATL-1B00S015S	\$28.37
2	ATL-1B00S020S	33.05
2-1/2	ATL-1B00S025S	35.28
3-1/4	ATL-1B00S032S	54.34
4	ATL-1B00S040S	69.70
5	ATL-1B00S050S	146.47
6	ATL-1B00S060S	250.95
7	ATL-1B00S070S	327.92
8	ATL-1B00S080S	348.03
10	ATL-1B00S100S	454.98
12	ATL-1B00S120S	578.16

Piston Seal Kits (6,7,9,10) Mfg prior to April 2005 Fluorocarbon

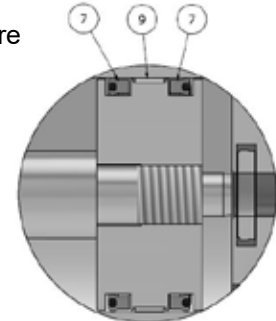
Bore Dia	Sales Part No	List Price
1-1/2	ATL-1B00S015V	\$85.94
2	ATL-1B00S020V	95.65
2-1/2	ATL-1B00S025V	101.54
3-1/4	ATL-1B00S032V	145.04
4	ATL-1B00S040V	209.01
5	ATL-1B00S050V	314.71
6	ATL-1B00S060V	427.17
7	ATL-1B00S070V	656.05
8	ATL-1B00S080V	688.82
10	ATL-1B00S100V	912.87
12	ATL-1B00S120V	1121.00



Mfg Prior to April 2005



Mfg April 2005 & after 7" & 8" Bore



Piston Seal Kits (6,7,8) Mfg April 2005 & after, Nitrile		
Bore Dia	Sales Part No	List Price
1-1/2	ATL-PH00LH015	\$21.90
2	ATL-PH00LH020	23.15
2-1/2	ATL-PH00LH025	27.51
3-1/4	ATL-PH00LH032	50.32
4	ATL-PH00LH040	59.86
5	ATL-PH00LH050	87.95
6	ATL-PH00LH060	131.62

Piston Seal Kits (6,7,9,10) Mfg April 2005 & after 7" & 8" Bores, Nitrile		
Bore Dia	Sales Part No	List Price
7	ATL-PH00KH070	\$530.13
8	ATL-PH00KH080	644.35

Piston Seal Kits (6,7,8) Mfg April 2005 & after, Fluorocarbon		
Bore Dia	Sales Part No	List Price
1-1/2	ATL-VH00LH015	\$77.01
2	ATL-VH00LH020	110.97
2-1/2	ATL-VH00LH025	127.78
3-1/4	ATL-VH00LH032	147.59
4	ATL-VH00LH040	337.49
5	ATL-VH00LH050	507.02
6	ATL-VH00LH060	596.16

Piston Seal Kits (6,7,9,10) Mfg April 2005 & after 7" & 8" Bores, Fluorocarbon		
Bore Dia	Sales Part No	List Price
7	ATL-PH00KH070	\$530.13
8	ATL-PH00KH080	644.35

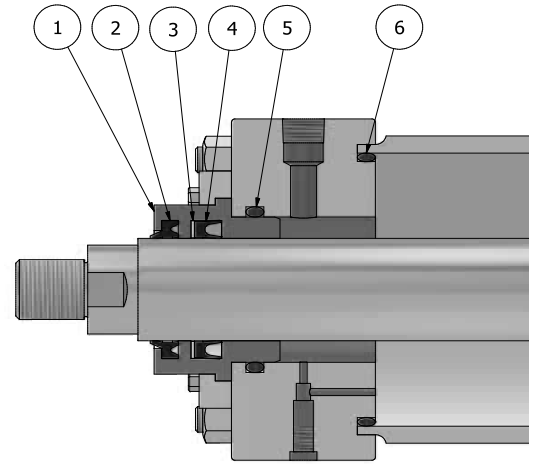
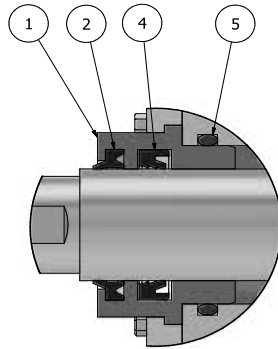
End Seal Kits (6,10) Mfr prior to April 2005, Nitrile		
Bore Dia	Sales Part No	List Price
1-1/2	ATL-1E00S015S	\$6.92
2	ATL-1E00S020S	8.86
2-1/2	ATL-1E00S025S	11.87
3-1/4	ATL-1E00S032S	22.18
4	ATL-1E00S040S	26.81
5	ATL-1E00S050S	32.14
6	ATL-1E00S060S	50.44
7	ATL-1E00S070S	106.87
8	ATL-1E00S080S	113.66
10	ATL-1E00S100S	206.67
12	ATL-1E00S120S	234.90

End Seal Kits (6,10) Mfr prior to April 2005 Fluorocarbon		
Bore Dia	Sales Part No	List Price
1-1/2	ATL-1E00S015V	\$10.27
2	ATL-1E00S020V	12.22
2-1/2	ATL-1E00S025V	14.68
3-1/4	ATL-1E00S032V	28.99
4	ATL-1E00S040V	31.36
5	ATL-1E00S050V	48.80
6	ATL-1E00S060V	52.69
7	ATL-1E00S070V	124.25
8	ATL-1E00S080V	145.00
10	ATL-1E00S100V	232.77
12	ATL-1E00S120V	267.96

Series L

Components	
1	Rod Gland
2	Rod Wiper
3	Rod Seal Back-Up
4	Rod Seal
5	Head Seal
6	End Seal
7	Piston Seal
8	Piston Seal Back-Up

Urethane Rod Kits



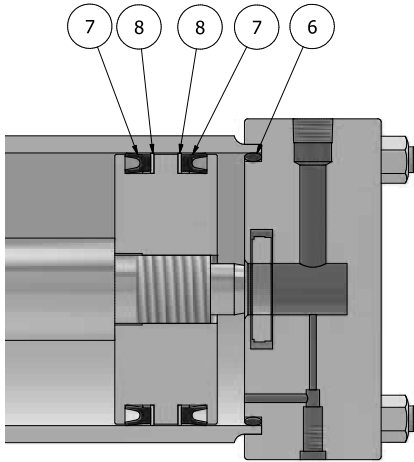
Rod Gland Kits (1,2,3,4,5) Nitrile		
Rod Dia	Sales Part No	List Price
5/8	ATL-4A06R000S	\$148.43
1	ATL-4A10R000S	174.68
1-3/8	ATL-4A13R000S	209.25
1-3/4	ATL-4A17R000S	246.68
2	ATL-4A20R000S	289.39
2-1/2	ATL-4A25R000S	329.18
3	ATL-4A30R000S	406.56

Rod Glands (1) Bronze		
Rod Dia	Sales Part No	List Price
5/8	ATL-RGAL-06	\$124.17
1	ATL-RGAL-10	139.45
1-3/8	ATL-RGAL-13	163.48
1-3/4	ATL-RGAL-17	190.90
2	ATL-RGAL-20	231.57
2-1/2	ATL-RGAL-25	261.45
3	ATL-RGAL-30	325.37

Rod Gland Kits (1,2,3,4,5) Fluorocarbon		
Rod Dia	Sales Part No	List Price
5/8	ATL-4A06R000V	\$197.10
1	ATL-4A10R000V	231.63
1-3/8	ATL-4A13R000V	239.05
1-3/4	ATL-4A17R000V	284.33
2	ATL-4A20R000V	332.75
2-1/2	ATL-4A25R000V	396.00
3	ATL-4A30R000V	479.44

Rod Seal Kits (2,3,4,5) Nitrile		
Rod Dia	Sales Part No	List Price
5/8	ATL-4A06S000S	\$16.92
3/4	ATL-4A07S000S	22.80
1	ATL-4A10S000S	16.94
1-3/8	ATL-4A13S000S	17.37
1-3/4	ATL-4A17S000S	21.89
2	ATL-4A20S000S	24.44
2-1/2	ATL-4A25S000S	33.28
3	ATL-4A30S000S	47.52
3-1/2	ATL-4A35S000S	51.98
4	ATL-4A40S000S	55.79
4-1/2	ATL-4A45S000S	68.14
5	ATL-4A50S000S	79.45

Rod Gland Kits (1,2,4,5) Urethane		
Rod Dia	Sales Part No	List Price
5/8	ATL-EA06R000S	\$154.62
1	ATL-EA10R000S	172.92
1-3/8	ATL-EA13R000S	198.75
1-3/4	ATL-EA17R000S	234.69
2	ATL-EA20R000S	287.98
2-1/2	ATL-EA25R000S	323.60
3	ATL-EA30R000S	430.98



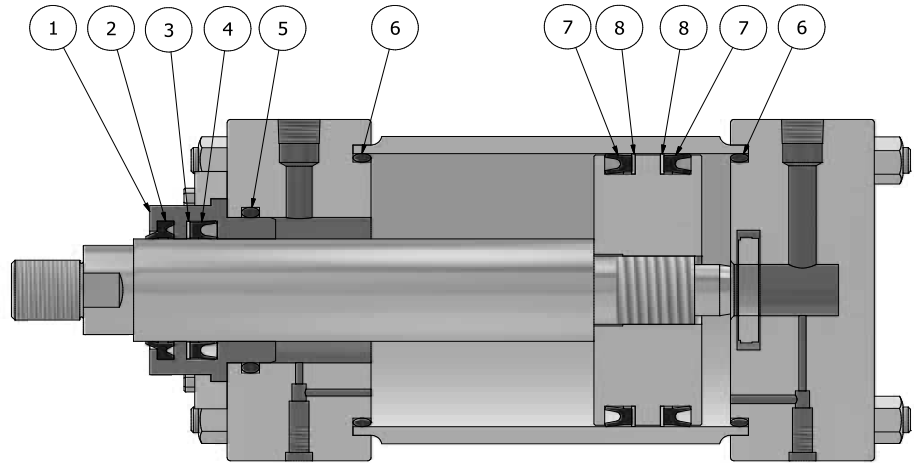
Rod Seal Kits (2,3,4,5) Fluorocarbon		
Rod Dia	Sales Part No	List Price
5/8	ATL-4A06S000V	\$46.98
3/4	ATL-4A07S000V	67.43
1	ATL-4A10S000V	48.45
1-3/8	ATL-4A13S000V	50.95
1-3/4	ATL-4A17S000V	57.11
2	ATL-4A20S000V	59.48
2-1/2	ATL-4A25S000V	75.19
3	ATL-4A30S000V	88.31
3-1/2	ATL-4A35S000V	109.82
4	ATL-4A40S000V	168.08
4-1/2	ATL-4A45S000V	189.53
5	ATL-4A50S000V	254.91

Piston Seal Kits (6,7,8) Nitrile		
Bore Dia	Sales Part No	List Price
7	ATL-4B00S070S	\$126.24
10	ATL-4B00S100S	203.86
12	ATL-4B00S120S	275.88
14	ATL-4B00S140S	427.14
1-1/2	ATL-EB00S015S	13.63
2	ATL-EB00S020S	16.25
2-1/2	ATL-EB00S025S	18.62
3-1/4	ATL-EB00S032S	22.60
4	ATL-EB00S040S	28.77
5	ATL-EB00S050S	34.83
6	ATL-EB00S060S	45.27
8	ATL-EB00S080S	143.20

Rod Seal Kits (2,4,5) Urethane		
Rod Dia	Sales Part No	List Price
5/8	ATL-EA06S000S	\$14.26
1	ATL-EA10S000S	15.35
1-3/8	ATL-EA13S000S	16.36
1-3/4	ATL-EA17S000S	19.15
2	ATL-EA20S000S	24.69
2-1/2	ATL-EA25S000S	28.21
3	ATL-EA30S000S	57.18
3-1/2	ATL-EA35S000S	82.80
4	ATL-EA40S000S	92.28
4-1/2	ATL-EA45S000S	102.61
5	ATL-EA50S000S	111.32

Piston Seal Kits (6,7,8) Fluorocarbon		
Bore Dia	Sales Part No	List Price
1-1/2	ATL-4B00S015V	\$62.63
2	ATL-4B00S020V	71.60
2-1/2	ATL-4B00S025V	99.18
3-1/4	ATL-4B00S032V	106.51
4	ATL-4B00S040V	126.31
5	ATL-4B00S050V	156.66
6	ATL-4B00S060V	215.44
7	ATL-4B00S070V	389.52
8	ATL-4B00S080V	469.62
10	ATL-4B00S100V	650.80
12	ATL-4B00S120V	1010.14
14	ATL-4B00S140V	1489.11

Series L (Continued)



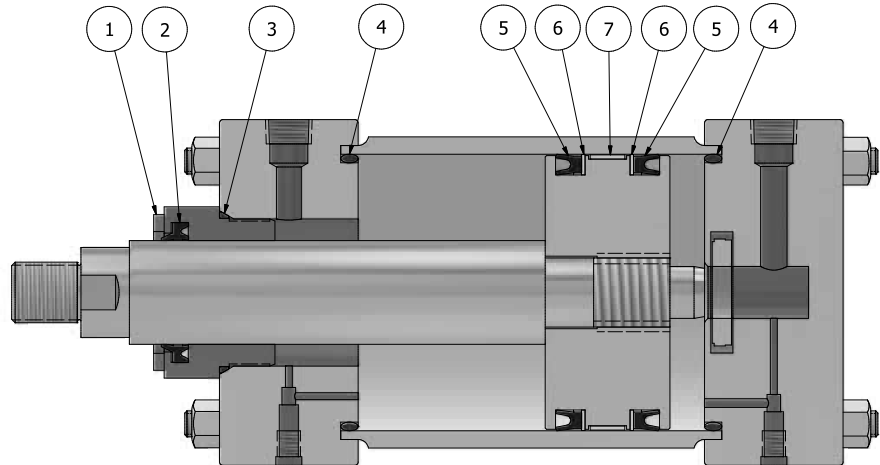
Components	
1	Rod Gland
2	Rod Wiper
3	Rod Seal Back-Up
4	Rod Seal
5	Head Seal
6	End Seal
7	Piston Seal
8	Piston Seal Back-Up

End Seal Kits (6) Nitrile		
Bore Dia	Sales Part No	List Price
1-1/2	ATL-4E00S015S	\$7.91
2	ATL-4E00S020S	8.40
2-1/2	ATL-4E00S025S	9.37
3-1/4	ATL-4E00S032S	9.49
4	ATL-4E00S040S	9.97
5	ATL-4E00S050S	11.64
6	ATL-4E00S060S	14.42
7	ATL-4E00S070S	14.62
8	ATL-4E00S080S	17.79
10	ATL-4E00S100S	20.64
12	ATL-4E00S120S	23.80
14	ATL-4E00S140S	120.41

End Seal Kits (6) Fluorocarbon		
Bore Dia	Sales Part No	List Price
1-1/2	ATL-4E00S015V	\$11.36
2	ATL-4E00S020V	19.31
2-1/2	ATL-4E00S025V	25.31
3-1/4	ATL-4E00S032V	29.56
4	ATL-4E00S040V	38.06
5	ATL-4E00S050V	53.57
6	ATL-4E00S060V	56.49
7	ATL-4E00S070V	79.84
8	ATL-4E00S080V	80.09
10	ATL-4E00S100V	89.18
12	ATL-4E00S120V	107.55
14	ATL-4E00S140V	215.95

Series 2LA

Components	
1	Rod Gland
2	Rod Wiper
3	Head Seal
4	End Seal
5	Piston Seal
6	Piston Seal Back-Up
7	Piston Wear Ring



Rod Gland Kits (1,2,3) Nitrile		
Rod Dia	Sales Part No	List Price
1/2	ATL-RG02MA0051	\$68.14
5/8	ATL-RG02MA0061	45.02
1	ATL-RG02MA0101	51.57
1-3/8	ATL-RG02MA0131	77.02
1-3/4	ATL-RG02MA0171	156.76

Rod Seal Kits (2,3) Fluorocarbon		
Rod Dia	Sales Part No	List Price
1/2	ATL-RK02MA0055	\$32.87
5/8	ATL-RK02MA0065	33.77
1	ATL-RK02MA0105	34.88
1-3/8	ATL-RK02MA0135	43.67
1-3/4	ATL-RK02MA0175	54.92

Rod Gland Kits (1,2,3) Fluorocarbon		
Rod Dia	Sales Part No	List Price
1/2	ATL-RG02MA0055	\$72.60
5/8	ATL-RG02MA0065	71.89
1	ATL-RG02MA0105	79.66
1-3/8	ATL-RG02MA0135	115.15
1-3/4	ATL-RG02MA0175	175.84

Piston Seal Kits (4,5,6,7) Nitrile		
Bore Dia	Sales Part No	List Price
1-1/2	ATL-PK1502MA01	\$40.99
2	ATL-PK2002MA01	41.55
2-1/2	ATL-PK2502MA01	44.56
3-1/4	ATL-PK3202MA01	53.57
4	ATL-PK4002MA01	65.67
5	ATL-PK5002MA01	84.97
6	ATL-PK6002MA01	113.61
8	ATL-PK8002MA01	200.57

Rod Glands (1) Bronze		
Rod Dia	Sales Part No	List Price
1/2	ATL-RG02MA0051	\$68.14
5/8	ATL-RG02MA0061	45.02
1	ATL-RG02MA0101	51.57
1-3/8	ATL-RG02MA0131	77.02
1-3/4	ATL-RG02MA0171	156.76

Piston Seal Kits (4,5,6,7) Fluorocarbon		
Bore Dia	Sales Part No	List Price
1-1/2	ATL-PK1502MA05	\$79.87
2	ATL-PK2002MA05	85.54
2-1/2	ATL-PK2502MA05	113.54
3-1/4	ATL-PK3202MA05	140.35
4	ATL-PK4002MA05	159.00
5	ATL-PK5002MA05	240.59
6	ATL-PK6002MA05	340.78
8	ATL-PK8002MA05	569.82

Rod Seal Kits (2,3) Nitrile		
Rod Dia	Sales Part No	List Price
1/2	ATL-RK02MA0051	\$21.99
5/8	ATL-RK02MA0061	22.67
1	ATL-RK02MA0101	23.25
1-3/8	ATL-RK02MA0131	24.88
1-3/4	ATL-RK02MA0171	26.58

ATLAS

ATLAS

Kit Number	Code	Rod Size	Bore Size	List Price	Kit Number	Code	Rod Size	Bore Size	List Price
ATL-1B00S015S	N-N-5		1-1/2	\$28.37	ATL-4A10S000V	I-U-1	1		\$48.45
ATL-1B00S015V	N-N-5		1-1/2	85.94	ATL-4A13R000S	I-U-1	1-3/8		209.25
ATL-1B00S020S	N-N-5		2	33.05	ATL-4A13R000V	I-U-1	1-3/8		239.05
ATL-1B00S020V	N-N-5		2	95.65	ATL-4A13S000S	I-U-1	1-3/8		17.37
ATL-1B00S025S	N-N-5		2-1/2	35.28	ATL-4A13S000V	I-U-1	1-3/8		50.95
ATL-1B00S025V	N-N-5		2-1/2	101.54	ATL-4A17R000S	I-U-1	1-3/4		246.68
ATL-1B00S032S	N-N-5		3-1/4	54.34	ATL-4A17R000V	I-U-1	1-3/4		284.33
ATL-1B00S032V	N-N-5		3-1/4	145.04	ATL-4A17S000S	I-U-1	1-3/4		21.89
ATL-1B00S040S	N-N-5		4	69.70	ATL-4A17S000V	I-U-1	1-3/4		57.11
ATL-1B00S040V	N-N-5		4	209.01	ATL-4A20R000S	I-U-1	2		289.39
ATL-1B00S050S	N-N-5		5	146.47	ATL-4A20R000V	I-U-1	2		332.75
ATL-1B00S050V	N-N-5		5	314.71	ATL-4A20S000S	I-U-1	2		24.44
ATL-1B00S060S	N-N-5		6	250.95	ATL-4A20S000V	I-U-1	2		59.48
ATL-1B00S060V	N-N-5		6	427.17	ATL-4A25R000S	I-U-1	2-1/2		329.18
ATL-1B00S070S	N-N-5		7	327.92	ATL-4A25R000V	I-U-1	2-1/2		396.00
ATL-1B00S070V	N-N-5		7	656.05	ATL-4A25S000S	I-U-1	2-1/2		33.28
ATL-1B00S080S	N-N-5		8	348.03	ATL-4A25S000V	I-U-1	2-1/2		75.19
ATL-1B00S080V	N-N-5		8	688.82	ATL-4A30R000S	I-U-1	3		406.56
ATL-1B00S100S	N-N-5		10	454.98	ATL-4A30R000V	I-U-1	3		479.44
ATL-1B00S100V	N-N-5		10	912.87	ATL-4A30S000S	I-U-1	3		47.52
ATL-1B00S120S	N-N-5		12	578.16	ATL-4A30S000V	I-U-1	3		88.31
ATL-1B00S120V	N-N-5		12	1121.00	ATL-4A35S000S	I-U-1	3-1/2		51.98
ATL-1E00S015S	Head Seal Kit		1-1/2	6.92	ATL-4A35S000V	I-U-1	3-1/2		109.82
ATL-1E00S015V	Head Seal Kit		1-1/2	10.27	ATL-4A40S000S	I-U-1	4		55.79
ATL-1E00S020S	Head Seal Kit		2	8.86	ATL-4A40S000V	I-U-1	4		168.08
ATL-1E00S020V	Head Seal Kit		2	12.22	ATL-4A45S000S	I-U-1	4-1/2		68.14
ATL-1E00S025S	Head Seal Kit		2-1/2	11.87	ATL-4A45S000V	I-U-1	4-1/2		189.53
ATL-1E00S025V	Head Seal Kit		2-1/2	14.68	ATL-4A50S000S	I-U-1	5		79.45
ATL-1E00S032S	Head Seal Kit		3-1/4	22.18	ATL-4A50S000V	I-U-1	5		254.91
ATL-1E00S032V	Head Seal Kit		3-1/4	28.99	ATL-4B00S015S	N-N-5		1-1/2	13.63
ATL-1E00S040S	Head Seal Kit		4	26.81	ATL-4B00S015V	N-N-5		1-1/2	62.63
ATL-1E00S040V	Head Seal Kit		4	31.36	ATL-4B00S020S	N-N-5		2	16.25
ATL-1E00S050S	Head Seal Kit		5	32.14	ATL-4B00S020V	N-N-5		2	71.60
ATL-1E00S050V	Head Seal Kit		5	48.80	ATL-4B00S025S	N-N-5		2-1/2	18.62
ATL-1E00S060S	Head Seal Kit		6	50.44	ATL-4B00S025V	N-N-5		2-1/2	99.18
ATL-1E00S060V	Head Seal Kit		6	52.69	ATL-4B00S032S	N-N-5		3-1/4	22.60
ATL-1E00S070S	Head Seal Kit		7	106.87	ATL-4B00S032V	N-N-5		3-1/4	106.51
ATL-1E00S070V	Head Seal Kit		7	124.25	ATL-4B00S040S	N-N-5		4	28.77
ATL-1E00S080S	Head Seal Kit		8	113.66	ATL-4B00S040V	N-N-5		4	126.31
ATL-1E00S080V	Head Seal Kit		8	145.00	ATL-4B00S050S	N-N-5		5	34.83
ATL-1E00S100S	Head Seal Kit		10	206.67	ATL-4B00S050V	N-N-5		5	156.66
ATL-1E00S100V	Head Seal Kit		10	232.77	ATL-4B00S060S	N-N-5		6	45.27
ATL-1E00S120S	Head Seal Kit		12	234.90	ATL-4B00S060V	N-N-5		6	215.44
ATL-1E00S120V	Head Seal Kit		12	267.96	ATL-4B00S070S	N-N-5		7	126.24
ATL-4A06R000S	I-U-1	5/8		148.43	ATL-4B00S070V	N-N-5		7	389.52
ATL-4A06R000V	I-U-1	5/8		197.10	ATL-4B00S080S	N-N-5		8	143.20
ATL-4A06S000S	I-U-1	5/8		16.92	ATL-4B00S080V	N-N-5		8	469.62
ATL-4A06S000V	I-U-1	5/8		46.98	ATL-4B00S100S	N-N-5		10	203.86
ATL-4A07S000S	I-U-1	3/4		22.80	ATL-4B00S100V	N-N-5		10	650.80
ATL-4A07S000V	I-U-1	3/4		67.43	ATL-4B00S120S	N-N-5		12	275.88
ATL-4A10R000S	I-U-1	1		74.68	ATL-4B00S120V	N-N-5		12	1010.14
ATL-4A10R000V	I-U-1	1		231.63	ATL-4B00S140S	N-N-5		14	427.14
ATL-4A10S000S	I-U-1	1		16.94	ATL-4B00S140V	N-N-5		14	1489.11

ATLAS

Kit Number	Code	Rod Size	Bore Size	List Price	Kit Number	Code	Rod Size	Bore Size	List Price
ATL-4E00S015S	Head Seal Kit		1-1/2	\$7.91	ATL-EB00S015S	N-N-5		1-1/2	\$13.63
ATL-4E00S015V	Head Seal Kit		1-1/2	11.36	ATL-EB00S020S	N-N-5		2	16.25
ATL-4E00S020S	Head Seal Kit		2	8.40	ATL-EB00S025S	N-N-5		2-1/2	18.62
ATL-4E00S020V	Head Seal Kit		2	19.31	ATL-EB00S032S	N-N-5		3-1/4	22.60
ATL-4E00S025S	Head Seal Kit		2-1/2	9.37	ATL-EB00S040S	N-N-5		4	28.77
ATL-4E00S025V	Head Seal Kit		2-1/2	25.31	ATL-EB00S050S	N-N-5		5	34.83
ATL-4E00S032S	Head Seal Kit		3-1/4	9.49	ATL-EB00S060S	N-N-5		6	45.27
ATL-4E00S032V	Head Seal Kit		3-1/4	29.56	ATL-4B00S070S	N-N-5		7	126.24
ATL-4E00S040S	Head Seal Kit		4	9.97	ATL-EB00S080S	N-N-5		8	143.20
ATL-4E00S040V	Head Seal Kit		4	38.06	ATL-HPK15-000	N-N-5		1-1/2	26.03
ATL-4E00S050S	Head Seal Kit		5	11.64	ATL-HPK20-000	N-N-5		2	29.18
ATL-4E00S050V	Head Seal Kit		5	53.57	ATL-HPK25-000	N-N-5		2-1/2	31.67
ATL-4E00S060S	Head Seal Kit		6	14.42	ATL-HPK35-000	N-N-5		3-1/4	47.43
ATL-4E00S060V	Head Seal Kit		6	56.49	ATL-HPK40-000	N-N-5		4	57.20
ATL-4E00S070S	Head Seal Kit		7	14.62	ATL-HPK50-000	N-N-5		5	71.09
ATL-4E00S070V	Head Seal Kit		7	79.84	ATL-HPK60-000	N-N-5		6	84.97
ATL-4E00S080S	Head Seal Kit		8	17.79	ATL-HPK80-000	N-N-5		8	172.90
ATL-4E00S080V	Head Seal Kit		8	80.09	ATL-HRK100	I-U-1	1		17.58
ATL-4E00S100S	Head Seal Kit		10	20.64	ATL-HRK137	I-U-1	1-3/8		20.39
ATL-4E00S100V	Head Seal Kit		10	89.18	ATL-HRK175	I-U-1	1-3/4		22.55
ATL-4E00S120S	Head Seal Kit		12	23.80	ATL-HRK200	I-U-1	2		24.17
ATL-4E00S120V	Head Seal Kit		12	107.55	ATL-HRK62	I-U-1	5/8		14.68
ATL-4E00S140S	Head Seal Kit		14	120.41	ATL-PH00KH070	N-N-10		7	530.13
ATL-4E00S140V	Head Seal Kit		14	215.95	ATL-PH00KH080	N-N-10		8	644.35
ATL-90030340-69	I-U-1	1-3/4		21.29	ATL-PH00LH015	N-N-5		1-1/2	21.90
ATL-90030340-79	I-U-1	1-3/8		23.80	ATL-PH00LH020	N-N-5		2	23.15
ATL-90030370-69	I-U-1	1-3/4		21.12	ATL-PH00LH025	N-N-5		2-1/2	27.51
ATL-90030370-79	I-U-1	1-3/8		19.52	ATL-PH00LH032	N-N-5		3-1/4	50.32
ATL-APK100-000	N-N-5		10	256.51	ATL-PH00LH040	N-N-5		4	59.86
ATL-APK20-000	N-N-5		2	22.21	ATL-PH00LH050	N-N-5		5	87.95
ATL-APK25-000	N-N-5		2-1/2	23.47	ATL-PH00LH060	N-N-5		6	131.62
ATL-APK40-000	N-N-5		4	64.57	ATL-PH06SH000	I-U-1	5/8		15.32
ATL-APK50-000	N-N-5		5	65.09	ATL-PH10SH000	I-U-1	1		16.54
ATL-APK60-000	N-N-5		6	76.73	ATL-PH13SH000	I-U-1	1-3/8		22.22
ATL-APK80-000	N-N-5		8	131.75	ATL-PH17SH000	I-U-1	1-3/4		22.44
ATL-EA06R000S	I-U-1	5/8		154.62	ATL-PH20SH000	I-U-1	2		30.69
ATL-EA06S000S	I-U-1	5/8		14.26	ATL-PH25SH000	I-U-1	2-1/2		38.25
ATL-EA10R000S	I-U-1	1		172.92	ATL-PH30SH000	I-U-1	3		40.60
ATL-EA10S000S	I-U-1	1		15.35	ATL-PH35SH000	I-U-1	3-1/2		78.55
ATL-EA13R000S	I-U-1	1-3/8		198.75	ATL-PK1502MA01	N-N-5		1-1/2	40.99
ATL-EA13S000S	I-U-1	1-3/8		16.36	ATL-PK1502MA05	N-N-5		1-1/2	79.87
ATL-EA17R000S	I-U-1	1-3/4		234.69	ATL-PK2002MA01	N-N-5		2	41.55
ATL-EA17S000S	I-U-1	1-3/4		19.15	ATL-PK2002MA05	N-N-5		2	85.54
ATL-EA20R000S	I-U-1	2		287.98	ATL-PK2502MA01	N-N-5		2-1/2	44.56
ATL-EA20S000S	I-U-1	2		24.69	ATL-PK2502MA05	N-N-5		2-1/2	113.54
ATL-EA25R000S	I-U-1	2-1/2		323.60	ATL-PK3202MA01	N-N-5		3-1/4	53.57
ATL-EA25S000S	I-U-1	2-1/2		28.21	ATL-PK3202MA05	N-N-5		3-1/4	140.35
ATL-EA30R000S	I-U-1	3		430.98	ATL-PK4002MA01	N-N-5		4	65.67
ATL-EA30S000S	I-U-1	3		57.18	ATL-PK4002MA05	N-N-5		4	159.00
ATL-EA35S000S	I-U-1	3-1/2		82.80	ATL-PK5002MA01	N-N-5		5	84.97
ATL-EA40S000S	I-U-1	4		92.28	ATL-PK5002MA05	N-N-5		5	240.59
ATL-EA45S000S	I-U-1	4-1/2		102.61	ATL-PK6002MA01	N-N-5		6	113.61
ATL-EA50S000S	I-U-1	5		111.32	ATL-PK6002MA05	N-N-5		6	340.78

ATLAS

Kit Number	Code	Rod Size	Bore Size	List Price
ATL-PK8002MA01	N-N-5		8	\$200.57
ATL-PK8002MA05	N-N-5		8	569.82
ATL-RGAL-06	Bronze Rod Gland	5/8		124.17
ATL-RGAL-10	Bronze Rod Gland	1		139.45
ATL-RGAL-13	Bronze Rod Gland	1-3/8		163.48
ATL-RGAL-17	Bronze Rod Gland	1-3/4		190.90
ATL-RGAL-20	Bronze Rod Gland	2		231.57
ATL-RGAL-25	Bronze Rod Gland	2-1/2		261.45
ATL-RGAL-30	Bronze Rod Gland	3		325.37
ATL-RG02MA0051	I-SP-1	1/2		68.14
ATL-RG02MA0055	I-SP-1	1/2		72.60
ATL-RG02MA0061	I-SP-1	5/8		45.02
ATL-RG02MA0065	I-SP-1	5/8		71.89
ATL-RG02MA0101	I-SP-1	1		51.57
ATL-RG02MA0105	I-SP-1	1		79.66
ATL-RG02MA0131	I-SP-1	1-3/8		77.02
ATL-RG02MA0135	I-SP-1	1-3/8		115.15
ATL-RG02MA0171	I-SP-1	1-3/4		156.76
ATL-RG02MA0175	I-SP-1	1-3/4		175.84
ATL-RG02MA-05	Bronze Rod Gland	1/2		50.58
ATL-RG02MA-06	Bronze Rod Gland	5/8		37.27
ATL-RG02MA-10	Bronze Rod Gland	1		46.65
ATL-RG02MA-13	Bronze Rod Gland	1-3/8		67.44
ATL-RG02MA-17	Bronze Rod Gland	1-3/4		106.22
ATL-RK02MA0051	I-SP-1	1/2		21.99
ATL-RK02MA0055	I-SP-1	1/2		32.87

Kit Number	Code	Rod Size	Bore Size	List Price
ATL-RK02MA0061	I-SP-1	5/8		\$22.67
ATL-RK02MA0065	I-SP-1	5/8		33.77
ATL-RK02MA0101	I-SP-1	1		23.25
ATL-RK02MA0105	I-SP-1	1		34.88
ATL-RK02MA0131	I-SP-1	1-3/8		24.88
ATL-RK02MA0135	I-SP-1	1-3/8		43.67
ATL-RK02MA0171	I-SP-1	1-3/4		26.58
ATL-RK02MA0175	I-SP-1	1-3/4		54.92
ATL-VH00KH070	N-N-1		7	536.25
ATL-VH00KH080	N-N-1		8	661.64
ATL-VH00LH015	N-N-5		1-1/2	77.01
ATL-VH00LH020	N-N-5		2	110.97
ATL-VH00LH025	N-N-5		2-1/2	127.78
ATL-VH00LH032	N-N-5		3-1/4	147.59
ATL-VH00LH040	N-N-5		4	337.49
ATL-VH00LH050	N-N-5		5	507.02
ATL-VH00LH060	N-N-5		6	596.16
ATL-VH06SH000	I-U-1	5/8		46.78
ATL-VH10SH000	I-U-1	1		66.00
ATL-VH13SH000	I-U-1	1-3/8		68.85
ATL-VH17SH000	I-U-1	1-3/4		81.64
ATL-VH20SH000	I-U-1	2		93.48
ATL-VH25SH000	I-U-1	2-1/2		151.10
ATL-VH30SH000	I-U-1	3		174.11
ATL-VH35SH000	I-U-1	3-1/2		242.05

HANNA

Various Kits

Kit Number	Code	Rod Size	Bore Size	List Price
HANNA-706-00046-061	I-U-1	0.625	-	\$16.27
HANNA-706-00046-133	P-U-1	1.375	-	161.33
HANNA-706-00046-171	I-U-1	1.75	-	30.69
HANNA-706-00046-301	I-U-1	3	-	29.66
HANNA-706-00046-351	I-U-1	3.5	-	48.10
HANNA-706-00046-451	I-U-1	4.5	-	54.93
HANNA-706-00046-551	I-U-1	5.5	-	93.06
HANNA-706-41806-001-CSK	I-U-10	56 mm	100 mm	133.00
HANNA-701-41364-012K	I-U-11	-	-	416.01
HANNA-706-00046-061	I-U-1	-	-	16.27
HANNA-706-00046-133	P-U-1	-	-	161.33
HANNA-706-00046-171	I-U-1	-	-	30.69
HANNA-706-00046-301	I-U-1	-	-	29.66
HANNA-706-00046-351	I-U-1	-	-	48.10
HANNA-706-00046-451	I-U-1	-	-	54.93
HANNA-706-00046-551	I-U-1	-	-	93.06

HUSKY

Various Kits

Kit Number	Code	Rod Size	Bore Size	List Price	Kit Number	Code	Rod Size	Bore Size	List Price
HUSKY-642443	I-U-10	1-3/8	2-1/2	\$26.41	HUSKY-656916	I-U-10	1	1-1/2	\$23.98
HUSKY-642565	I-U-10	1-3/4	4	64.36	HUSKY-688321	I-UB-10	50 mm	70 mm	180.20
HUSKY-642570	I-U-10	1	2-1/2	25.67	HUSKY-688322	I-UB-10	56 mm	80 mm	133.00
HUSKY-645387	I-U-10	2	3-1/4	32.85					

REPLACEMENT PARTS FOR HUSKY EQUIPMENT

NOTE: Husky part numbers are used as a reference only. We do not imply that these kits are original REPLACEMENT PARTS.

BACK-UP RINGS

Part Number	Min. Pkgs.	List Price
HUSKY-208752	5	\$1.38
HUSKY-210868	10	0.85
HUSKY-211856	1	2.59
HUSKY-636870	1	19.92
HUSKY-639080	10	0.69
HUSKY-639471	10	0.46
HUSKY-643287	1	1.56
HUSKY-643289	1	1.73
HUSKY-644593	10	0.75
HUSKY-652245	25	0.12
HUSKY-659890	5	0.52
HUSKY-660960	10	0.23
HUSKY-666955	5	0.92
HUSKY-681770	1	2.37
HUSKY-689925	25	0.12
HUSKY-2447123	1	0.12
HUSKY-6785820	1	1719.59

BUFFER SEALS

Part Number	List Price
HUSKY-700636	\$0.08
HUSKY-8670693	0.12
HUSKY-8673223	25.35

FACE SEALS

Part Number	List Price
HUSKY-606030	\$0.08

OIL SEALS

Part Number	List Price
HUSKY-246715	\$109.44

O-RINGS

Part Number	Min. Pkgs.	List Price
HUSKY-3871	20	\$0.18
HUSKY-5041	20	0.23
HUSKY-5062	50	0.05
HUSKY-5074	20	0.17
HUSKY-5100	20	0.14
HUSKY-8234	5	1.16
HUSKY-8919	20	0.23
HUSKY-9790	20	0.23
HUSKY-10883	50	0.12
HUSKY-10891	20	0.29
HUSKY-10907	10	0.52
HUSKY-11018	20	0.46
HUSKY-11021	10	0.64
HUSKY-11023	10	0.64
HUSKY-11024	10	0.64
HUSKY-11033	10	0.86
HUSKY-11039	5	1.21
HUSKY-11048	5	1.38
HUSKY-11050	5	1.50
HUSKY-203323	1	40.09
HUSKY-212506	1	86.70
HUSKY-217943	1	139.68
HUSKY-2239660	20	0.17
HUSKY-225984	1	158.04
HUSKY-3017944	1	118.66
HUSKY-35069	1	0.12
HUSKY-530532	20	0.17
HUSKY-607112	5	1.04
HUSKY-609266	1	4.54
HUSKY-620535	20	0.17
HUSKY-620793	1	6.65
HUSKY-622402	1	935.04
HUSKY-622403	1	1135.20
HUSKY-622729	5	0.69
HUSKY-622730	1	93.54
HUSKY-622731	5	1.78

O-RINGS

Part Number	Min. Pkgs.	List Price
HUSKY-622733	5	\$0.86
HUSKY-622761	1	3.27
HUSKY-622959	10	0.64
HUSKY-634016	1	3.03
HUSKY-636338	10	0.75
HUSKY-639087	10	0.75
HUSKY-639088	10	0.69
HUSKY-639470	20	0.40
HUSKY-640269	5	1.78
HUSKY-642050	1	4.09
HUSKY-642051	20	19.70
HUSKY-642053	1	11.29
HUSKY-642488	1	2.82
HUSKY-642490	1	3.16
HUSKY-642495	1	3.57
HUSKY-642497	1	6.02
HUSKY-642798	30	0.19
HUSKY-642799	20	0.17
HUSKY-642800	20	0.25
HUSKY-642801	20	0.32
HUSKY-642803	20	0.24
HUSKY-642808	15	0.54
HUSKY-642809	10	0.59
HUSKY-642811	10	0.96
HUSKY-642814	10	1.54
HUSKY-642820	3	2.08
HUSKY-642821	2	2.25
HUSKY-642822	3	1.58
HUSKY-10122812	1	123.64

HUSKY

PORT PLUGS

Part Number	List Price
HUSKY-603765	\$1.21
HUSKY-603766	1.38
HUSKY-603767	2.00
HUSKY-603769	2.37
HUSKY-603770	3.34
HUSKY-603772	8.16
HUSKY-603773	17.23
HUSKY-603774	12.15
HUSKY-603775	19.86
HUSKY-685309	1.21

WEAR RINGS

Part Number	List Price
HUSKY-653888	\$762.00
HUSKY-653889	6.74
HUSKY-653897	8.58
HUSKY-653898	720.00
HUSKY-2424908	613.80
HUSKY-5311683	1182.42
HUSKY-5420283	539.28
HUSKY-667148	4.78
HUSKY-681724	13.36
HUSKY-681761	8.07

PISTON SEALS

Part Number	List Price
HUSKY-691641	\$528.00
HUSKY-8673469	17.28
HUSKY-8673509	32.61

WIPERS

Part Number	List Price
HUSKY-604254	\$1.67
HUSKY-2509499-1440	154.50
HUSKY-2509499-STRIP	30.90
HUSKY-2954987	24.07

ROD SEALS

Part Number	List Price
HUSKY-622726	\$510.00
HUSKY-7527631	6.62
HUSKY-3042540	1013.82
HUSKY-4785248	1340.93
HUSKY-5311641	2002.92
HUSKY-5311656	1703.52
HUSKY-5311699	1518.45

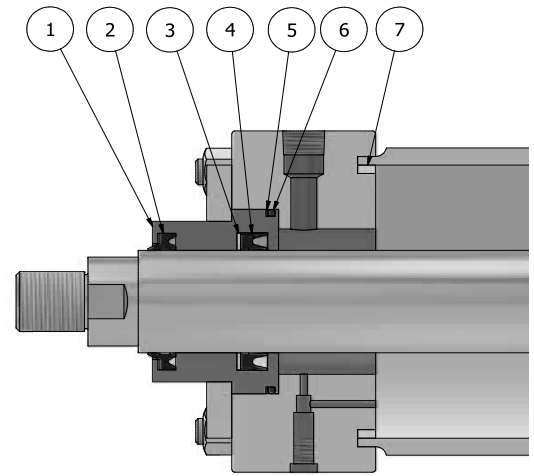
HYDRO-LINE

Kit Type		Page
Universal Series	Rod Gland Kits	40
	Rod Seal Kits	40
	Rod Glands	41
	Piston Seal Kits	41
A5 HA5 Series	Rod Seal Kits	42
	Piston Seal Kits	43
	End Seal Kits	43
N2 Series	Rod Seal Kits	44
	Piston Seal Kits	45
	End Seal Kits	45
N5 Series	Rod Gland Kits	46
	Rod Seal Kits	46
	Piston Seal Kits	47
	End Seal Kits	47
R2 & LR2 Series	Rod Seal Kits	48
	Piston Kits	49
	End Seal Kits	49
R5 & HR5 Series	Rod Seal Kits	50
	Piston Seal Kits	51
	End Seal Kits	51
Repair Kits	By Part Number	52-59

Universal Series

Rod Kits for A5, N2, N5, R2, & R5 cylinders
 cylinders

Piston Kits for N2 & N5 cylinders



Components

1	Rod Gland
2	Rod Wiper
3	Rod Seal Back-Up
4	Rod Seal
5	Head Seal Back-Up
6	Head Seal
7	End Seal
8	Piston Seal
9	Piston Seal Back-Up

Rod Gland Kits (1,2,3,4,5,6) Nitrile

Rod Dia	Sales Part No	List Price
5/8	HN5-665-05	\$224.67
1	HN5-665-08	278.90
1-3/8	HN5-665-11	298.34
1-3/4	HN5-665-14	346.87
2	HN5-665-16	361.15
2-1/2	HN5-665-20	391.94
3	HN5-665-24	590.47
3-1/2	HN5-665-28	691.29
4	HN5-665-32	766.19
4-1/2	HN5-665-36	1084.47
4-1/2	HN5-665-36A	1084.47
5	HN5-665-40	1304.92
5-1/2	HN5-665-44	1416.02

Rod Seal Kits (2,3,4,5,6) Nitrile

Rod Dia	Sales Part No	List Price
5/8	HSKN25-665-05	\$19.39
1	HSKN25-665-08	20.16
1-3/8	HSKN25-665-11	25.72
1-3/4	HSKN25-665-14	32.51
2	HSKN25-665-16	36.32
2-1/2	HSKN25-665-20	43.44

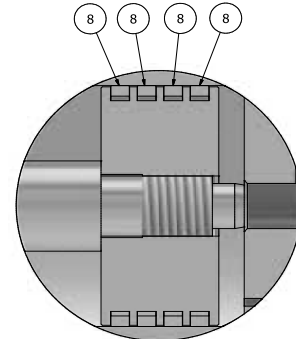
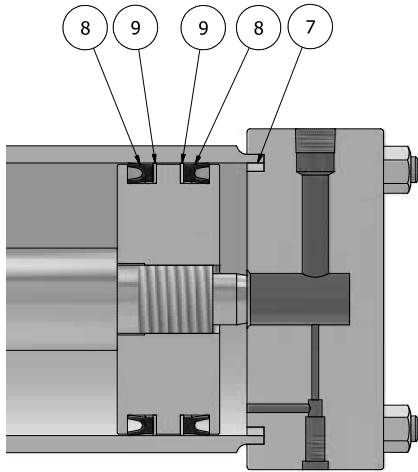
Rod Gland Kits (1,2,3,4,5,6) Fluorocarbon

Rod Dia	Sales Part No	List Price
5/8	HN5-665-05V	\$256.08
1	HN5-665-08V	312.96
1-3/1	HN5-665-11V	342.11
1-3/4	HN5-665-14V	389.18
2	HN5-665-16V	407.13
2-1/2	HN5-665-20V	437.86
3	HN5-665-24V	665.41
3-1/2	HN5-665-28V	753.05
4	HN5-665-32V	856.43
4-1/2	HN5-665-36AV	1170.8
4-1/2	HN5-665-36V	1170.8
5	HN5-665-40V	1417.08
5-1/2	HN5-665-44V	1571.45

Rod Seal Kits (2,3,4,5,6) Fluorocarbon

Rod Dia	Sales Part No	List Price
5/8	HSKN25-665-05V	\$67.20
1	HSKN25-665-08V	69.91
1-3/8	HSKN25-665-11V	88.79
1-3/4	HSKN25-665-14V	99.68
2	HSKN25-665-16V	105.62
2-1/2	HSKN25-665-20V	120.18

HYDROLINE



Cast Iron Piston Kits

Rod Glands (1), includes spacer Iron		
Rod Dia	Sales Part No	List Price
5/8	HN5-655-05	\$186.01
1	HN5-655-08	237.55
1-3/8	HN5-655-11	249.43
1-3/4	HN5-655-14	287.65
2	HN5-655-16	300.69
2-1/2	HN5-655-20	323.71
3	HN5-655-24	482.03
3-1/2	HN5-655-28	564.67
4	HN5-655-32	619.73
4-1/2	HN5-655-36	881.44
4-1/2	HN5-655-36A	881.44
5	HN5-655-40	1074.22
5-1/2	HN5-655-44	1156.89

Rod Glands (1) Bronze		
Rod Dia	Sales Part No	List Price
5/8	HN5-B-650-05	\$181.88
1	HN5-B-650-08	194.89
1-3/8	HN5-B-650-11	229.41
1-3/4	HN5-B-650-14	264.73
2	HN5-B-650-16	273.73
2-1/2	HN5-B-650-20	344.83
3	HN5-B-650-24	367.35
3-1/2	HN5-B-650-28	651.91
4	HN5-B-650-32	700.72
4-1/2	HN5-B-650-36	965.44
4-1/2	HN5-B-650-36A	759.57
5	HN5-B-650-40	1060.73
5-1/2	HN5-B-650-44	1107.37

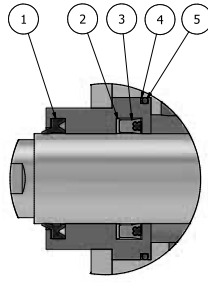
Piston Seal Kits (7,8,9) Nitrile		
Bore Dia	Sales Part No	List Price
1-1/2	HSKN25-512-03	\$65.98
2	HSKN25-512-04	74.03
2-1/2	HSKN25-512-05	77.19
3-1/4	HSKN25-512-065	100.81
4	HSKN25-512-08	118.67
5	HSKN25-512-10	155.43
6	HSKN25-512-12	176.52
7	HSKN25-512-14	209.16
8	HSKN25-512-16	295.51

Piston Seal Kits (7,8,9) Fluorocarbon		
Bore Dia	Sales Part No	List Price
1-1/2	HSKN25-512-03V	\$129.89
2	HSKN25-512-04V	188.67
2-1/2	HSKN25-512-05V	203.38
3-1/4	HSKN25-512-065V	216.22
4	HSKN25-512-08V	266.95
5	HSKN25-512-10V	293.93
6	HSKN25-512-12V	435.76
7	HSKN25-512-14V	523.26
8	HSKN25-512-16V	433.61

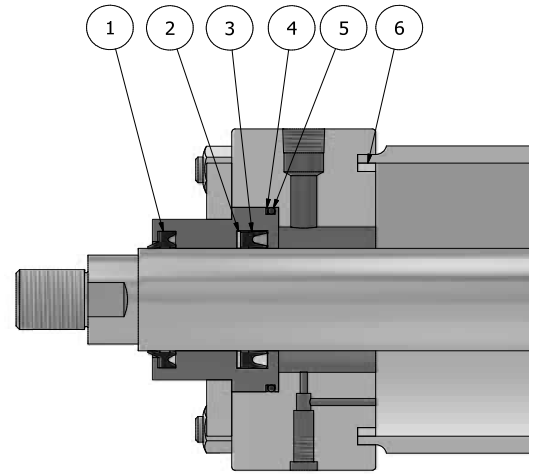
Piston Seal Kits (7,8) Cast Iron		
Bore Dia	Sales Part No	List Price
1-1/2	HSKN25-511-03	\$178.08
2	HSKN25-511-04	199.26
2-1/2	HSKN25-511-05	203.04
3-1/4	HSKN25-511-065	213.34
4	HSKN25-511-08	240.49
5	HSKN25-511-10	285.67
6	HSKN25-511-12	315.72
7	HSKN25-511-14	315.40

A5 HA5 Series

Components	
1	Rod Wiper
2	Rod Seal Back-Up
3	Rod Seal
4	Head Seal Back-Up
5	Head Seal
6	End Seal
7	Piston Seal



HA5 Flurocarbon Rod Seal Kits



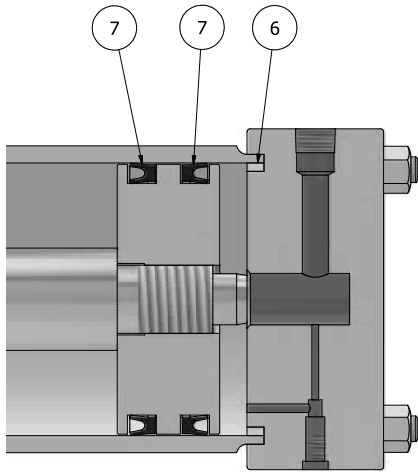
A5 Rod Seal Kits (1,2,3,4,5) Nitrile		
Rod Dia	Sales Part No	List Price
5/8	HSKN5-660-05	\$16.73
1	HSKN5-660-08	16.99
1-3/8	HSKN5-660-11	21.30

HA5 Rod Seal Kits (1,3,4,5) Urethane		
Rod Dia	Sales Part No	List Price
5/8	HSKN5-681-05	\$28.15
1	HSKN5-681-08	30.87
1-3/8	HSKN5-681-11	34.43

A5 Rod Seal Kits (1,2,3,4,5) Fluorocarbon		
Rod Dia	Sales Part No	List Price
5/8	HSKN5-660-05V	\$60.00
1	HSKN5-660-08V	63.04
1-3/8	HSKN5-660-11V	82.38

HA5 Rod Seal Kits (1,2,3,4,5) Fluorocarbon		
Rod Dia	Sales Part No	List Price
5/8	HSKN5-660-P-05V	\$100.94
1	HSKN5-660-P-08V	114.57
1-3/8	HSKN5-660-P-11V	140.39

HYDROLINE



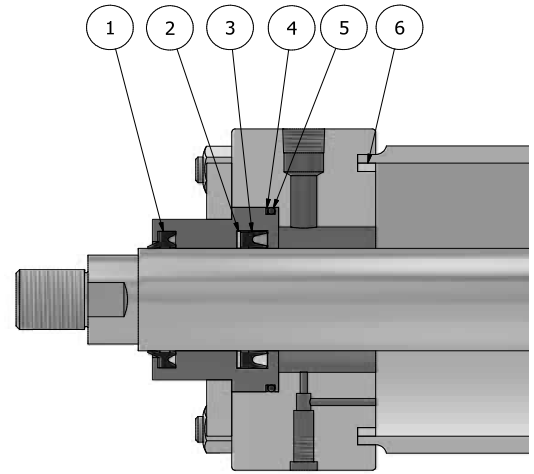
Piston Seal Kits (6,7) Nitrile		
Bore Dia	Sales Part No	List Price
1-1/2	HSKA5-512-03	\$43.99
2	HSKA5-512-04	46.87
2-1/2	HSKA5-512-05	50.46
3-1/4	HSKA5-512-065	54.42
4	HSKA5-512-08	63.39
5	HSKA5-512-10	79.20
6	HSKA5-512-12	93.25

End Seal Kits (6) PTFE		
Bore	Sales Part No	List Price
1-1/2	HS-C221-03	\$12.55
2	HS-C221-04	13.67
2-1/2	HS-C221-05	15.08
3-1/4	HS-C221-065	16.28
4	HS-C221-08	18.38
5	HS-C221-10	24.87
6	HS-C221-12	32.00

Piston Seal Kits (6,7) Fluorocarbon		
Bore Dia	Sales Part No	List Price
1-1/2	HSKA5-512-03V	\$88.97
2	HSKA5-512-04V	92.18
2-1/2	HSKA5-512-05V	108.70
3-1/4	HSKA5-512-065V	122.59
4	HSKA5-512-08V	133.24
5	HSKA5-512-10V	156.26
6	HSKA5-512-12V	255.71

HYDROLINE

N2 Series



Components

Components	
1	Rod Wiper
2	Rod Seal Back-Up
3	Rod Seal
4	Head Seal Back-Up
5	Head Seal
6	End Seal
7	Piston Seal
8	Piston Seal Back-Up

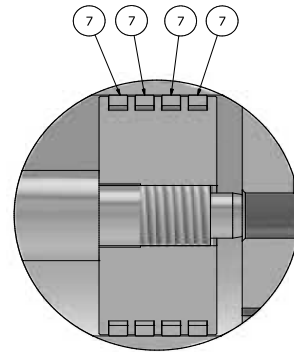
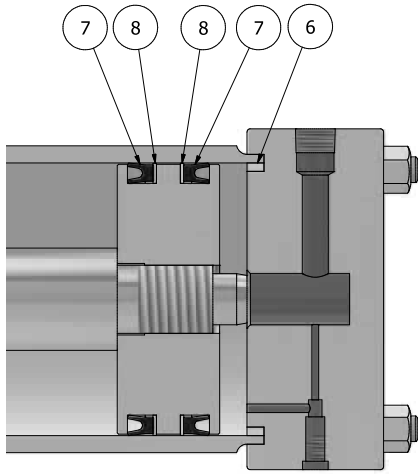
Rod Seal Kits (1,2,3,4,5) Nitrile

Rod Dia	Sales Part No	List Price
5/8	HSKN2-661-05	\$16.77
1	HSKN2-661-08	16.65
1-3/8	HSKN2-661-11	20.32
1-3/4	HSKN2-661-14	23.86
2	HSKN2-661-16	26.42
2-1/2	HSKN2-661-20	39.64
3	HSKN5-660-24	34.43
3-1/2	HSKN5-660-28	37.75
4	HSKN5-660-32	47.37
4-1/2	HSKN5-660-36	51.02
5	HSKN5-660-40	75.55
5-1/2	HSKN5-660-44	103.00

Rod Seal Kits (1,2,3,4,5) Fluorocarbon

Rod Dia	Sales Part No	List Price
5/8	HSKN2-661-05V	\$62.08
1	HSKN2-661-08V	65.92
1-3/8	HSKN2-661-11V	73.44
1-3/4	HSKN2-661-14V	86.10
2	HSKN2-661-16V	90.93
2-1/2	HSKN2-661-20V	101.48
3	HSKN5-660-24V	133.96
3-1/2	HSKN5-660-28V	156.51
4	HSKN5-660-32V	163.56
4-1/2	HSKN5-660-36V	172.66
5	HSKN5-660-40V	207.55
5-1/2	HSKN5-660-44V	234.39

HYDROLINE



Cast Iron Piston Kits

Piston Seal Kits (6,7,8) Nitrile		
Bore Dia	Sales Part No	List Price
1-1/2	HSKN2-512-03	\$56.14
2	HSKN2-512-04	68.04
2-1/2	HSKN2-512-05	73.44
3-1/4	HSKN2-512-065	70.58
4	HSKN2-512-08	84.81
5	HSKN2-512-10	108.95
6	HSKN2-512-12	122.43
7	HSKN2-512-14	186.95
8	HSKN2-512-16	236.76
10	HSKN2-512-20	266.23
12	HSKN2-512-24	418.48

Piston Seal Kits (6,7) Cast Iron		
Bore Dia	Sales Part No	List Price
1-1/2	HSKN2-511-03	\$139.38
2	HSKN2-511-04	158.89
2-1/2	HSKN2-511-05	161.45
3-1/4	HSKN2-511-065	170.45
4	HSKN2-511-08	191.88
5	HSKN2-511-10	233.49
6	HSKN2-511-12	246.58
7	HSKN2-511-14	276.20
8	HSKN2-511-16	339.58
10	HSKN2-511-20	709.19
12	HSKN2-511-24	959.33

Piston Seal Kits (6,7,8) Fluorocarbon		
Bore Dia	Sales Part No	List Price
1-1/2	HSKN2-512-03V	\$109.25
2	HSKN2-512-04V	143.45
2-1/2	HSKN2-512-05V	152.50
3-1/4	HSKN2-512-065V	173.32
4	HSKN2-512-08V	205.02
5	HSKN2-512-10V	227.03
6	HSKN2-512-12V	301.61
7	HSKN2-512-14V	444.30
8	HSKN2-512-16V	490.79
10	HSKN2-512-20V	913.05
12	HSKN2-512-24V	1353.75

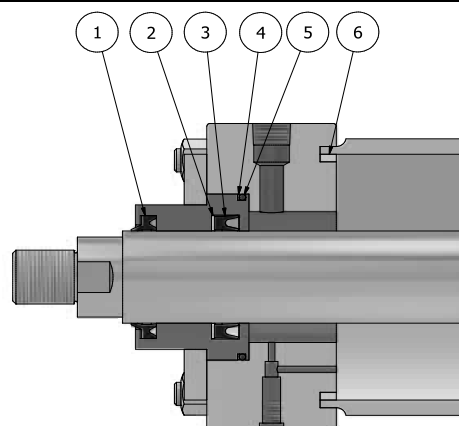
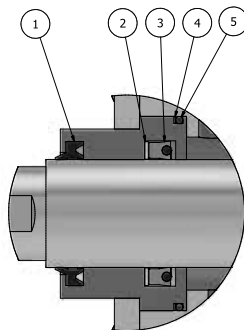
End Seal Kits (6) PTFE		
Bore Dia	Sales Part No	List Price
1-1/2	HS-C124-03	\$15.45
2	HS-C124-04	18.76
2-1/2	HS-C124-05	21.73
3-1/4	HS-C124-065	27.48
4	HS-C124-08	29.55
5	HS-C124-10	32.51
6	HS-C124-12	33.57
7 & UP	HS-C124-STRIP*	23.24

*Sold by the foot

HYDROLINE

N5 Series

Rod Seal Kit, Loaded U-Seal



Rod Seal Kits (1,2,3,4,5) Nitrile

Rod Dia	Sales Part No	List Price
5/8	HSKN5-660-05	\$16.73
1	HSKN5-660-08	16.99
1-3/8	HSKN5-660-11	21.30
1-3/4	HSKN5-660-14	26.86
2	HSKN5-660-16	30.10
2-1/2	HSKN5-660-20	33.09
3	HSKN5-660-24	34.43
3-1/2	HSKN5-660-28	37.75
4	HSKN5-660-32	47.37
4-1/2	HSKN5-660-36	51.02
5	HSKN5-660-40	75.55
5-1/2	HSKN5-660-44	103.00

Rod Seal Kits (1,2,3,4,5) Fluorocarbon

Rod Dia	Sales Part No	List Price
5/8	HSKN5-660-05V	\$60.00
1	HSKN5-660-08V	63.04
1-3/8	HSKN5-660-11V	82.38
1-3/4	HSKN5-660-14V	85.43
2	HSKN5-660-16V	91.03
2-1/2	HSKN5-660-20V	102.73
3	HSKN5-660-24V	133.96
3-1/2	HSKN5-660-28V	156.51
4	HSKN5-660-32V	163.56
4-1/2	HSKN5-660-36V	172.66
5	HSKN5-660-40V	207.55
5-1/2	HSKN5-660-44V	234.39

Rod Seal Kits (1,2,3,4,5), Urethane Loaded U-Seal

Rod Dia	Sales Part No	List Price
1/2	HSKN5-660-P-04	\$23.69
1	HSKN5-660-P-08	26.30
1-3/4	HSKN5-660-P-14	32.65
2-1/2	HSKN5-660-P-20	49.13
3-1/2	HSKN5-660-P-28	60.42

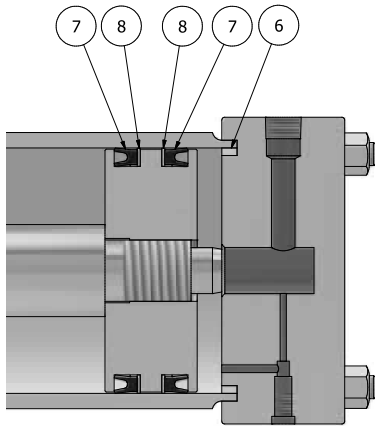
Rod Seal Kits (1,3,4,5) Urethane

Rod Dia	Sales Part No	List Price
5/8	HSKN5-681-05	\$28.15
1	HSKN5-681-08	30.87
1-3/8	HSKN5-681-11	34.43
1-3/4	HSKN5-681-14	36.82
2	HSKN5-681-16	47.94
2-1/2	HSKN5-681-20	67.49
3	HSKN5-681-24	73.58
3-1/2	HSKN5-681-28	80.59
4	HSKN5-681-32	94.50
4-1/2	HSKN5-681-36	124.15
5	HSKN5-681-40	130.05
5-1/2	HSKN5-681-44	154.74

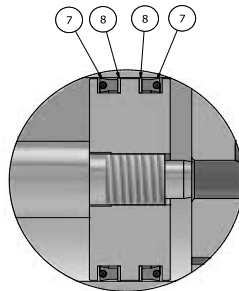
Rod Seal Kits (1,2,3,4,5) Fluorocarbon Loaded U-Seal

Rod Dia	Sales Part No	List Price
5/8	HSKN5-660-P-05V	\$100.94
1	HSKN5-660-P-08V	114.57
1-3/8	HSKN5-660-P-11V	140.39
1-3/4	HSKN5-660-P-14V	154.69
2	HSKN5-660-P-16V	161.12
2-1/2	HSKN5-660-P-20V	234.92
3	HSKN5-660-P-24V	270.57
3-1/2	HSKN5-660-P-28V	302.09
4	HSKN5-660-P-32V	364.86
4-1/2	HSKN5-660-P-36V	391.32
5	HSKN5-660-P-40V	401.16
5-1/2	HSKN5-660-P-44V	410.12

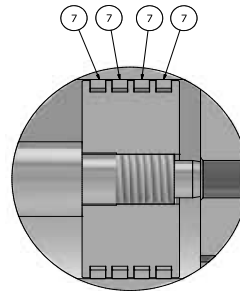
HYDROLINE



Loaded U-Seal Piston Kits



Cast Iron Piston Kits



Components

1	Rod Wiper
2	Rod Seal Back-Up
3	Rod Seal
4	Head Seal Back-Up
5	Head Seal
6	End Seal
7	Piston Seal
8	Piston Seal Back-Up

Piston Seal Kits (6,7,8) Nitrile

Bore Dia	Sales Part No	List Price
1-1/2	HSKN5-512-03	\$43.63
2	HSKN5-512-04	60.00
2-1/2	HSKN5-512-05	64.19
3-1/4	HSKN5-512-065	70.58
4	HSKN5-512-08	84.61
5	HSKN5-512-10	103.16
6	HSKN5-512-12	107.35
7	HSKN5-512-14	203.04
8	HSKN5-512-16	284.83
10	HSKN2-512-20	266.23
12	HSKN2-512-24	418.48

Piston Seal Kits (6,7) Cast Iron

Bore Dia	Sales Part No	List Price
1.530	HSKN5-511-03	\$138.46
2.030	HSKN5-511-04	150.92
2.530	HSKN5-511-05	152.14
3.280	HSKN5-511-065	156.80
4.030	HSKN5-511-08	179.67
5.030	HSKN5-511-10	218.74
6.030	HSKN5-511-12	246.58
7.030	HSKN5-511-14	291.40
8.030	HSKN5-511-16	369.78
10.030	HSKN2-511-20	709.19
12.030	HSKN2-511-24	959.33

Piston Seal Kits (6,7,8) Fluorocarbon

Bore Dia	Sales Part No	List Price
1-1/2	HSKN5-512-03V	\$108.35
2	HSKN5-512-04V	149.94
2-1/2	HSKN5-512-05V	152.50
3-1/4	HSKN5-512-065V	159.27
4	HSKN5-512-08V	206.15
5	HSKN5-512-10V	242.06
6	HSKN5-512-12V	286.59
7	HSKN5-512-14V	409.00
8	HSKN5-512-16V	460.52
10	HSKN2-512-20V	913.05
12	HSKN2-512-24V	1353.75

End Seal Kits (6) PTFE

Bore Dia	Sales Part No	List Price
1-1/2	HS-C255-03	\$16.58
2	HS-C255-04	19.16
2-1/2	HS-C255-05	20.22
3-1/4	HS-C255-065	20.83
4	HS-C255-08	23.64
5	HS-C255-10	25.16
6	HS-C255-12	26.25
7	HS-C255-14	27.48
8	HS-C255-16	31.98
7 & UP	HS-C124-STRIP*	23.24

*Sold by the foot

Piston Seal Kits (6,7,8) Urethane Loaded U-Seal

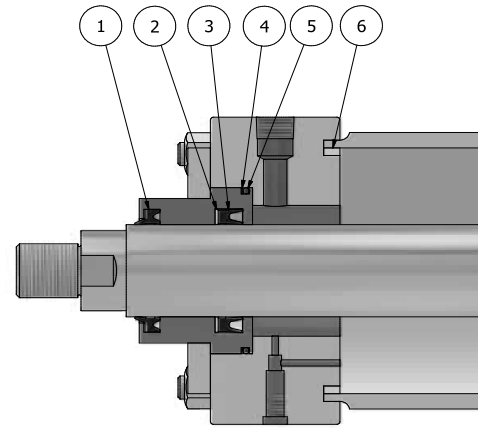
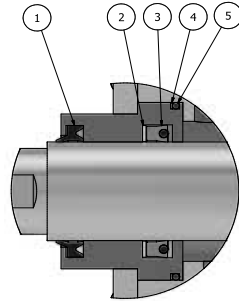
Rod Dia	Sales Part No	List Price
2-1/2	HSKN5-512-P-05	\$73.10
8	HSKN5-512-P-16	365.97

HYDROLINE

R2 & LR2 Series

Components	
1	Rod Wiper
2	Rod Seal Back-Up
3	Rod Seal
4	Head Seal Back-Up
5	Head Seal
6	End Seal
7	Piston Seal
8	Piston Seal Back-Up

Rod Seal Kits, Loaded U-Seal



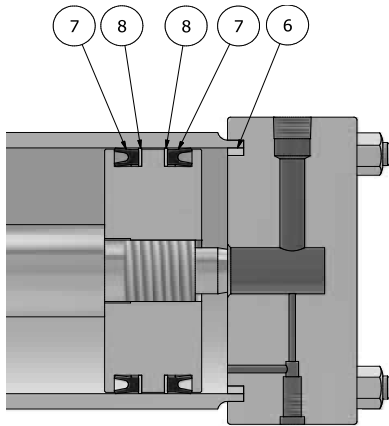
Rod Seal Kits (1,2,3,4,5) Nitrile			
Rod Dia	Bore Dia	Sales Part No	List Price
5/8	1	HSKR2-662-05A	\$14.69
5/8	1.5 & Up	HSKN2-661-05	16.77
1	1.5, 2, 2.5	HSKR2-662-08	16.03
1	3.25 & Up	HSKN2-661-08	16.65
1-3/8	2, 2.5	HSKR2-662-11	19.52
1-3/8	3.25 & Up	HSKN2-661-11	20.32
1-3/4	2.5	HSKR2-662-14	23.99
1-3/4	3.25 & Up	HSKN2-661-14	23.86
2	All	HSKN2-661-16	26.42
2-1/2	All	HSKN2-661-20	39.64
3	All	HSKN5-660-24	34.43
3-1/2	All	HSKN5-660-28	37.75
4	All	HSKN5-660-32	47.37
4-1/2	All	HSKN5-660-36	51.02
5	All	HSKN5-660-40	75.55
5-1/2	All	HSKN5-660-44	103.00

Rod Seal Kits (1,2,3,4,5) Fluorocarbon			
Rod Dia	Bore Dia	Sales Part No	List Price
5/8	1	HSKR2-662-05AV	\$61.96
5/8	1.5 & Up	HSKN2-661-05V	62.08
1	1.5, 2, 2.5	HSKR2-662-08V	63.21
1	3.25 & Up	HSKN2-661-08V	65.92
1-3/8	2, 2.5	HSKR2-662-11V	81.47
1-3/8	3.25 & Up	HSKN2-661-11V	73.44
1-3/4	2.5	HSKR2-662-14V	83.70
1-3/4	3.25 & Up	HSKN2-661-14V	86.10
2	All	HSKN2-661-16V	90.93
2-1/2	All	HSKN2-661-20V	101.48
3	All	HSKN5-660-24V	133.96
3-1/2	All	HSKN5-660-28V	156.51
4	All	HSKN5-660-32V	163.56
4-1/2	All	HSKN5-660-36V	172.66
5	All	HSKN5-660-40V	207.55
5-1/2	All	HSKN5-660-44V	234.39

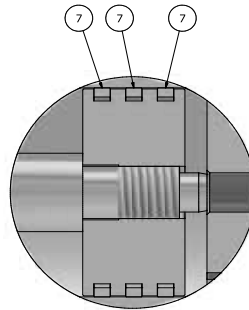
Rod Seal Kits (1,3,4,5) Urethane			
Rod Dia	Bore Dia	Sales Part No	List Price
5/8	1	HSKR2-681-05A	\$24.59
1	1.5, 2, 2.5	HSKR2-681-08	30.52
1-3/8	2, 2.5	HSKR2-681-11	30.87
1-3/4	2.5	HSKR2-681-14	32.25

Rod Seal Kits (1,2,3,4,5) Fluorocarbon Loaded U-Seal			
Rod Dia	Bore Dia	Sales Part No	List Price
5/8	1	HSKR2-662-P-05AV	\$95.58
1	1.5, 2, 2.5	HSKR2-662-P-08V	115.53
1-3/8	2, 2.5	HSKR2-662-P-11V	138.66
1-3/4	2.5	HSKR2-662-P-14V	155.29

HYDROLINE



Cast Iron Piston Kits



Piston Seal Kits (6,7,8) Nitrile		
Bore Dia	Sales Part No	List Price
1	HSKR5-512-02	\$45.02
1-1/2	HSKR5-512-03	47.55
2	HSKR5-512-04	52.04
2-1/2	HSKR5-512-05	56.83
3-1/4	HSKR5-512-065	63.04
4	HSKR5-512-08	73.92
5	HSKR5-512-10	93.63
6	HSKR5-512-12	104.49
8	HSKR5-512-16	271.82
10	HSKR5-512-20	266.23
12	HSKR5-512-24	418.48
14	HSKR5-512-28	601.99

Piston Seal Kits (6,7) Cast Iron		
Bore Dia	Sales Part No	List Price
1	HSKR5-511-02	\$150.00
1-1/2	HSKR5-511-03	100.62
2	HSKR5-511-04	103.63
2-1/2	HSKR5-511-05	105.33
3-1/4	HSKR5-511-065	121.94
4	HSKR5-511-08	137.43
5	HSKR5-511-10	177.74
6	HSKR5-511-12	197.00
8	HSKR5-511-16	231.89
10	HSKR5-511-20	660.52
12	HSKR5-511-24	918.98

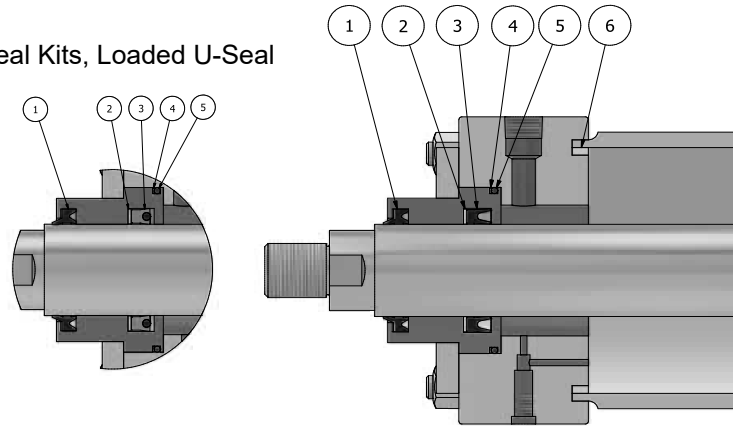
Piston Seal Kits (6,7,8) Fluorocarbon		
Bore Dia	Sales Part No	List Price
1	HSKR5-512-02V	\$96.11
1-1/2	HSKR5-512-03V	100.62
2	HSKR5-512-04V	141.96
2-1/2	HSKR5-512-05V	145.12
3-1/4	HSKR5-512-065V	151.86
4	HSKR5-512-08V	195.22
5	HSKR5-512-10V	217.44
6	HSKR5-512-12V	283.75
8	HSKR5-512-16V	538.62
10	HSKR5-512-20V	913.05
12	HSKR5-512-24V	1307.97
14	HSKR5-512-28V	1427.05

End Seal Kits (6) PTFE		
Bore Dia	Sales Part No	List Price
1	HS-C221-02	\$11.71
1-1/2	HS-C221-03	12.55
2	HS-C221-04	13.67
2-1/2	HS-C221-05	15.08
3-1/4	HS-C221-065	16.28
4	HS-C221-08	18.38
5	HS-C221-10	24.87
6	HS-C221-12	32.00
8 & UP	HS-C221-STRIP*	14.95

*Sold by the foot

R5 & HR5 Series

Rod Seal Kits, Loaded U-Seal



Rod Seal Kits (1,2,3,4,5) Nitrile

Rod Dia	Bore Dia	Sales Part No	List Price
1/2	1	HSKN5-660-04	\$13.66
5/8	1	HSKR2-662-05A	14.69
5/8	1.5 & up	HSKN5-660-05	16.73
1	2 & up	HSKN5-660-08	16.99
1-3/8	2.5 & up	HSKN5-660-11	21.30
1-3/4	All	HSKN5-660-14	26.86
2	All	HSKN5-660-16	30.10
2-1/2	All	HSKN5-660-20	33.09
3	All	HSKN5-660-24	34.43
3-1/2	All	HSKN5-660-28	37.75
4	All	HSKN5-660-32	47.37
4-1/2	All	HSKN5-660-36	51.02
5	All	HSKN5-660-40	75.55
5-1/2	All	HSKN5-660-44	103.00

Rod Seal Kits (1,2,3,4,5) Urethane Loaded U-Seal

Rod Dia	Bore Dia	Sales Part No	List Price
1/2	1	HSKN5-660-P-04	\$23.69
1	2 & up	HSKN5-660-P-08	26.30
1-3/4	All	HSKN5-660-P-14	32.65
3-1/2	All	HSKN5-660-P-28	60.42

Rod Seal Kits (1,2,3,4,5) Fluorocarbon

Rod Dia	Bore Dia	Sales Part No	List Price
1/2	1	HSKN5-660-04V	\$50.28
5/8	1	HSKR2-662-05AV	61.96
5/8	1.5 & up	HSKN5-660-05V	60.00
1	2 & up	HSKN5-660-08V	63.04
1-3/8	2.5 & up	HSKN5-660-11V	82.38
1-3/4	All	HSKN5-660-14V	85.43
2	All	HSKN5-660-16V	91.03
2-1/2	All	HSKN5-660-20V	102.73
3	All	HSKN5-660-24V	133.96
3-1/2	All	HSKN5-660-28V	156.51
4	All	HSKN5-660-32V	163.56
4-1/2	All	HSKN5-660-36V	172.66
5	All	HSKN5-660-40V	207.55
5-1/2	All	HSKN5-660-44V	234.39

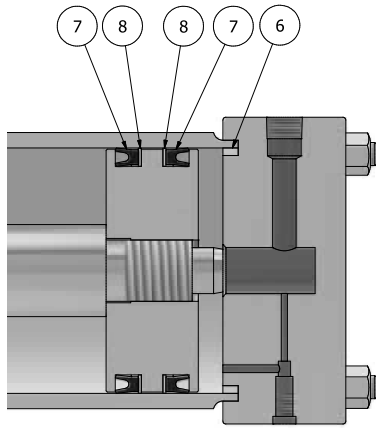
Rod Seal Kits (1,3,4,5) Urethane

Rod Dia	Bore Dia	Sales Part No	List Price
5/8	1	HSKN5-681-05A	\$24.59
5/8	1.5 & up	HSKN5-681-05	28.15
1	2 & up	HSKN5-681-08	30.87
1-3/8	2.5 & up	HSKN5-681-11	34.43
1-3/4	All	HSKN5-681-14	36.82
2	All	HSKN5-681-16	47.94
2-1/2	All	HSKN5-681-20	67.49
3	All	HSKN5-681-24	73.58
3-1/2	All	HSKN5-681-28	80.59
4	All	HSKN5-681-32	94.50
4-1/2	All	HSKN5-681-36	124.15
5	All	HSKN5-681-40	130.05
5-1/2	All	HSKN5-681-44	154.74

Rod Seal Kits (1,2,3,4,5) Fluorocarbon Loaded U-Seal

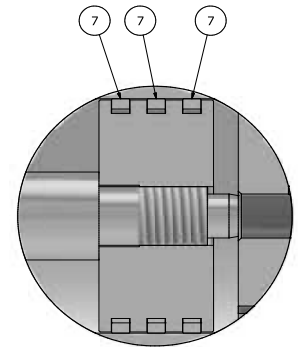
Rod Dia	Bore Dia	Sales Part No	List Price
1/2	1	HSKN5-660-P-04V	\$94.97
5/8	1	HSKN5-660-P-05AV	95.59
5/8	1.5 & up	HSKN5-660-P-05V	100.94
1	2 & up	HSKN5-660-P-08V	114.57
1-3/8	2.5 & up	HSKN5-660-P-11V	140.39
1-3/4	All	HSKN5-660-P-14V	154.69
2	All	HSKN5-660-P-16V	161.12
2-1/2	All	HSKN5-660-P-20V	234.92
3	All	HSKN5-660-P-24V	270.57
3-1/2	All	HSKN5-660-P-28V	302.09
4	All	HSKN5-660-P-32V	364.86
4-1/2	All	HSKN5-660-P-36V	391.32
5	All	HSKN5-660-P-40V	401.16
5-1/2	All	HSKN5-660-P-44V	410.12

HYDROLINE



Components	
1	Rod Wiper
2	Rod Seal Back-Up
3	Rod Seal
4	Head Seal Back-Up
5	Head Seal
6	End Seal
7	Piston Seal
8	Piston Seal Back-Up

Cast Iron Piston Kits



Piston Seal Kits (6,7,8) Nitrile		
Bore Dia	Sales Part No	List Price
1	HSKR5-512-02	\$45.02
1-1/2	HSKR5-512-03	47.55
2	HSKR5-512-04	52.04
2-1/2	HSKR5-512-05	56.83
3-1/4	HSKR5-512-065	63.04
4	HSKR5-512-08	73.92
5	HSKR5-512-10	93.63
6	HSKR5-512-12	104.49
8	HSKR5-512-16	271.82
10	HSKR5-512-20	266.23
12	HSKR5-512-24	418.48
14	HSKR5-512-28	601.99

Piston Seal Kits (6,7) Cast Iron		
Bore Dia	Sales Part No	List Price
1	HSKR5-511-02	\$150.00
1.530	HSKR5-511-03	100.62
2.030	HSKR5-511-04	103.63
2.530	HSKR5-511-05	105.33
3.280	HSKR5-511-065	121.94
4.030	HSKR5-511-08	137.43
5.030	HSKR5-511-10	177.74
6.030	HSKR5-511-12	197.00
8.030	HSKR5-511-16	231.89
10.030	HSKR5-511-20	660.52
12.030	HSKR5-511-24	918.98

Piston Seal Kits (6,7,8) Fluorocarbon		
Bore Dia	Sales Part No	List Price
1	HSKR5-512-02V	\$96.11
1-1/2	HSKR5-512-03V	100.62
2	HSKR5-512-04V	141.96
2-1/2	HSKR5-512-05V	145.12
3-1/4	HSKR5-512-065V	151.86
4	HSKR5-512-08V	195.22
5	HSKR5-512-10V	217.44
6	HSKR5-512-12V	283.75
8	HSKR5-512-16V	538.62
10	HSKR5-512-20V	913.05
12	HSKR5-512-24V	1307.97
14	HSKR5-512-28V	1427.05

End Seal Kits (7) PTFE		
Bore Dia	Sales Part No	List Price
1	HS-C221-02	\$11.71
1-1/2	HS-C221-03	12.55
2	HS-C221-04	13.67
2-1/2	HS-C221-05	15.08
3-1/4	HS-C221-065	16.28
4	HS-C221-08	18.38
5	HS-C221-10	24.87
6	HS-C221-12	32.00
8 & UP	HS-C221-STRIP*	14.95

*Sold by the foot

HYDRO-LINE

HYDRO-LINE®

Sales Part Number	Description	Rod Size	Bore Size	List Price
HN5-650-08	Bushing	1		\$57.00
HN5-650-11	Bushing	1-3/8		69.31
HN5-650-14	Bushing	1-3/4		83.52
HN5-650-24	Bushing	3		243.63
HN5-650-S-20	Bushing	2-1/2		210.65
HN5-655-05	Bushing w/ spacer	5/8		186.01
HN5-655-08	Bushing w/ spacer	1		237.55
HN5-655-11	Bushing w/ spacer	1-3/8		249.43
HN5-655-14	Bushing w/ spacer	1-3/4		287.65
HN5-655-16	Bushing w/ spacer	2		300.69
HN5-655-20	Bushing w/ spacer	2-1/2		323.71
HN5-655-24	Bushing w/ spacer	3		482.03
HN5-655-28	Bushing w/ spacer	3-1/2		564.67
HN5-655-32	Bushing w/ spacer	4		619.73
HN5-655-36	Bushing w/ spacer	4-1/2 x 2.57ht		881.44
HN5-655-36A	Bushing w/ spacer	4-1/2 x 1.88ht		881.44
HN5-655-40	Bushing w/ spacer	5		1074.22
HN5-655-44	Bushing w/ spacer	5-1/2		1156.89
HN5-665-05	Rod Gland Kit	5/8		224.67
HN5-665-05V	Rod Gland Kit	5/8		256.08
HN5-665-08	Rod Gland Kit	1		278.90
HN5-665-08V	Rod Gland Kit	1		312.96
HN5-665-11	Rod Gland Kit	1-3/8		298.34
HN5-665-11V	Rod Gland Kit	1-3/8		342.11
HN5-665-14	Rod Gland Kit	1-3/4		346.87
HN5-665-14V	Rod Gland Kit	1-3/4		389.18
HN5-665-16	Rod Gland Kit	2		361.15
HN5-665-16V	Rod Gland Kit	2		407.13
HN5-665-20	Rod Gland Kit	2-1/2		391.94
HN5-665-20V	Rod Gland Kit	2-1/2		437.86
HN5-665-24	Rod Gland Kit	3		590.47
HN5-665-24V	Rod Gland Kit	3		665.41
HN5-665-28	Rod Gland Kit	3-1/2		691.29
HN5-665-28V	Rod Gland Kit	3-1/2		753.05
HN5-665-32	Rod Gland Kit	4		766.19
HN5-665-32V	Rod Gland Kit	4		856.43
HN5-665-36	Rod Gland Kit	4-1/2		1084.47
HN5-665-36A	Rod Gland Kit	4-1/2		1084.47
HN5-665-36AV	Rod Gland Kit	4-1/2		1170.80
HN5-665-36V	Rod Gland Kit	4-1/2		1170.80
HN5-665-40	Rod Gland Kit	5		1304.92
HN5-665-40V	Rod Gland Kit	5		1417.08
HN5-665-44	Rod Gland Kit	5-1/2		1416.02
HN5-665-44V	Rod Gland Kit	5-1/2		1571.45
HN5-681-08	Rod Gland Kit	1		82.89
HN5-681-11	Rod Gland Kit	1-3/8		95.81
HN5-681-14	Rod Gland Kit	1-3/4		119.98
HN5-681-24	Rod Gland Kit	3		336.63
HN5-681-E-28	Rod Gland Kit	3-1/2		955.84
HN5-B-650-05	Gland Kit	5/8		181.88

HYDRO-LINE

Sales Part Number	Description	Rod Size	Bore Size	List Price
HN5-B-650-08	Gland Kit	1		\$194.89
HN5-B-650-11	Gland Kit	1-3/8		229.41
HN5-B-650-14	Gland Kit	1-3/4		264.73
HN5-B-650-16	Gland Kit	2		273.73
HN5-B-650-20	Gland Kit	2-1/2		344.83
HN5-B-650-20-NH	Bushing	2-1/2		171.49
HN5-B-650-24	Gland Kit	3		367.35
HN5-B-650-28	Gland Kit	3-1/2		651.91
HN5-B-650-32	Gland Kit	4		700.72
HN5-B-650-36	Gland Kit	4-1/2		965.44
HN5-B-650-36A	Gland Kit	4-1/2		759.57
HN5-B-650-40	Gland Kit	5		1060.73
HN5-B-650-44	Gland Kit	5-1/2		1107.37
HN5-B-650-S24	Bushing	3		287.91
HN5-B-681-20	Gland Kit	2-1/2		232.47
HN5-B-681-28	Gland Kit	3-1/2		703.77
HS-C124-03	Tube End Seals		1-1/2	15.45
HS-C124-04	Tube End Seals		2	18.76
HS-C124-05	Tube End Seals		2-1/2	21.73
HS-C124-065	Tube End Seals		3-1/4	27.48
HS-C124-08	Tube End Seals		4	29.55
HS-C124-10	Tube End Seals		5	32.51
HS-C124-12	Tube End Seals		6	33.57
HS-C124-STRIP	Tube End Seals		0.068cs x 0.140w PTFE strip (sold by the foot)	23.24
HS-C221-02	Tube End Seals		1	11.71
HS-C221-03	Tube End Seals		1-1/2	12.55
HS-C221-04	Tube End Seals		2	13.67
HS-C221-05	Tube End Seals		2-1/2	15.08
HS-C221-065	Tube End Seals		3-1/4	16.28
HS-C221-08	Tube End Seals		4	18.38
HS-C221-10	Tube End Seals		5	24.87
HS-C221-12	Tube End Seals		6	32.00
HS-C221-STRIP	Tube End Seals		0.063cs x 0.093w PTFE strip (sold by the foot)	14.95
HS-C255-03	Tube End Seals		1-1/2	16.58
HS-C255-04	Tube End Seals		2	19.16
HS-C255-05	Tube End Seals		2-1/2	20.22
HS-C255-065	Tube End Seals		3-1/4	20.83
HS-C255-08	Tube End Seals		4	23.64
HS-C255-10	Tube End Seals		5	25.16
HS-C255-12	Tube End Seals		6	26.25
HS-C255-14	Tube End Seals		7	27.48
HS-C255-16	Tube End Seals		8	31.98
HS-C408-1	Captive Cushion Adjustment Seal	0.204 ID x 0.072 CS		9.29
HS-C408-1V	Captive Cushion Adjustment Seal	0.204 ID x 0.072 CS		11.17
HS-C408-2	Captive Cushion Adjustment Seal	0.298 ID x 0.072 CS		9.29
HS-C408-2V	Captive Cushion Adjustment Seal	0.298 ID x 0.072 CS		11.17

HYDRO-LINE

HYDRO-LINE®

Sales Part Number	Description	Rod Size	Bore Size	List Price
HS-C408-3	Captive Cushion Adjustment Seal	0.420 ID x 0.072 CS		\$9.29
HS-C408-3V	Captive Cushion Adjustment Seal	0.420 ID x 0.072 CS		11.17
HS-C408-4	Captive Cushion Adjustment Seal	0.542 ID x 0.072 CS		9.29
HS-C408-4V	Captive Cushion Adjustment Seal	0.542 ID x 0.072 CS		11.17
HS-E304-03	Tube End Seals		1-1/2	3.65
HS-E304-04	Tube End Seals		2	3.82
HS-E304-065	Tube End Seals		3-1/4	4.46
HS-E304-08	Tube End Seals		4	4.80
HSKA5-512-03	Piston Kit		1-1/2	43.99
HSKA5-512-03V	Piston Kit		1-1/2	88.97
HSKA5-512-04	Piston Kit		2	46.87
HSKA5-512-04V	Piston Kit		2	92.18
HSKA5-512-05	Piston Kit		2-1/2	50.46
HSKA5-512-05V	Piston Kit		2-1/2	108.70
HSKA5-512-065	Piston Kit		3-1/4	54.42
HSKA5-512-065V	Piston Kit		3-1/4	122.59
HSKA5-512-08	Piston Kit		4	63.39
HSKA5-512-08V	Piston Kit		4	133.24
HSKA5-512-10	Piston Kit		5	79.20
HSKA5-512-10V	Piston Kit		5	156.26
HSKA5-512-12	Piston Kit		6	93.25
HSKA5-512-12V	Piston Kit		6	255.71
HSKE2-512-04	Piston Kit		2	44.61
HSKE2-512-065	Piston Kit		3-1/4	42.90
HSKE2-512-08	Piston Kit		4	74.83
HSKE2-660-05	Rod Kit	5/8		7.41
HSKE2-660-08	Rod Kit	1		8.24
HSKE2-660-11	Rod Kit	1-3/8		9.17
HSKN2-511-03	Piston Ring Kit		1-1/2	139.38
HSKN2-511-04	Piston Ring Kit		2	158.89
HSKN2-511-05	Piston Ring Kit		2-1/2	161.45
HSKN2-511-065	Piston Ring Kit		3-1/4	170.45
HSKN2-511-08	Piston Ring Kit		4	191.88
HSKN2-511-10	Piston Ring Kit		5	233.49
HSKN2-511-12	Piston Ring Kit		6	246.58
HSKN2-511-14	Piston Ring Kit		7	276.20
HSKN2-511-16	Piston Ring Kit		8	339.58
HSKN2-511-20	Piston Ring Kit		10	709.19
HSKN2-511-24	Piston Ring Kit		12	959.33
HSKN2-512-03	Piston Kit		1-1/2	56.14
HSKN2-512-03V	Piston Kit		1-1/2	109.25
HSKN2-512-04	Piston Kit		2	68.04
HSKN2-512-04V	Piston Kit		2	143.45
HSKN2-512-05	Piston Kit		2-1/2	73.44
HSKN2-512-05V	Piston Kit		2-1/2	152.50
HSKN2-512-065	Piston Kit		3-1/4	70.58
HSKN2-512-065V	Piston Kit		3-1/4	173.32

HYDRO-LINE

Sales Part Number	Description	Rod Size	Bore Size	List Price
HSKN2-512-08	Piston Kit		4	\$84.81
HSKN2-512-08V	Piston Kit		4	205.02
HSKN2-512-10	Piston Kit		5	108.95
HSKN2-512-10V	Piston Kit		5	227.03
HSKN2-512-12	Piston Kit		6	122.43
HSKN2-512-12V	Piston Kit		6	301.61
HSKN2-512-14	Piston Kit		7	186.95
HSKN2-512-14V	Piston Kit		7	444.30
HSKN2-512-16	Piston Kit		8	236.76
HSKN2-512-16V	Piston Kit		8	490.79
HSKN2-512-20	Piston Kit		10	266.23
HSKN2-512-20V	Piston Kit		10	913.05
HSKN2-512-24	Piston Kit		12	418.48
HSKN2-512-24V	Piston Kit		12	1353.75
HSKN25-511-03	Piston Kit		1-1/2	178.08
HSKN25-511-04	Piston Kit		2	199.26
HSKN25-511-05	Piston Kit		2-1/2	203.04
HSKN25-511-065	Piston Kit		3-1/4	213.34
HSKN25-511-08	Piston Kit		4	240.49
HSKN25-511-10	Piston Kit		5	285.67
HSKN25-511-12	Piston Kit		6	315.72
HSKN25-511-14	Piston Kit		7	315.40
HSKN25-511-16	Piston Kit		8	384.07
HSKN25-512-03	Piston Kit		1-1/2	65.98
HSKN25-512-03V	Piston Kit		1-1/2	129.89
HSKN25-512-04	Piston Kit		2	74.03
HSKN25-512-04V	Piston Kit		2	188.67
HSKN25-512-05	Piston Kit		2-1/2	77.19
HSKN25-512-05V	Piston Kit		2-1/2	203.38
HSKN25-512-065	Piston Kit		3-1/4	100.81
HSKN25-512-065V	Piston Kit		3-1/4	216.22
HSKN25-512-08	Piston Kit		4	118.67
HSKN25-512-08V	Piston Kit		4	266.95
HSKN25-512-10	Piston Kit		5	155.43
HSKN25-512-10V	Piston Kit		5	293.93
HSKN25-512-12	Piston Kit		6	176.52
HSKN25-512-12V	Piston Kit		6	435.76
HSKN25-512-14	Piston Kit		7	209.16
HSKN25-512-14V	Piston Kit		7	523.26
HSKN25-512-16	Piston Kit		8	295.51
HSKN25-512-16V	Piston Kit		8	433.61
HSKN25-665-05	Rod Kit	5/8		19.39
HSKN25-665-05V	Rod Kit	5/8		67.20
HSKN25-665-08	Rod Kit	1		20.16
HSKN25-665-08V	Rod Kit	1		69.91
HSKN25-665-11	Rod Kit	1-3/8		25.72
HSKN25-665-11V	Rod Kit	1-3/8		88.79
HSKN25-665-14	Rod Kit	1-3/4		32.51
HSKN25-665-14V	Rod Kit	1-3/4		99.68
HSKN25-665-16	Rod Kit	2		36.32

HYDRO-LINE

HYDRO-LINE®

Sales Part Number	Description	Rod Size	Bore Size	List Price
HSKN25-665-16V	Rod Kit	2		\$105.62
HSKN25-665-20	Rod Kit	2-1/2		43.44
HSKN25-665-20V	Rod Kit	2-1/2		120.18
HSKN2-661-05	Rod Kit	5/8		16.77
HSKN2-661-05V	Rod Kit	5/8		62.08
HSKN2-661-08	Rod Kit	1		16.65
HSKN2-661-08V	Rod Kit	1		65.92
HSKN2-661-11	Rod Kit	1-3/8		20.32
HSKN2-661-11V	Rod Kit	1-3/8		73.44
HSKN2-661-14	Rod Kit	1-3/4		23.86
HSKN2-661-14V	Rod Kit	1-3/4		86.10
HSKN2-661-16	Rod Kit	2		26.42
HSKN2-661-16V	Rod Kit	2		90.93
HSKN2-661-20	Rod Kit	2-1/2		39.64
HSKN2-661-20V	Rod Kit	2-1/2		101.48
HSKN5-511-03	Piston Ring Kit		1-1/2	138.46
HSKN5-511-04	Piston Ring Kit		2	150.92
HSKN5-511-05	Piston Ring Kit		2-1/2	152.14
HSKN5-511-065	Piston Ring Kit		3-1/4	156.80
HSKN5-511-08	Piston Ring Kit		4	179.67
HSKN5-511-10	Piston Ring Kit		5	218.74
HSKN5-511-12	Piston Ring Kit		6	246.58
HSKN5-511-14	Piston Ring Kit		7	291.40
HSKN5-511-16	Piston Ring Kit		8	369.78
HSKN5-512-03	Piston Kit		1-1/2	43.63
HSKN5-512-03V	Piston Kit		1-1/2	108.35
HSKN5-512-04	Piston Kit		2	60.00
HSKN5-512-04V	Piston Kit		2	149.94
HSKN5-512-05	Piston Kit		2-1/2	64.19
HSKN5-512-05V	Piston Kit		2-1/2	152.50
HSKN5-512-065	Piston Kit		3-1/4	70.58
HSKN5-512-065V	Piston Kit		3-1/4	159.27
HSKN5-512-08	Piston Kit		4	84.61
HSKN5-512-08V	Piston Kit		4	206.15
HSKN5-512-10	Piston Kit		5	103.16
HSKN5-512-10V	Piston Kit		5	242.06
HSKN5-512-12	Piston Kit		6	107.35
HSKN5-512-12V	Piston Kit		6	286.59
HSKN5-512-14	Piston Kit		7	203.04
HSKN5-512-14V	Piston Kit		7	409.00
HSKN5-512-16	Piston Kit		8	284.83
HSKN5-512-16V	Piston Kit		8	460.52
HSKN5-512-G-08	Piston Kit		4	95.07
HSKN5-512-P-05	Piston Kit		2-1/2	73.10
HSKN5-512-P-16	Piston Kit		8	365.97
HSKN5-517-065	Piston Kit		3-1/4	78.53
HSKN5-660-04	Rod Kit	1/2		13.66
HSKN5-660-04V	Rod Kit	1/2		50.28
HSKN5-660-05	Rod Kit	5/8		16.73
HSKN5-660-05V	Rod Kit	5/8		60.00

HYDRO-LINE

Sales Part Number	Description	Rod Size	Bore Size	List Price
HSKN5-660-08	Rod Kit	1		\$16.99
HSKN5-660-08V	Rod Kit	1		63.04
HSKN5-660-11	Rod Kit	1-3/8		21.30
HSKN5-660-11V	Rod Kit	1-3/8		82.38
HSKN5-660-14	Rod Kit	1-3/4		26.86
HSKN5-660-14V	Rod Kit	1-3/4		85.43
HSKN5-660-16	Rod Kit	2		30.10
HSKN5-660-16V	Rod Kit	2		91.03
HSKN5-660-20	Rod Kit	2-1/2		33.09
HSKN5-660-20V	Rod Kit	2-1/2		102.73
HSKN5-660-24	Rod Kit	3		34.43
HSKN5-660-24V	Rod Kit	3		133.96
HSKN5-660-28	Rod Kit	3-1/2		37.75
HSKN5-660-28V	Rod Kit	3-1/2		156.51
HSKN5-660-32	Rod Kit	4		47.37
HSKN5-660-32V	Rod Kit	4		163.56
HSKN5-660-36	Rod Kit	4-1/2		51.02
HSKN5-660-36V	Rod Kit	4-1/2		172.66
HSKN5-660-40	Rod Kit	5		75.55
HSKN5-660-40V	Rod Kit	5		207.55
HSKN5-660-44	Rod Kit	5-1/2		103.00
HSKN5-660-44V	Rod Kit	5-1/2		234.39
HSKN5-660-P-04	Rod Kit	1/2	1	23.69
HSKN5-660-P-04V	Rod Kit	1/2	1	94.97
HSKN5-660-P-05AV	Rod Kit	5/8	1	95.59
HSKN5-660-P-05V	Rod Kit	5/8	1.5 & UP	100.94
HSKN5-660-P-08	Rod Kit	1	2 & UP	26.30
HSKN5-660-P-08V	Rod Kit	1	2 & UP	114.57
HSKN5-660-P-11	Rod Kit	1-3/8		15.29
HSKN5-660-P-11V	Rod Kit	1-3/8	2.5 & UP	140.39
HSKN5-660-P-14	Rod Kit	1-3/4		32.65
HSKN5-660-P-14V	Rod Kit	1-3/4		154.69
HSKN5-660-P-16V	Rod Kit	2		161.12
HSKN5-660-P-20	Rod Kit	2-1/2		49.13
HSKN5-660-P-20V	Rod Kit	2-1/2		234.92
HSKN5-660-P-24	Rod Kit	3		27.23
HSKN5-660-P-24V	Rod Kit	3		270.57
HSKN5-660-P-28	Rod Kit	3-1/2		60.42
HSKN5-660-P-28V	Rod Kit	3-1/2		302.09
HSKN5-660-P-32V	Rod Kit	4		364.86
HSKN5-660-P-36V	Rod Kit	4-1/2		391.32
HSKN5-660-P-40V	Rod Kit	5		401.16
HSKN5-660-P-44V	Rod Kit	5-1/2		410.12
HSKN5-681-05	Rod Kit	5/8		28.15
HSKN5-681-05A	Rod Kit	5/8	1	24.59
HSKN5-681-08	Rod Kit	1		30.87
HSKN5-681-11	Rod Kit	1-3/8		34.43
HSKN5-681-14	Rod Kit	1-3/4		36.82
HSKN5-681-16	Rod Kit	2		47.94
HSKN5-681-20	Rod Kit	2-1/2		67.49

HYDRO-LINE

HYDRO-LINE®

Sales Part Number	Description	Rod Size	Bore Size	List Price
HSKN5-681-24	Rod Kit	3		\$73.58
HSKN5-681-28	Rod Kit	3-1/2		80.59
HSKN5-681-32	Rod Kit	4		94.50
HSKN5-681-36	Rod Kit	4-1/2		124.15
HSKN5-681-40	Rod Kit	5		130.05
HSKN5-681-44	Rod Kit	5-1/2		154.74
HSKN5-681-S-16	Rod Kit	2		58.93
HSKN5-681-S-20	Rod Kit	2-1/2		62.53
HSKN5-681-S-28	Rod Kit	3-1/2		122.36
HSKN5-681-S-36	Rod Kit	4-1/2		80.36
HSKN5-B-681-28	Rod Kit	3-1/2		50.08
HSKR2-662-05A	Rod Kit	5/8	1	14.69
HSKR2-662-05AV	Rod Kit	5/8	1	61.96
HSKR2-662-08	Rod Kit	1	1.5, 2, 2.5	16.03
HSKR2-662-08V	Rod Kit	1	1.5, 2, 2.5	63.21
HSKR2-662-11	Rod Kit	1-3/8	2, 2.5	19.52
HSKR2-662-11V	Rod Kit	1-3/8	2, 2.5	81.47
HSKR2-662-14	Rod Kit	1-3/4	2.5	23.99
HSKR2-662-14V	Rod Kit	1-3/4	2.5	83.70
HSKR2-662-P-05AV	Rod Kit	5/8	1	95.58
HSKR2-662-P-08V	Rod Kit	1	1.5, 2, 2.5	115.53
HSKR2-662-P-11V	Rod Kit	1-3/8	2, 2.5	138.66
HSKR2-662-P-14V	Rod Kit	1-3/4	2.5	155.29
HSKR2-681-05A	Rod Kit	5/8	1	24.59
HSKR2-681-08	Rod Kit	1	1.5, 2, 2.5	30.52
HSKR2-681-11	Rod Kit	1-3/8	2, 2.5	30.87
HSKR2-681-14	Rod Kit	1-3/4	2.5	32.25
HSKR5-511-02	Piston Ring Kit		1	150.00
HSKR5-511-03	Piston Ring Kit		1-1/2	100.62
HSKR5-511-04	Piston Ring Kit		2	103.63
HSKR5-511-05	Piston Ring Kit		2-1/2	105.33
HSKR5-511-065	Piston Ring Kit		3-1/4	121.94
HSKR5-511-08	Piston Ring Kit		4	137.43
HSKR5-511-10	Piston Ring Kit		5	177.74
HSKR5-511-12	Piston Ring Kit		6	197.00
HSKR5-511-16	Piston Ring Kit		8	231.89
HSKR5-511-20	Piston Ring Kit		10	660.52
HSKR5-511-24	Piston Ring Kit		12	918.98
HSKR5-512-02	Piston Kit		1	45.02
HSKR5-512-02V	Piston Kit		1	96.11
HSKR5-512-03	Piston Kit		1-1/2	47.55
HSKR5-512-03V	Piston Kit		1-1/2	100.62
HSKR5-512-04	Piston Kit		2	52.04
HSKR5-512-04V	Piston Kit		2	141.96
HSKR5-512-05	Piston Kit		2-1/2	56.83
HSKR5-512-05V	Piston Kit		2-1/2	145.12
HSKR5-512-065	Piston Kit		3-1/4	63.04
HSKR5-512-065V	Piston Kit		3-1/4	151.86
HSKR5-512-08	Piston Kit		4	73.92
HSKR5-512-08V	Piston Kit		4	195.22

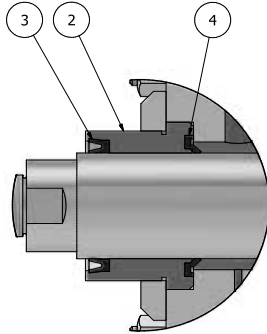
HYDRO-LINE

Sales Part Number	Description	Rod Size	Bore Size	List Price
HSKR5-512-10	Piston Kit		5	\$93.63
HSKR5-512-10V	Piston Kit		5	217.44
HSKR5-512-12	Piston Kit		6	104.49
HSKR5-512-12V	Piston Kit		6	283.75
HSKR5-512-16	Piston Kit		8	271.82
HSKR5-512-16V	Piston Kit		8	538.62
HSKR5-512-20	Piston Kit		10	266.23
HSKR5-512-20V	Piston Kit		10	913.05
HSKR5-512-24	Piston Kit		12	418.48
HSKR5-512-24V	Piston Kit		12	1307.97
HSKR5-512-28	Piston Kit		14	601.99
HSKR5-512-28V	Piston Kit		14	1427.05
HSKX-B-29427-20	Rod Kit	2-1/2		28.85
HSKX-B-31300	Piston Kit		12.030	495.48
HSKX-B-54030	Piston Kit		3	35.78
HSKX-C-53238-36	Rod Kit	4-1/2		209.23
HSKX-C-53238-56	Rod Kit	7		376.38
HSKX-E-49904	Rod Kit	7		436.25

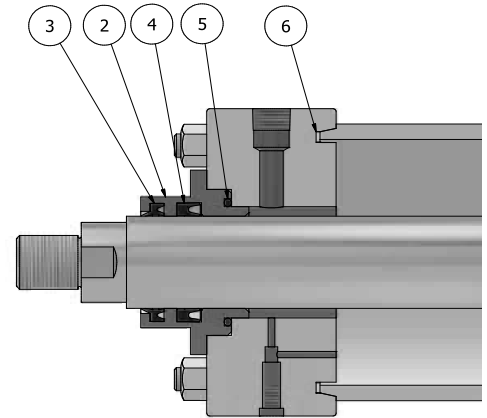
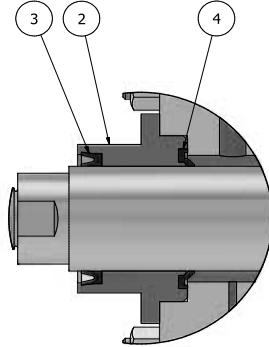
Kit Type		Page
Miller A Series	Rod Gland Kits	62
	Rod Seal Kits	63
	End Seal Kits	63
	Piston Seal Kits	63
Miller J Series	Rod Gland Kits	64
	Rod Seal Cage Assembly	64
	Rod Seal Kits	65
	End Seal Kits	65
	Piston Seal Kits	65
Miller H Series	Rod Gland Kits	66
	Rod Seal Cage Assembly	66
	Rod Seal Kits	67
	Piston Seal Kits	67
	End Seal Kits	67
Miller HV Series (Legacy)	Rod Gland Kits	68
	Rod Gland Retainers	68
	Rod Glands	68-69
	Piston Seal Kits	69
Miller HV Series (2019)	Rod Seal Kits	70
	Piston Seal Kits	71
Miller HV2 Series	Rod Seal Kits	72-73
	Lip Seal Piston Kits	74
	High Load Piston Seal Kits	74
	Cast Iron Piston Seal Kits	75
	End Seal Kits	75
Miller JV Series	Rod Seal Kits	76
	Lip Seal Piston Kits	76
	Cast Iron Piston Seal Kits	77
	End Seal Kits	77
Hat Packing	PTFE & Nitrile	78
PTFE Wiper	"U" Style- A, C, J, M, & H Cylinders	79
Iron Gland	Star Bushing Style A, J, & H Cylinders- Retainer Held & Bolted	80
	A, C, J, M, & H Cylinders	81
Retainer	HV Cylinders	82
Caged Assembly Components	Rod Seal Cage, Wave Spring, & Bronze Pressure Ring	82
Tube End Seals	Continuous PTFE	83
	Various Kits	83
	Strip PTFE	84
	JV Cylinders	84
	HV2 Cylinders	85
PTFE Tube Seal Cord	A, C, J, M, & H Cylinders	85
Piston U-Seals	All Current Style Cylinders	86
Wear Rings	Air & Hydraulic Service	87
Piston Cups	A, AJ, J, JW, H, & HW Cylinders	88
PTFE Follower Seals	J & H Cylinders	88
Repair Kits	By Part Number	89-100

Miller A Series

Rod Gland Kit 051-KR010



Rod Gland Kit 051-KR011



Rod Gland Kits (2,3,4) Retainer Held Iron

Rod Dia	Sales Part No	List Price
5/8	MLR-051-KR010-063	\$118.81
1	MLR-051-KR010-100	159.90
1-3/8	MLR-051-KR010-138	181.66
1-3/4	MLR-051-KR010-175	266.83
2	MLR-051-KR010-200	312.11
2-1/2	MLR-051-KR010-250	449.11
3	MLR-051-KR010-300	586.13

Rod Gland Kits (2,3,4,5) Star Bushing,1998 Style Retainer Held, Iron

Rod Dia	Sales Part No	List Price
5/8	MLR-051-KR074-063	\$270.39
1	MLR-051-KR074-100	336.44
1-3/8	MLR-051-KR074-138	396.64

Rod Gland Kits (2,3,4) Bolted Iron

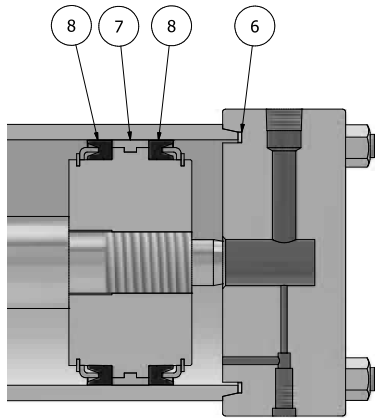
Rod Dia	Sales Part No	List Price
5/8*	MLR-051-KR011-063	\$201.81
1*	MLR-051-KR011-100	233.46
1-3/8*	MLR-051-KR011-138	252.71
1-3/4	MLR-051-KR011-175	397.46
2	MLR-051-KR011-200	450.19
2-1/2	MLR-051-KR011-250	578.91

*Kit includes a retainer

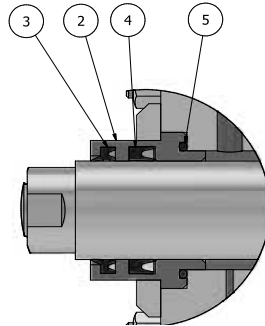
Rod Gland Kits (2,3,4,5) Star Bushing,1998 Style Bolted Iron

Rod Dia	Sales Part No	List Price
5/8*	MLR-051-KR075-063	\$363.20
1*	MLR-051-KR075-100	438.08
1-3/8*	MLR-051-KR075-138	513.47
1-3/4	MLR-051-KR075-175	556.43
2	MLR-051-KR075-200	655.43
2-1/2	MLR-051-KR075-250	899.91
3	MLR-051-KR075-300	1152.73
3-1/2	MLR-051-KR075-350	1546.08
4	MLR-051-KR075-400	1662.27
4-1/2	MLR-051-KR075-450	1789.03
5	MLR-051-KR075-500	2381.17
5-1/2	MLR-051-KR075-550	3331.58

*Kit includes a retainer



Rod Gland Kit 051-KR074



Components	
1	Rod Gland Retainer
2	Rod Gland
3	Rod Wiper
4	Rod Seal or Hat Packing
5	Head Seal
6	End Seal
7	Piston Seal
8	Piston Wear Ring (matl & profile vary by size)

Rod Seal Kits (3,4,5) For Star Bushing		
Rod Dia	Sales Part No	List Price
5/8	MLR-051-KR080-063	\$32.13
1	MLR-051-KR080-100	56.77
1-3/8	MLR-051-KR080-138	75.42
1-3/4	MLR-051-KR080-175	93.49
2	MLR-051-KR080-200	104.95
2-1/2	MLR-051-KR080-250	125.29
3	MLR-051-KR080-300	225.67
3-1/2	MLR-051-KR080-350	241.79
4	MLR-051-KR080-400	271.65
4-1/2	MLR-051-KR080-450	307.05
5	MLR-051-KR080-500	328.22
5-1/2	MLR-051-KR080-550	512.94

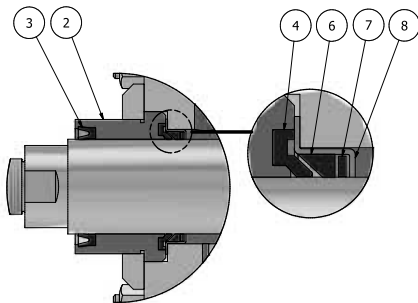
Piston Seal Kits (6,7,8) January 1982 to Current		
Bore Dia	Sales Part No	List Price
1-1/2	MLR-090-KB001-150	\$126.82
2	MLR-090-KB001-200	162.52
2-1/2	MLR-090-KB001-250	176.28
3-1/4	MLR-090-KB001-325	199.80
4	MLR-090-KB001-400	231.11
5	MLR-090-KB001-500	245.58
6	MLR-090-KB001-600	295.78
7	MLR-090-KB001-700	313.18
8	MLR-090-KB001-800	322.00
10	MLR-090-KB001-1000	361.25
12	MLR-090-KB001-1200	413.93

End Seal Kits (6) PTFE, Strip		
Bore	Sales Part No	List Price
1-1/2	MLR-090-ES006-150	\$12.53
2	MLR-090-ES006-200	21.86
2-1/2	MLR-090-ES006-250	22.97
3-1/4	MLR-090-ES006-325	26.59
4	MLR-090-ES006-400	32.93
5	MLR-090-ES006-500	35.29
6	MLR-090-ES006-600	43.59
7	MLR-090-ES006-700	42.99
8	MLR-090-ES006-800	53.74
10	MLR-090-ES006-1000	64.50
12	MLR-090-ES006-1200	75.26
14	MLR-090-ES006-1400	86.01

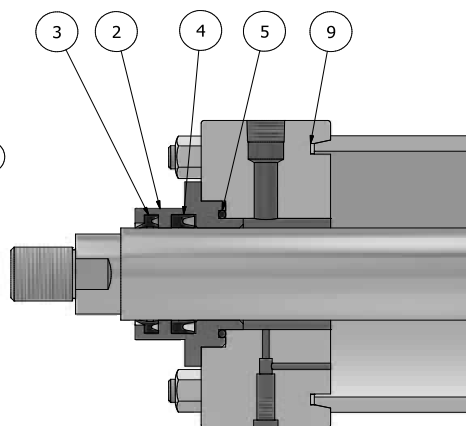
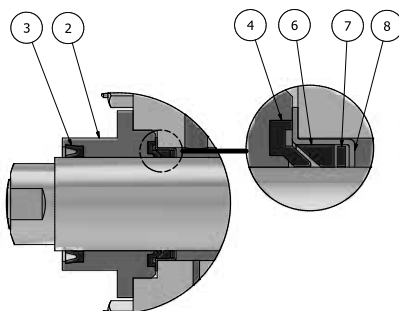
End Seal Kits (6) PTFE, Continuous		
Bore	Sales Part No	List Price
1-1/2	MLR-090-ES009-150	\$13.07
2	MLR-090-ES009-200	23.83
2-1/2	MLR-090-ES009-250	23.92
3-1/4	MLR-090-ES009-325	24.13
4	MLR-090-ES009-400	35.71
5	MLR-090-ES009-500	44.97
6	MLR-090-ES009-600	56.02
7	MLR-090-ES009-700	70.33
8	MLR-090-ES009-800	87.54
10	MLR-090-ES009-1000	104.42
12	MLR-090-ES009-1200	116.22
14	MLR-090-ES009-1400	115.35

Miller J Series

051-KR014 Rod Gland Kits



051-KR015 Rod Gland Kits



Rod Gland Kits (2,3,4,6,7,8) Retainer Held Iron

Rod Dia	Sales Part No	List Price
5/8	MLR-051-KR014-063	\$212.89
1	MLR-051-KR014-100	262.36
1-3/8	MLR-051-KR014-138	322.52
1-3/4	MLR-051-KR014-175	436.96
2	MLR-051-KR014-200	527.24
2-1/2	MLR-051-KR014-250	649.74
3	MLR-051-KR014-300	858.26

Rod Gland Kits (2,3,4,5) Star Bushing, 1998 Style Retainer Held, Iron

Rod Dia	Sales Part No	List Price
5/8	MLR-051-KR074-063	\$270.39
1	MLR-051-KR074-100	336.44
1-3/8	MLR-051-KR074-138	396.64

Rod Gland Kits (1*,2,3,4,6,7,8) Bolted Iron

Rod Dia	Sales Part No	List Price
5/8*	MLR-051-KR015-063	\$263.11
1*	MLR-051-KR015-100	316.73
1-3/8*	MLR-051-KR015-138	392.19
1-3/4	MLR-051-KR015-175	499.14
2	MLR-051-KR015-200	586.79
2-1/2	MLR-051-KR015-250	758.74
3	MLR-051-KR015-300	947.48

*this sized kit includes a retainer

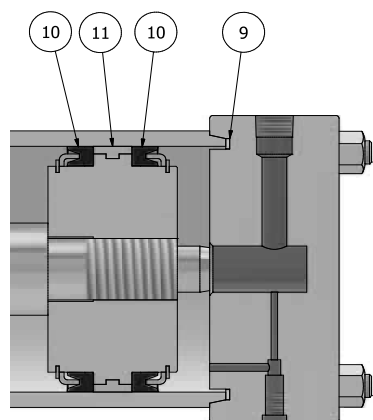
Rod Gland Kits (1*,2,3,4,5) Star Bushing, 1998 Style Bolted, Iron

Rod Dia	Sales Part No	List Price
5/8*	MLR-051-KR075-063	\$363.20
1*	MLR-051-KR075-100	438.08
1-3/8*	MLR-051-KR075-138	513.47
1-3/4	MLR-051-KR075-175	556.43
2	MLR-051-KR075-200	655.43
2-1/2	MLR-051-KR075-250	899.91
3	MLR-051-KR075-300	1152.73
3-1/2	MLR-051-KR075-350	1546.08
4	MLR-051-KR075-400	1662.27
4-1/2	MLR-051-KR075-450	1789.03
5	MLR-051-KR075-500	2381.17
5-1/2	MLR-051-KR075-550	3331.58

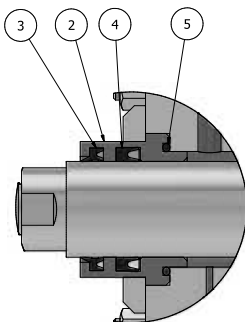
*This sized kit includes a retainer

Rod Seal Cage Assembly (3,4,6,7,8) PTFE

Rod Dia	Sales Part No	List Price
5/8	MLR-051-KR012-063	\$119.82
1	MLR-051-KR012-100	143.42
1-3/8	MLR-051-KR012-138	177.62
1-3/4	MLR-051-KR012-175	215.74
2	MLR-051-KR012-200	251.89
2-1/2	MLR-051-KR012-250	313.59
3	MLR-051-KR012-300	419.85



051-KR074 Rod Gland Kits



Components	
1	Rod Gland Retainer
2	Rod Gland
3	Rod Wiper
4	Rod Seal or Hat Packing
5	Head Seal
6	Pressure Ring
7	Wave Spring
8	Cage
9	End Seal
10	Piston Seal
11	Piston Wear Ring (matl varies by size)

Rod Seal Kits (3,4,5) For Star Bushing

Rod Dia	Sales Part No	List Price
5/8	MLR-051-KR080-063	\$32.13
1	MLR-051-KR080-100	56.77
1-3/8	MLR-051-KR080-138	75.42
1-3/4	MLR-051-KR080-175	93.49
2	MLR-051-KR080-200	104.95
2-1/2	MLR-051-KR080-250	125.29
3	MLR-051-KR080-300	225.67
3-1/2	MLR-051-KR080-350	241.79
4	MLR-051-KR080-400	271.65
4-1/2	MLR-051-KR080-450	307.05
5	MLR-051-KR080-500	328.22
5-1/2	MLR-051-KR080-550	512.94

Piston Seal Kits (9,10,11) January 1982 to Current

Bore Dia	Sales Part No	List Price
1-1/2	MLR-091-KB001-150	\$146.00
2	MLR-091-KB001-200	146.82
2-1/2	MLR-091-KB001-250	170.98
3-1/4	MLR-091-KB001-325	224.27
4	MLR-091-KB001-400	246.75
5	MLR-091-KB001-500	347.22
6	MLR-091-KB001-600	371.00
7	MLR-091-KB001-700	382.30
8	MLR-091-KB001-800	411.80
10	MLR-091-KB001-1000	326.07
12	MLR-091-KB001-1200	743.83

End Seal Kits (9) PTFE, Strip

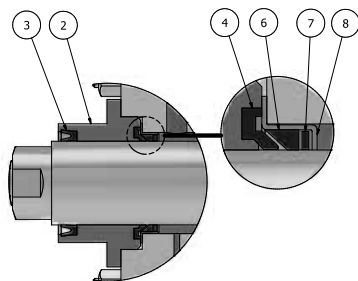
Bore	Sales Part No	List Price
1-1/2	MLR-090-ES006-150	\$12.53
2	MLR-090-ES006-200	21.86
2-1/2	MLR-090-ES006-250	22.97
3-1/4	MLR-090-ES006-325	26.59
4	MLR-090-ES006-400	32.93
5	MLR-090-ES006-500	35.29
6	MLR-090-ES006-600	43.59
7	MLR-090-ES006-700	42.99
8	MLR-090-ES006-800	53.74
10	MLR-090-ES006-1000	64.5
12	MLR-090-ES006-1200	75.26
14	MLR-090-ES006-1400	86.01

End Seal Kits (9) PTFE, Continuous

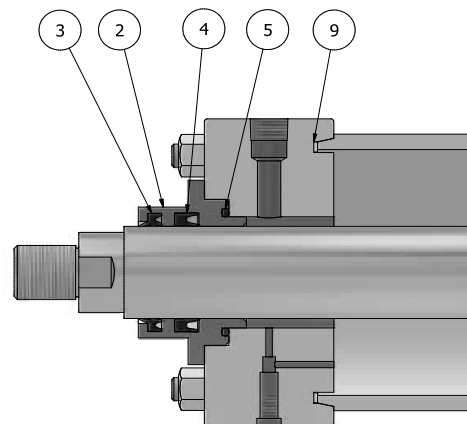
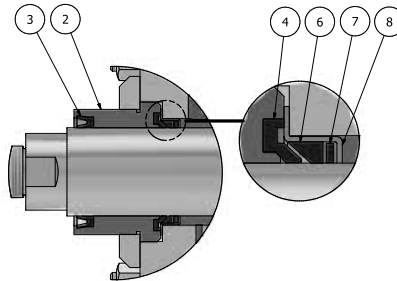
Bore	Sales Part No	List Price
1-1/2	MLR-090-ES009-150	\$13.07
2	MLR-090-ES009-200	23.83
2-1/2	MLR-090-ES009-250	23.92
3-1/4	MLR-090-ES009-325	24.13
4	MLR-090-ES009-400	35.71
5	MLR-090-ES009-500	44.97
6	MLR-090-ES009-600	56.02
7	MLR-090-ES009-700	70.33
8	MLR-090-ES009-800	87.54
10	MLR-090-ES009-1000	104.42
12	MLR-090-ES009-1200	116.22
14	MLR-090-ES009-1400	115.35

Miller H Series

Rod Gland Kit 051-KR015



Rod Gland Kit 051-KR014



Rod Gland Kits (2,3,4,6,7,8) Retainer Held Iron

Rod Dia	Sales Part No	List Price
5/8	MLR-051-KR014-063	\$212.89
1	MLR-051-KR014-100	262.36
1-3/8	MLR-051-KR014-138	322.52
1-3/4	MLR-051-KR014-175	436.96
2	MLR-051-KR014-200	527.24
2-1/2	MLR-051-KR014-250	649.74
3	MLR-051-KR014-300	858.26

Rod Gland Kits (2,3,4,5) Star Bushing, 1998 Style Retainer Held, Iron

Rod Dia	Sales Part No	List Price
5/8	MLR-051-KR074-063	\$270.39
1	MLR-051-KR074-100	336.44
1-3/8	MLR-051-KR074-138	396.64

Rod Gland Kits (2,3,4,6,7,8) Bolted Iron

Rod Dia	Sales Part No	List Price
5/8*	MLR-051-KR015-063	\$263.11
1*	MLR-051-KR015-100	316.73
1-3/8*	MLR-051-KR015-138	392.19
1-3/4	MLR-051-KR015-175	499.14
2	MLR-051-KR015-200	586.79
2-1/2	MLR-051-KR015-250	758.74
3	MLR-051-KR015-300	947.48

*this sized kit includes a retainer

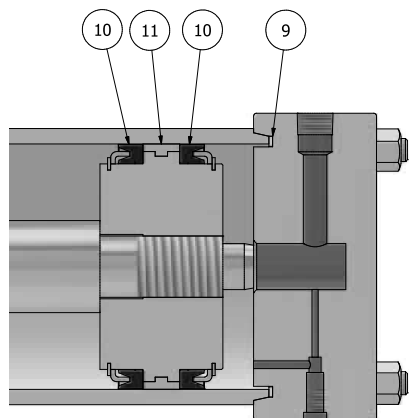
Rod Gland Kits (2,3,4,5) Star Bushing, 1998 Style Bolted, Iron

Rod Dia	Sales Part No	List Price
5/8*	MLR-051-KR075-063	\$363.20
1*	MLR-051-KR075-100	438.08
1-3/8*	MLR-051-KR075-138	513.47
1-3/4	MLR-051-KR075-175	556.43
2	MLR-051-KR075-200	655.43
2-1/2	MLR-051-KR075-250	899.91
3	MLR-051-KR075-300	1152.73
3-1/2	MLR-051-KR075-350	1546.08
4	MLR-051-KR075-400	1662.27
4-1/2	MLR-051-KR075-450	1789.03
5	MLR-051-KR075-500	2381.17
5-1/2	MLR-051-KR075-550	3331.58

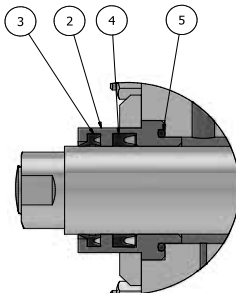
*This sized kit includes a retainer

Rod Seal Cage Assembly (3,4,6,7,8) PTFE

Rod Dia	Sales Part No	List Price
5/8	MLR-051-KR012-063	\$119.82
1	MLR-051-KR012-100	143.42
1-3/8	MLR-051-KR012-138	177.62
1-3/4	MLR-051-KR012-175	215.74
2	MLR-051-KR012-200	251.89
2-1/2	MLR-051-KR012-250	313.59
3	MLR-051-KR012-300	419.85



051-KR074 Rod Gland Kits



Components	
2	Rod Gland
3	Rod Wiper
4	Rod Seal or Hat Packing
5	Head Seal
6	Pressure Ring
7	Wave Spring
8	Cage
9	End Seal
10	Piston Seal
11	Piston Wear Ring (matl varies by size)

Rod Seal Kits (3,4,5) For Star Bushing		
Bore Dia	Sales Part No	List Price
5/8	MLR-051-KR080-063	\$32.13
1	MLR-051-KR080-100	56.77
1-3/8	MLR-051-KR080-138	75.42
1-3/4	MLR-051-KR080-175	93.49
2	MLR-051-KR080-200	104.95
2-1/2	MLR-051-KR080-250	125.29
3	MLR-051-KR080-300	225.67
3-1/2	MLR-051-KR080-350	241.79
4	MLR-051-KR080-400	271.65
4-1/2	MLR-051-KR080-450	307.05
5	MLR-051-KR080-500	328.22
5-1/2	MLR-051-KR080-550	512.94

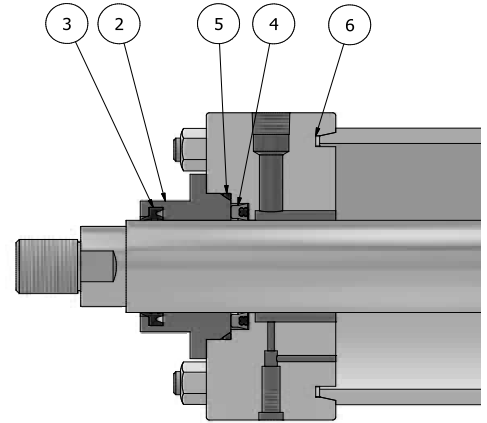
Piston Seal Kits (9,10*,11) January 1982 to Current *1-1/2 to 5 PTFE, 6 to 12 Nitrile		
Bore Dia	Sales Part No	List Price
1-1/2	MLR-171-KB001-150	\$200.07
2	MLR-171-KB001-200	231.76
2-1/2	MLR-171-KB001-250	278.60
3-1/4	MLR-171-KB001-325	331.27
4	MLR-171-KB001-400	457.39
5	MLR-171-KB001-500	531.33
6	MLR-171-KB001-600	591.30
7	MLR-171-KB001-700	833.33
8	MLR-171-KB001-800	1040.38
10	MLR-171-KB001-1000	1219.07
12	MLR-171-KB001-1200	1379.88

End Seal Kits (9) PTFE, Strip		
Bore	Sales Part No	List Price
1-1/2	MLR-090-ES006-150	\$12.53
2	MLR-090-ES006-200	21.86
2-1/2	MLR-090-ES006-250	22.97
3-1/4	MLR-090-ES006-325	26.59
4	MLR-090-ES006-400	32.93
5	MLR-090-ES006-500	35.29
6	MLR-090-ES006-600	43.59
7	MLR-090-ES006-700	42.99
8	MLR-090-ES006-800	53.74
10	MLR-090-ES006-1000	64.50
12	MLR-090-ES006-1200	75.26
14	MLR-090-ES006-1400	86.01

End Seal Kits (9) PTFE, Continuous		
Bore	Sales Part No	List Price
1-1/2	MLR-090-ES009-150	\$13.07
2	MLR-090-ES009-200	23.83
2-1/2	MLR-090-ES009-250	23.92
3-1/4	MLR-090-ES009-325	24.13
4	MLR-090-ES009-400	35.71
5	MLR-090-ES009-500	44.97
6	MLR-090-ES009-600	56.02
7	MLR-090-ES009-700	70.33
8	MLR-090-ES009-800	87.54
10	MLR-090-ES009-1000	104.42
12	MLR-090-ES009-1200	116.22
14	MLR-090-ES009-1400	115.35

Miller HV Series (Legacy)

Components	
1	Rod Gland Retainer
2	Rod Gland
3	Rod Wiper
4	Rod Seal
5	Head Seal
6	End Seal
7	Piston Seal
8	Piston Wear Ring



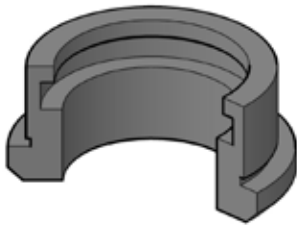
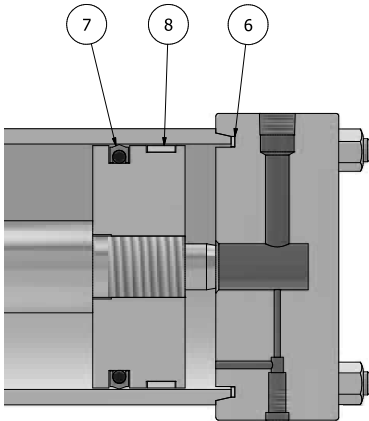
Rod Gland Kits (2,3,4,5) Retainer Held Iron, w/o Retainer		
Rod Dia	Sales Part No	List Price
5/8	MLR-051-KR064-063	\$68.23
1	MLR-051-KR064-100	80.04
1-3/8	MLR-051-KR064-138	99.69

Rod Gland Kits (1,2,3,4,5) Retainer Held Iron, w/ Retainer		
Rod Dia	Sales Part No	List Price
5/8	MLR-051-KR065-063	\$159.83
1	MLR-051-KR065-100	156.95
1-3/8	MLR-051-KR065-138	208.32

Rod Gland Kits (2,3,4,5) Bolted Iron		
Rod Dia	Sales Part No	List Price
1-3/4	MLR-051-KR065-175	\$238.20
2	MLR-051-KR065-200	255.65
2-1/2	MLR-051-KR065-250	298.77
3	MLR-051-KR065-300	342.61
3-1/2	MLR-051-KR065-350	392.12

Rod Glands Retainers (1) Iron		
Rod Dia	Sales Part No	List Price
5/8	MLR-050-RT005-063	\$60.40
1	MLR-050-RT005-100	67.36
1-3/8	MLR-050-RT005-138	86.08

Rod Glands (2) Iron		
Rod Dia	Sales Part No	List Price
1-3/4	MLR-RG065-175	\$221.36

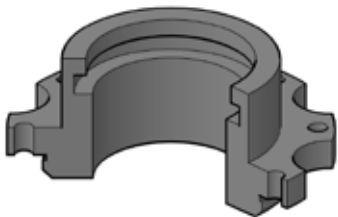


**Rod Glands (2)
Iron w/o Retainer**

Rod Dia	Sales Part No	List Price
5/8	MLR-RG065-063	\$59.07
1	MLR-RG065-100	87.95
1-3/8	MLR-RG065-138	86.01

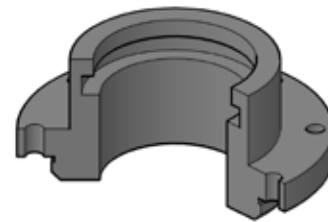
**Piston Seal Kits (6,7,8)
Urethane**

Bore Dia	Sales Part No	List Price
1-1/2	MLR-181-KB001-150	\$88.39
2	MLR-181-KB001-200	92.15
2-1/2	MLR-181-KB001-250	96.30
3-1/4	MLR-181-KB001-325	106.67
4	MLR-181-KB001-400	114.75
5	MLR-181-KB001-500	135.86
6	MLR-181-KB001-600	157.25
7	MLR-181-KB001-700	159.26
8	MLR-181-KB001-800	227.14



Rod Glands (2) Iron

Rod Dia	Sales Part No	List Price
2	MLR-RG065-200	\$239.40



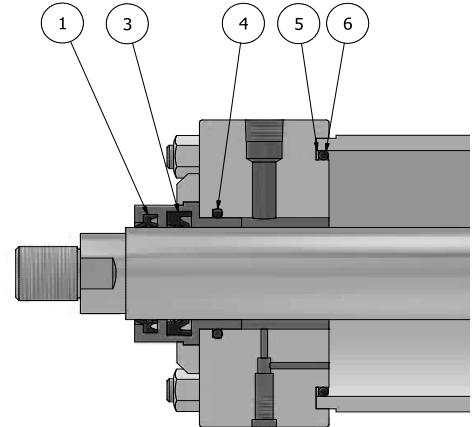
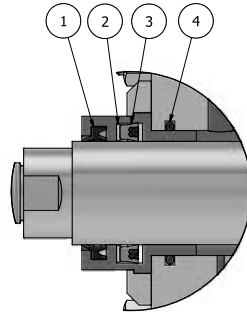
Rod Glands (2)

Rod Dia	Sales Part No	List Price
2-1/2	MLR-RG065-250	\$278.90
3	MLR-RG065-300	319.95
3-1/2	MLR-RG065-350	357.13

Miller HV Series (2019)

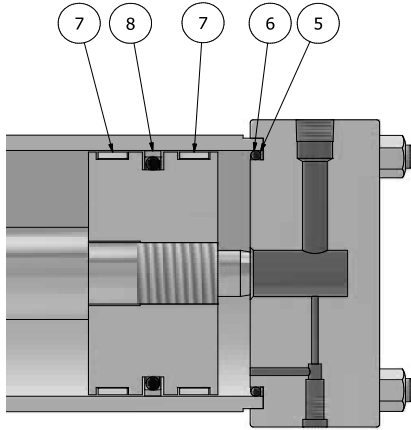
Components	
1	Rod Wiper
2	Rod Seal Back-Up
3	Rod Seal
4	Head Seal
5	End Seal Back-Up
6	End Seal
7	Piston Wear Ring
8	Piston Seal

Flurocarbon Rod Seal Kits



Rod Seal Kits (1,3,4) Urethane		
Rod Dia	Sales Part No	List Price
5/8	MLR-H-RK110-63	\$22.98
1	MLR-H-RK110-100	28.75
1-3/8	MLR-H-RK110-138	32.56
1-3/4	MLR-H-RK110-175	34.96
2	MLR-H-RK110-200	37.28
2-1/2	MLR-H-RK110-250	45.84
3	MLR-H-RK110-300	52.84
3-1/2	MLR-H-RK110-350	73.15
4	MLR-H-RK110-400	86.99

Rod Seal Kits (1,2,3,4) Fluorocarbon		
Rod Dia	Sales Part No	List Price
5/8	MLR-H-RK510-63	\$28.78
1	MLR-H-RK510-100	37.49
1-3/8	MLR-H-RK510-138	55.27
1-3/4	MLR-H-RK510-175	59.44
2	MLR-H-RK510-200	80.98
2-1/2	MLR-H-RK510-250	102.53
3	MLR-H-RK510-300	121.67
3-1/2	MLR-H-RK510-350	129.84
4	MLR-H-RK510-400	149.38



Piston Seal Kits (5*,6,7,8) Urethane/Nitrile		
Bore Dia	Sales Part No	List Price
1-1/2	MLR-H-KBH01-150	\$47.60
2	MLR-H-KBH01-200	49.22
2-1/2	MLR-H-KBH01-250	63.50
3-1/4	MLR-H-KBH01-325	91.24
4	MLR-H-KBH01-400	107.86
5	MLR-H-KBH01-500	139.90
6	MLR-H-KBH01-600	167.99
7*	MLR-H-KBH01-700	245.52

*Contains an end seal back-up

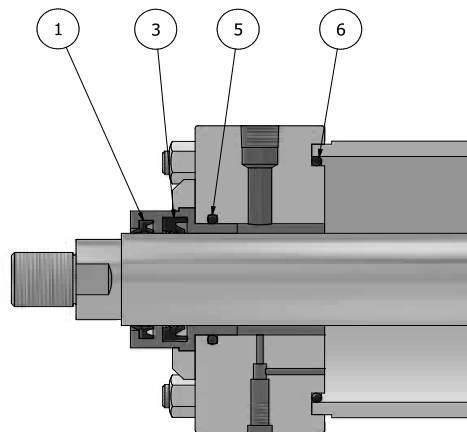
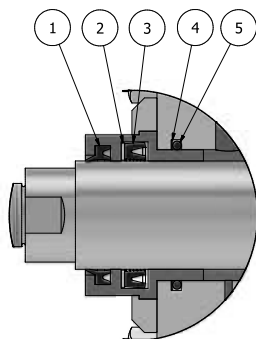
Piston Seal Kits (5,6,7,8) PTFE/Nitrile		
Bore Dia	Sales Part No	List Price
1-1/2	MLR-H-KBK02-150	\$106.73
2	MLR-H-KBK02-200	106.30
2-1/2	MLR-H-KBK02-250	113.31
3-1/4	MLR-H-KBK02-325	128.47
4	MLR-H-KBK02-400	134.26
5	MLR-H-KBK02-500	176.88
6	MLR-H-KBK02-600	182.64
7	MLR-H-KBK02-700	305.04

Piston Seal Kits (5,6,7,8) PTFE/Fluorocarbon		
Bore Dia	Sales Part No	List Price
1-1/2	MLR-H-KBK05-150	\$100.30
2	MLR-H-KBK05-200	120.09
2-1/2	MLR-H-KBK05-250	130.68
3-1/4	MLR-H-KBK05-325	148.51
4	MLR-H-KBK05-400	151.75
5	MLR-H-KBK05-500	185.37
6	MLR-H-KBK05-600	240.76
7	MLR-H-KBK05-700	270.04

Miller HV2 Series

Components	
1	Rod Wiper
2	Rod Seal Back-Up
3	Rod Seal
4	Head Seal Back-Up
5	Head Seal
6	End Seal
7	Piston Seal
8	Piston Seal Back-Up
9	Piston Wear Ring

2002 Rod Seal Kits



2002 Rod Seal Kits (1,3,4,5) Urethane/Nitrile

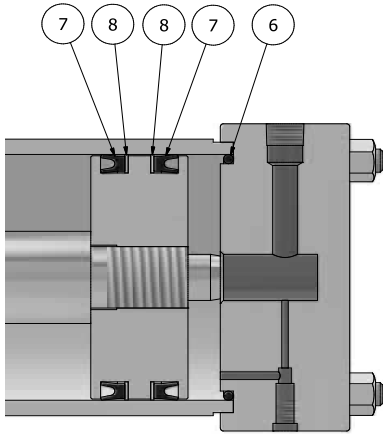
Rod Dia	Sales Part No	List Price
5/8	MLR-HV2-KR300-63	\$43.73
1	MLR-HV2-KR300-100	29.61
1-3/8	MLR-HV2-KR300-138	33.54
1-3/4	MLR-HV2-KR300-175	36.01
2	MLR-HV2-KR300-200	38.40
2-1/2	MLR-HV2-KR300-250	47.22
3	MLR-HV2-KR300-300	54.42
3-1/2	MLR-HV2-KR300-350	83.05
4	MLR-HV2-KR300-400	94.04

2002 Rod Seal Kits (1,2,3,4,5) Fluorocarbon

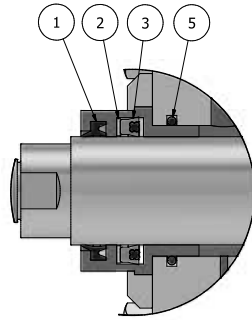
Rod Dia	Sales Part No	List Price
5/8	MLR-HV2-KR400-63	\$32.37
1	MLR-HV2-KR400-100	31.49
1-3/8	MLR-HV2-KR400-138	56.12
1-3/4	MLR-HV2-KR400-175	60.85
2	MLR-HV2-KR400-200	70.81
2-1/2	MLR-HV2-KR400-250	81.61
3	MLR-HV2-KR400-300	88.83
3-1/2	MLR-HV2-KR400-350	96.26
4	MLR-HV2-KR400-400	104.61

2002 Rod Seal Kits (1,2,3,4,5) Nitrile

Rod Dia	Sales Part No	List Price
5/8	MLR-HV2-KR600-63	\$31.21
1	MLR-HV2-KR600-100	32.62
1-3/8	MLR-HV2-KR600-138	37.67
1-3/4	MLR-HV2-KR600-175	43.12
2	MLR-HV2-KR600-200	47.47
2-1/2	MLR-HV2-KR600-250	52.26
3	MLR-HV2-KR600-300	58.08
3-1/2	MLR-HV2-KR600-350	65.15
4	MLR-HV2-KR600-400	73.20



2004 Fluorocarbon Rod Seal Kits



2004 Rod Seal Kits (1,3,5) Urethane/Nitrile		
Rod Dia	Sales Part No	List Price
5/8	MLR-HV2-KR310-63	\$23.67
1	MLR-HV2-KR310-100	29.61
1-3/8	MLR-HV2-KR310-138	33.54
1-3/4	MLR-HV2-KR310-175	36.01
2	MLR-HV2-KR310-200	38.40
2-1/2	MLR-HV2-KR310-250	47.22
3	MLR-HV2-KR310-300	54.42
3-1/2	MLR-HV2-KR310-350	75.35
4	MLR-HV2-KR310-400	89.60

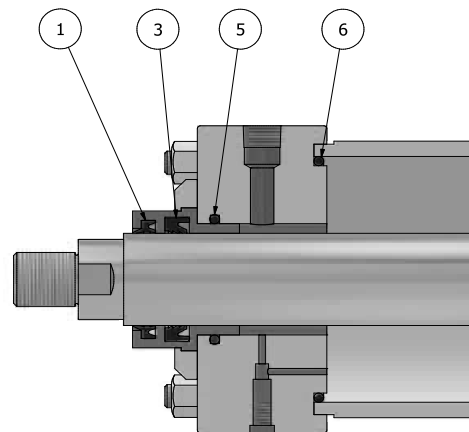
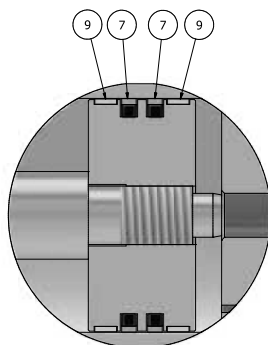
2004 Rod Seal Kits (1,2*,3,5) Fluorocarbon		
Rod Dia	Sales Part No	List Price
5/8	MLR-HV2-KR410-63	\$29.64
1	MLR-HV2-KR410-100	38.61
1-3/8*	MLR-HV2-KR410-138	56.92
1-3/4*	MLR-HV2-KR410-175	61.22
2*	MLR-HV2-KR410-200	146.62
2-1/2*	MLR-HV2-KR410-250	105.61
3*	MLR-HV2-KR410-300	125.32
3-1/2*	MLR-HV2-KR410-350	133.74
4*	MLR-HV2-KR410-400	153.86
5*	MLR-HV2-KR410-500	219.75
5-1/2*	MLR-HV2-KR410-550	264.14

*Contains an end seal back-up

Miller HV2 Series

Components	
1	Rod Wiper
2	Rod Seal Back-Up
3	Rod Seal
4	Head Seal Back-Up
5	Head Seal
6	End Seal
7	Piston Seal
8	Piston Seal Back-Up
9	Piston Wear Ring

High Load Piston Kits

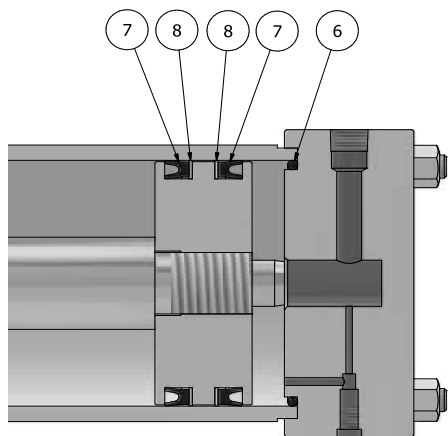


Lip Seal Piston Kits (6,7,8) Nitrile		
Bore Dia	Sales Part No	List Price
1-1/2	MLR-HV2-KB100-150	\$17.55
2	MLR-HV2-KB100-200	20.67
2-1/2	MLR-HV2-KB100-250	23.98
3-1/4	MLR-HV2-KB100-325	29.71
4	MLR-HV2-KB100-400	39.06
5	MLR-HV2-KB100-500	45.56
6	MLR-HV2-KB100-600	45.56

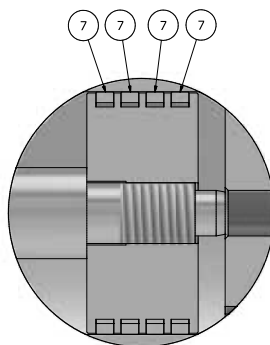
Lip Seal Piston Kits (6,7,8) Fluorocarbon		
Bore Dia	Sales Part No	List Price
1-1/2	MLR-HV2-KB200-150	\$79.88
2	MLR-HV2-KB200-200	91.18
2-1/2	MLR-HV2-KB200-250	127.96
3-1/4	MLR-HV2-KB200-325	149.34
4	MLR-HV2-KB200-400	160.98
5	MLR-HV2-KB200-500	204.30
6	MLR-HV2-KB200-600	271.53

High Load Piston Seal Kits (6,7,9) Nitrile		
Bore Dia	Sales Part No	List Price
1-1/2	MLR-HV2-KB500-150	\$39.73
2	MLR-HV2-KB500-200	51.57
2-1/2	MLR-HV2-KB500-250	49.72
3-1/4	MLR-HV2-KB500-325	65.64
4	MLR-HV2-KB500-400	57.18
5	MLR-HV2-KB500-500	64.14
6	MLR-HV2-KB500-600	117.69

High Load Piston Seal Kits (6,7,9) Fluorocarbon		
Bore Dia	Sales Part No	List Price
1-1/2	MLR-HV2-KB600-150	\$68.88
2	MLR-HV2-KB600-200	77.99
2-1/2	MLR-HV2-KB600-250	83.84
3-1/4	MLR-HV2-KB600-325	184.64
4	MLR-HV2-KB600-400	204.32
5	MLR-HV2-KB600-500	226.10
6	MLR-HV2-KB600-600	352.55



Cast Iron Piston Seal Kits



Cast Iron Piston Seal Kits (6,7) Nitrile		
Bore Dia	Sales Part No	List Price
1-1/2	MLR-HV2-KB300-150	\$72.80
2	MLR-HV2-KB300-200	77.68
2-1/2	MLR-HV2-KB300-250	78.55
3-1/4	MLR-HV2-KB300-325	84.94
4	MLR-HV2-KB300-400	87.44
5	MLR-HV2-KB300-500	115.17
6	MLR-HV2-KB300-600	173.14

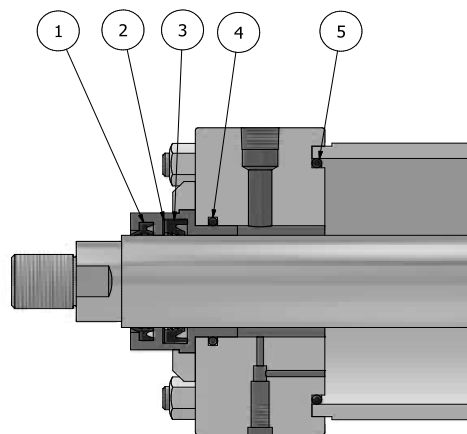
Cast Iron Piston Seal Kits (6,7) Fluorocarbon		
Bore Dia	Sales Part No	List Price
1-1/2	MLR-HV2-KB400-150	\$84.33
2	MLR-HV2-KB400-200	87.41
2-1/2	MLR-HV2-KB400-250	88.64
3-1/4	MLR-HV2-KB400-325	105.60
4	MLR-HV2-KB400-400	107.60
5	MLR-HV2-KB400-500	152.57
6	MLR-HV2-KB400-600	184.64

End Seal Kits (6) Nitrile		
Bore Dia	Sales Part No	List Price
1-1/2	MLR-HV2-ES100-150	\$10.91
2	MLR-HV2-ES100-200	11.47
2-1/2	MLR-HV2-ES100-250	11.94
3-1/4	MLR-HV2-ES100-325	12.64
4	MLR-HV2-ES100-400	13.18
5	MLR-HV2-ES100-500	15.19
6	MLR-HV2-ES100-600	15.19

End Seal Kits (6) Fluorocarbon		
Bore Dia	Sales Part No	List Price
1-1/2	MLR-HV2-ES200-150	\$14.93
2	MLR-HV2-ES200-200	25.53
2-1/2	MLR-HV2-ES200-250	31.86
3-1/4	MLR-HV2-ES200-325	38.74
4	MLR-HV2-ES200-400	48.46
5	MLR-HV2-ES200-500	69.96
6	MLR-HV2-ES200-600	73.17

Miller JV Series

Components	
1	Rod Wiper
2	Rod Seal Back-Up
3	Rod Seal
4	Head Seal
5	End Seal
6	Piston Seal
7	Piston Seal Back-Up

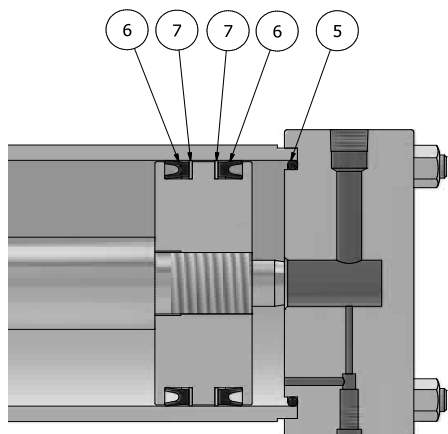


Rod Seal Kits (1,3,4) Urethane *1/2" kit contains nitrile u-cup and PTFE b/u		
Rod Dia	Sales Part No	List Price
1/2*	MLR-JV-KR300-50	\$27.41
5/8	MLR-JV-KR300-63	27.86
1	MLR-JV-KR300-100	29.18
1-3/8	MLR-JV-KR300-138	29.92
1-3/4	MLR-JV-KR300-175	35.89
2	MLR-JV-KR300-200	42.02
2-1/2	MLR-JV-KR300-250	45.21
3	MLR-JV-KR300-300	59.90
3-1/2	MLR-JV-KR300-350	67.25
4	MLR-JV-KR300-400	79.61
4-1/2	MLR-JV-KR300-450	85.67
5	MLR-JV-KR300-500	95.23
5-1/2	MLR-JV-KR300-550	100.89

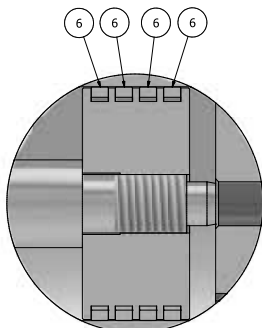
Lip Seal Piston Kits (5,6,7) Nitrile		
Bore Dia	Sales Part No	List Price
1	MLR-JV-KB100-100	\$8.52
1-1/2	MLR-JV-KB100-150	10.07
2	MLR-JV-KB100-200	11.84
2-1/2	MLR-JV-KB100-250	13.68
3-1/4	MLR-JV-KB100-325	17.01
4	MLR-JV-KB100-400	21.26
5	MLR-JV-KB100-500	26.05
6	MLR-JV-KB100-600	33.88
8	MLR-JV-KB100-800	98.21

Rod Seal Kits (1,2,3,4) Fluorocarbon		
Rod Dia	Sales Part No	List Price
1/2	MLR-JV-KR400-50	\$35.19
5/8	MLR-JV-KR400-63	39.96
1	MLR-JV-KR400-100	40.07
1-3/8	MLR-JV-KR400-138	41.66
1-3/4	MLR-JV-KR400-175	44.14
2	MLR-JV-KR400-200	47.63
2-1/2	MLR-JV-KR400-250	56.56
3	MLR-JV-KR400-300	66.62
3-1/2	MLR-JV-KR400-350	86.76
4	MLR-JV-KR400-400	126.66

Lip Seal Piston Kits (5,6,7) Fluorocarbon		
Bore Dia	Sales Part No	List Price
1	MLR-JV-KB200-100	\$32.38
1-1/2	MLR-JV-KB200-150	45.68
2	MLR-JV-KB200-200	52.13
2-1/2	MLR-JV-KB200-250	73.14
3-1/4	MLR-JV-KB200-325	85.34
4	MLR-JV-KB200-400	91.96
5	MLR-JV-KB200-500	116.70
6	MLR-JV-KB200-600	155.10
8	MLR-JV-KB200-800	336.18



Cast Iron Piston Seal Kits



Cast Iron Piston Seal Kits (5,6) Nitrile		
Bore Dia	Sales Part No	List Price
1	MLR-JV-KB300-100	\$74.89
1-1/2	MLR-JV-KB300-150	41.88
2	MLR-JV-KB300-200	44.69
2-1/2	MLR-JV-KB300-250	45.20
3-1/4	MLR-JV-KB300-325	48.87
4	MLR-JV-KB300-400	50.33
5	MLR-JV-KB300-500	66.28
6	MLR-JV-KB300-600	99.65
8	MLR-JV-KB300-800	170.13

End Seal Kits (5) Nitrile		
Bore Dia	Sales Part No	List Price
1	MLR-JV-ES100-100	\$13.27
1-1/2	MLR-JV-ES100-150	10.38
2	MLR-JV-ES100-200	10.92
2-1/2	MLR-JV-ES100-250	11.37
3-1/4	MLR-JV-ES100-325	12.04
4	MLR-JV-ES100-400	12.56
5	MLR-JV-ES100-500	14.47
6	MLR-JV-ES100-600	14.47
8	MLR-JV-ES100-800	15.05

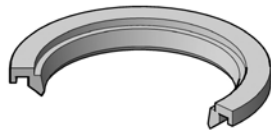
Cast Iron Piston Seal Kits (5,6) Fluorocarbon		
Bore Dia	Sales Part No	List Price
1	MLR-JV-KB400-100	\$76.12
1-1/2	MLR-JV-KB400-150	48.53
2	MLR-JV-KB400-200	50.33
2-1/2	MLR-JV-KB400-250	51.00
3-1/4	MLR-JV-KB400-325	60.78
4	MLR-JV-KB400-400	61.92
5	MLR-JV-KB400-500	87.79
6	MLR-JV-KB400-600	106.26
8	MLR-JV-KB400-800	181.55

End Seal Kits (5) Fluorocarbon		
Bore Dia	Sales Part No	List Price
1	MLR-JV-ES200-100	\$13.93
1-1/2	MLR-JV-ES200-150	14.23
2	MLR-JV-ES200-200	24.32
2-1/2	MLR-JV-ES200-250	30.35
3-1/4	MLR-JV-ES200-325	36.89
4	MLR-JV-ES200-400	46.16
5	MLR-JV-ES200-500	66.63
6	MLR-JV-ES200-600	69.68
8	MLR-JV-ES200-800	71.21

Hat Packing

For Hydraulic Service
PTFE

For Air & Water Service
Nitrile



Rod Dia.	Part #	List Price	Part #	List Price
5/8"	MLR-051-RS007-063	\$14.92	MLR-051-RS014-063	\$17.30
1"	MLR-051-RS007-100	19.17	MLR-051-RS014-100	28.34
1-3/8"	MLR-051-RS007-138	22.58	MLR-051-RS014-138	17.68
1-3/4"	MLR-051-RS007-175	23.78	MLR-051-RS014-175	22.31
2"	MLR-051-RS007-200	24.60	MLR-051-RS014-200	31.03
2-1/2"	MLR-051-RS007-250	31.53	MLR-051-RS014-250	36.24
3"	MLR-051-RS007-300	43.89	MLR-051-RS014-300	39.94
3-1/2"	MLR-051-RS007-350	55.96	MLR-051-RS014-350	54.56
4"	MLR-051-RS007-400	60.21	MLR-051-RS014-400	64.90
4-1/2"	MLR-051-RS007-450	70.10	MLR-051-RS014-450	74.89
5"	MLR-051-RS007-500	75.41	MLR-051-RS014-550	95.09
5-1/2"	MLR-051-RS007-550	88.55	—	—
7"	MLR-051-RS007-700	79.81	—	—
8"	MLR-051-RS007-800	83.56	—	—
9"	MLR-051-RS007-900	83.61	—	—
10"	MLR-051-RS007-1000	163.62	—	—

PTFE Wiper "U" Style

A, C, J, M, & H Cylinders

Rod Dia.	Part #	List Price
5/8"	MLR-051-WP001-063	\$10.76
1"	MLR-051-WP001-100	12.76
1-3/8"	MLR-051-WP001-138	16.11
1-3/4"	MLR-051-WP001-175	19.59
2"	MLR-051-WP001-200	22.34
2-1/2"	MLR-051-WP001-250	38.87
3"	MLR-051-WP001-300	43.39
3-1/2"	MLR-051-WP001-350	49.03
4"	MLR-051-WP001-400	55.68
4-1/2"	MLR-051-WP001-450	72.89
5"	MLR-051-WP001-500	78.53
5-1/2"	MLR-051-WP001-550	79.87
7"	MLR-051-WP001-700	78.06
8"	MLR-051-WP001-800	69.28
9"	MLR-051-WP001-900	87.95
10"	MLR-051-WP001-1000	129.78

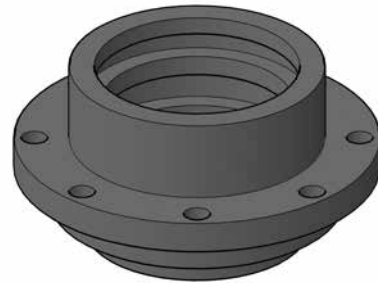


Iron Gland

Star Bushing Style A, J, & H Cylinders

Retainer Held

Bolted



Rod Dia.	Part #	List Price	Part #	List Price
5/8"	MLR-050-BU100-063	\$181.27	MLR-050-BU101-063	\$221.97
1"	MLR-050-BU100-100	221.85	MLR-050-BU101-100	272.07
1-3/8"	MLR-050-BU100-138	227.58	MLR-050-BU101-138	334.24
1-3/4"	—		MLR-050-BU101-175	336.38
2"	—		MLR-050-BU101-200	415.47
2-1/2"	—		MLR-050-BU101-250	581.91
3"	—		MLR-050-BU101-300	646.10
3-1/2"	—		MLR-050-BU101-350	315.15
4"	—		MLR-050-BU101-400	1118.48
4-1/2"	—		MLR-050-BU101-450	1210.25
5"	—		MLR-050-BU101-500	1375.20
5-1/2"	—		MLR-050-BU101-550	1507.06

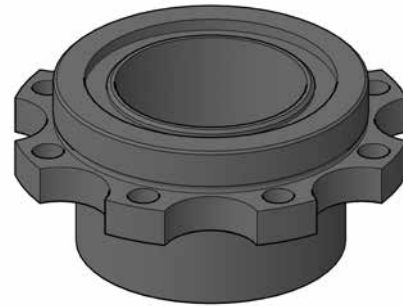
Bolted bushings from: 5/8" to 1-3/4" have 4 bolt holes
 2" to 4-1/2" have 8 bolt holes
 5" to 5-1/2" have 12 bolt holes

A, C, J, M, & H Cylinders

Retainer Held



Bolted



Rod Dia.	Part #	List Price	Part #	List Price
5/8"	MLR-050-BU022-063	\$95.71	MLR-050-BU024-063	\$204.01
1"	MLR-050-BU022-100	120.01	MLR-050-BU024-100	245.75
1-3/8"	MLR-050-BU022-138	145.59	MLR-050-BU024-138	316.21
1-3/4"	MLR-050-BU022-175	208.51	MLR-050-BU024-175	319.80
2"	MLR-050-BU022-200	259.63	MLR-050-BU024-200	358.94
2-1/2"	MLR-050-BU022-250	418.73	MLR-050-BU024-250	414.26
3"	MLR-050-BU022-300	421.24	MLR-050-BU024-300	491.45

Bolted bushings from: 5/8" to 1-3/4" have 4 bolt holes
 2" to 4-1/2" have 8 bolt holes
 5" to 5-1/2" have 12 bolt holes

Retainer

A, C, J, M, H & HV Cylinders

Rod Dia.	Part #	List Price
5/8"	MLR-050-RT005-063	\$60.40
1"	MLR-050-RT005-100	67.36
1-3/8"	MLR-050-RT005-138	86.08

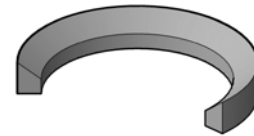
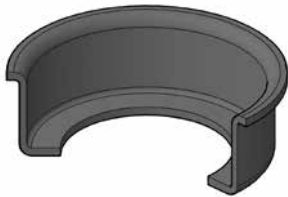


Caged Assembly Components

Rod Seal Cage

Wave Spring

Bronze Pressure Ring



Rod Dia.	Part #	List Price	Part #	List Price	Part #	List Price
5/8"	MLR-051-CG001-063	\$38.88	MLR-051-WS004-063	\$27.97	MLR-051-PG001-063	\$34.50
1"	MLR-051-CG001-100	47.48	MLR-051-WS004-100	27.97	MLR-051-PG001-100	43.07
1-3/8"	MLR-051-CG001-138	50.79	MLR-051-WS004-138	27.97	MLR-051-PG001-138	63.98
1-3/4"	MLR-051-CG001-175	52.76	MLR-051-WS004-175	27.97	MLR-051-PG001-175	86.91
2"	MLR-051-CG001-200	58.92	MLR-051-WS003-200	34.01	MLR-051-PG001-200	101.62
2-1/2"	MLR-051-CG001-250	65.46	MLR-051-WS003-250	35.78	MLR-051-PG001-250	126.66
3"	MLR-051-CG001-300	91.32	MLR-051-WS003-300	42.88	MLR-051-PG001-300	177.37

Tube End Seals

Continuous PTFE

A, C, J, M, ER500, & ER3000



H & ER6000



Bore Dia.	Part #	List Price	Part #	List Price
1-1/2"	MLR-090-ES009-150	\$13.07	MLR-170-ES010-150	\$20.08
2"	MLR-090-ES009-200	23.83	MLR-170-ES010-200	28.42
2-1/2"	MLR-090-ES009-250	23.92	MLR-170-ES010-250	36.88
3-1/4"	MLR-090-ES009-325	24.13	MLR-170-ES010-325	38.43
4"	MLR-090-ES009-400	35.71	MLR-170-ES010-400	45.98
5"	MLR-090-ES009-500	44.97	MLR-170-ES010-500	55.10
6"	MLR-090-ES009-600	56.02	MLR-170-ES010-600	63.77
7"	MLR-090-ES009-700	70.33	MLR-170-ES010-700	72.38
8"	MLR-090-ES009-800	87.54	MLR-170-ES010-800	90.64
10"	MLR-090-ES009-1000	104.42	MLR-170-ES010-1000	105.22
12"	MLR-090-ES009-1200	116.22	MLR-170-ES010-1200	117.25
14"	MLR-090-ES009-1400	115.35	—	

Various Kits

Kit #	Bore	List Price
MLR-150-KB001-325	3-1/4"	\$363.42
MLR-150-KB001-500	5"	611.28

Kit Includes:

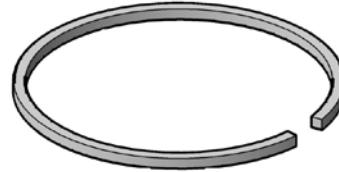
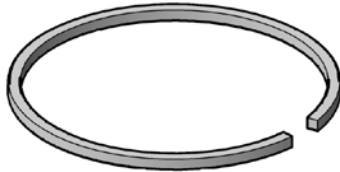
- 2 Leather Piston Cups
- 2 PTFE Tube End Seals
- 1 PTFE Follower Seal

Tube End Seals

Strip PTFE

A, C, J, M, ER500, & ER3000

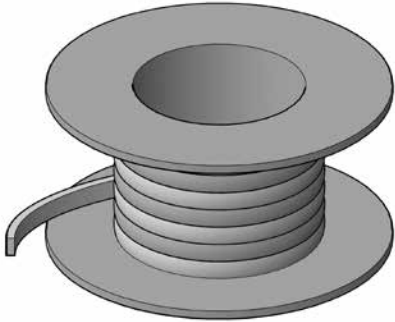
H & ER6000



Bore Dia.	Part #	List Price	Part #	List Price
1-1/2"	MLR-090-ES006-150	\$12.53	MLR-170-ES006-150	\$12.32
2"	MLR-090-ES006-200	21.86	MLR-170-ES006-200	22.45
2-1/2"	MLR-090-ES006-250	22.97	MLR-170-ES006-250	22.73
3-1/4"	MLR-090-ES006-325	26.59	MLR-170-ES006-325	23.45
4"	MLR-090-ES006-400	32.93	MLR-170-ES006-400	33.43
5"	MLR-090-ES006-500	35.29	MLR-170-ES006-500	35.19
6"	MLR-090-ES006-600	43.59	MLR-170-ES006-600	41.65
7"	MLR-090-ES006-700	42.99	MLR-170-ES006-700	42.99
8"	MLR-090-ES006-800	53.74	MLR-170-ES006-800	53.74
10"	MLR-090-ES006-1000	64.50	MLR-170-ES006-1000	64.50
12"	MLR-090-ES006-1200	75.26	MLR-170-ES006-1200	75.26
14"	MLR-090-ES006-1400	86.01	MLR-170-ES006-1400	86.01
18"	—		MLR-170-ES006-1800	107.52

PTFE Tube Seal Cord

A, C, J, M, & H Cylinders



Part #	Radial Wall	Width	List Price
MLR-008-SH001-30	.030	.070	\$199.12
Includes: 30' spool of PTFE Head Seal			
MLR-SH1-STRIP	.030	.070	11.52

Piston U-Seals

All Current Style Cylinders

Buna-N




PTFE



Bore Dia.	Part #	List Price	Part #	List Price
1-1/2"	MLR-052-PS025-150	\$28.48	MLR-052-PS017-150	\$24.53
2"	MLR-052-PS025-200	29.55	MLR-052-PS017-200	24.69
2-1/2"	MLR-052-PS025-250	31.31	MLR-052-PS017-250	29.13
3-1/4"	MLR-052-PS025-325	33.98	MLR-052-PS017-325	38.05
4"	MLR-052-PS025-400	33.71	MLR-052-PS017-400	50.46
5"	MLR-052-PS025-500	40.14	MLR-052-PS017-500	75.67
6"	MLR-052-PS025-600	51.42	MLR-052-PS017-600	86.51
7"	MLR-052-PS025-700	32.11	MLR-052-PS017-700	105.10
8"	MLR-052-PS016-800	35.04	MLR-052-PS017-800	122.43
10"	MLR-052-PS025-1000	118.82	MLR-052-PS017-1000	193.36
12"	MLR-052-PS016-1200	83.06	MLR-052-PS017-1200	259.30
14"	MLR-052-PS025-1400	230.72	MLR-052-PS017-1400	266.64
16"	MLR-052-PS025-1600	469.87	MLR-052-PS017-1600	282.19

MILLER

Wear Rings

Air Service PTFE		Hydraulic Service Acetal		Hydraulic Service Bronze		
						
Bore Dia.	Part #	List Price	Part #	List Price	Part #	List Price
1-1/2"	MLR-052-WR005-150-25	\$43.13	MLR-052-WR009-150-25	\$37.28	—	—
2"	MLR-052-WR005-200-25	45.40	MLR-052-WR009-200-25	42.95	—	—
2"	—	—	MLR-052-WR009-200-31	43.62	—	—
2-1/2"	MLR-052-WR005-250-25	47.92	MLR-052-WR009-250-25	52.85	—	—
2-1/2"	—	—	MLR-052-WR009-250-38	56.09	—	—
3-1/4"	MLR-052-WR005-325-25	64.74	MLR-052-WR009-325-25	72.30	—	—
3-1/4"	—	—	MLR-052-WR009-325-50	80.25	—	—
4"	MLR-052-WR005-400-25	80.76	MLR-052-WR009-400-25	83.92	—	—
4"	—	—	MLR-052-WR009-400-63	113.44	—	—
5"	MLR-052-WR005-500-25	101.40	—	—	—	—
5"	—	—	MLR-052-WR009-500-75	225.55	—	—
6"	MLR-052-WR005-600-25	121.23	—	—	—	—
6"	—	—	MLR-052-WR009-600-75	292.14	—	—
7"	MLR-052-WR005-700-38	81.22	—	—	—	—
7"	—	—	—	—	MLR-052-WR008-700-75	\$300.69
8"	MLR-052-WR005-800-38	115.07	—	—	—	—
8"	—	—	—	—	MLR-052-WR008-800-125	402.58
10"	MLR-052-WR005-1000-38	121.85	—	—	—	—
10"	—	—	—	—	MLR-052-WR008-1000-125	469.70
12"	MLR-052-WR005-1200-38	153.45	—	—	—	—
12"	—	—	—	—	MLR-052-WR008-1200-125	514.21
16"	MLR-052-WR005-1600-50	238.98	—	—	—	—
18"	MLR-052-WR005-1800-50	247.22	—	—	—	—
20"	MLR-052-WR005-2000-50	286.78	—	—	—	—

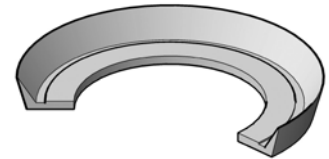
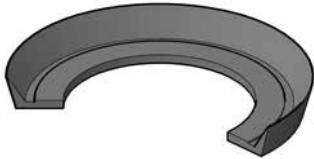
MILLER

Piston Cups

A, JW, & HW Cylinders
From 1956-1977
Nitrile

J & H Cylinders
From 1956-1977
Leather

AJ, J, & H Cylinders
From 1956-1977
PTFE



Bore Dia.	Part #	List Price	J & H Cylinders		AJ, J, & H Cylinders	
			Part #	List Price	Part #	List Price
1-1/2"	MLR-052-PS001-150	\$19.15	MLR-052-PS003-150	\$30.67	MLR-052-PS006-150	\$54.41
2"	MLR-052-PS001-200	20.47	MLR-052-PS003-200	41.46	MLR-052-PS006-200	72.53
2-1/2"	MLR-052-PS001-250	27.98	MLR-052-PS003-250	50.41	MLR-052-PS006-250	76.44
3-1/4"	MLR-052-PS001-325	43.67	MLR-052-PS003-325	79.16	MLR-052-PS006-325	68.88
4"	MLR-052-PS001-400	50.95	MLR-052-PS003-400	97.49	MLR-052-PS006-400	85.07
5"	MLR-052-PS001-500	66.01	MLR-052-PS003-500	135.60	MLR-052-PS006-500	127.37
6"	MLR-052-PS001-600	75.06	MLR-052-PS003-600	183.80	MLR-052-PS006-600	153.95
7"	—	—	—	—	MLR-052-PS006-700	352.46
8"	MLR-052-PS001-800	85.77	—	—	MLR-052-PS006-800	198.38
10"	MLR-052-PS001-1000	102.46	—	—	MLR-052-PS006-1000	255.94
12"	MLR-052-PS001-1200	423.51	—	—	MLR-052-PS006-1200	341.35

PTFE Follower Seals

J & H Cylinders
For 3 Piece Pistons From 1956-1977



Part #	Bore		I.D.	Radial Wall	Width	List Price
	H	J				
MLR-052-FS001-44	1-1/2	1-1/2, 2, 2-1/2	7/16	0.070	0.070	\$14.92
MLR-052-FS001-75	2, 2-1/2	3-1/4, 4, 5	3/4	0.070	0.070	14.24
MLR-052-FS001-100	3-1/4	6, 7, 8	1	0.142	0.142	22.08
MLR-052-FS001-125	4	10	1-1/4	0.142	0.142	24.53
MLR-052-FS001-150	5	12	1-1/2	0.142	0.142	31.03
MLR-052-FS001-188	6	14	1-7/8	0.142	0.142	34.63
MLR-052-FS001-250	8	-	2-1/2	0.142	0.142	35.82

MILLER

Sales Part Number	Description	Rod Size	Bore Size	ID	Radial Wall	Width	List Price
MLR-050-BU022-063	Iron Gland	5/8					\$95.71
MLR-050-BU022-100	Iron Gland	1					120.01
MLR-050-BU022-138	Iron Gland	1-3/8					145.59
MLR-050-BU022-175	Iron Gland	1-3/4					208.51
MLR-050-BU022-200	Iron Gland	2					259.63
MLR-050-BU022-250	Iron Gland	2-1/2					418.73
MLR-050-BU022-300	Iron Gland	3					421.24
MLR-050-BU024-063	Iron Gland	5/8					204.01
MLR-050-BU024-100	Iron Gland	1					245.75
MLR-050-BU024-138	Iron Gland	1-3/8					316.21
MLR-050-BU024-175	Iron Gland	1-3/4					319.80
MLR-050-BU024-200	Iron Gland	2					358.94
MLR-050-BU024-250	Iron Gland	2-1/2					414.26
MLR-050-BU024-300	Iron Gland	3					491.45
MLR-050-BU100-063	Iron Gland	5/8					181.27
MLR-050-BU100-100	Iron Gland	1					221.85
MLR-050-BU100-138	Iron Gland	1-3/8					227.58
MLR-050-BU101-063	Iron Gland	5/8					221.97
MLR-050-BU101-100	Iron Gland	1					272.07
MLR-050-BU101-138	Iron Gland	1-3/8					334.24
MLR-050-BU101-175	Iron Gland	1-3/4					336.38
MLR-050-BU101-200	Iron Gland	2					415.47
MLR-050-BU101-250	Iron Gland	2-1/2					581.91
MLR-050-BU101-300	Iron Gland	3					646.10
MLR-050-BU101-350	Iron Gland	3-1/2					315.15
MLR-050-BU101-400	Iron Gland	4					1118.48
MLR-050-BU101-450	Iron Gland	4-1/2					1210.25
MLR-050-BU101-500	Iron Gland	5					1375.20
MLR-050-BU101-550	Iron Gland	5-1/2					1507.06
MLR-050-RT005-063	Retainer	5/8					60.40
MLR-050-RT005-100	Retainer	1					67.36
MLR-050-RT005-138	Retainer	1-3/8					86.08
MLR-051-CG001-063	Rod Seal Cage	5/8					38.88
MLR-051-CG001-100	Rod Seal Cage	1					47.48
MLR-051-CG001-138	Rod Seal Cage	1-3/8					50.79
MLR-051-CG001-175	Rod Seal Cage	1-3/4					52.76
MLR-051-CG001-200	Rod Seal Cage	2					58.92
MLR-051-CG001-250	Rod Seal Cage	2-1/2					65.46
MLR-051-CG001-300	Rod Seal Cage	3					91.32
MLR-051-KR010-063	Rod Kit - Gland	5/8					118.81
MLR-051-KR010-100	Rod Kit - Gland	1					159.90
MLR-051-KR010-138	Rod Kit - Gland	1-3/8					181.66
MLR-051-KR010-175	Rod Kit - Gland	1-3/4					266.83
MLR-051-KR010-200	Rod Kit - Gland	2					312.11
MLR-051-KR010-250	Rod Kit - Gland	2-1/2					449.11
MLR-051-KR010-300	Rod Kit - Gland	3					586.13
MLR-051-KR011-063	Rod Kit - Gland	5/8					201.81
MLR-051-KR011-100	Rod Kit - Gland	1					233.46
MLR-051-KR011-138	Rod Kit - Gland	1-3/8					252.71
MLR-051-KR011-175	Rod Kit - Gland	1-3/4					397.46

MILLER

MILLER

Sales Part Number	Description	Rod Size	Bore Size	ID	Radial Wall	Width	List Price
MLR-051-KR011-200	Rod Kit - Gland	2					\$450.19
MLR-051-KR011-250	Rod Kit - Gland	2-1/2					578.91
MLR-051-KR011-300	Rod Kit - Gland	3					694.78
MLR-051-KR012-063	Rod Kit - Cage Assembly	5/8					119.82
MLR-051-KR012-100	Rod Kit - Cage Assembly	1					143.42
MLR-051-KR012-138	Rod Kit - Cage Assembly	1-3/8					177.62
MLR-051-KR012-175	Rod Kit - Cage Assembly	1-3/4					215.74
MLR-051-KR012-200	Rod Kit - Cage Assembly	2					251.89
MLR-051-KR012-250	Rod Kit - Cage Assembly	2-1/2					313.59
MLR-051-KR012-300	Rod Kit - Cage Assembly	3					419.85
MLR-051-KR014-063	Rod Kit - Gland	5/8					212.89
MLR-051-KR014-100	Rod Kit - Gland	1					262.36
MLR-051-KR014-138	Rod Kit - Gland	1-3/8					322.52
MLR-051-KR014-175	Rod Kit - Gland	1-3/4					436.96
MLR-051-KR014-200	Rod Kit - Gland	2					527.24
MLR-051-KR014-250	Rod Kit - Gland	2-1/2					649.74
MLR-051-KR014-300	Rod Kit - Gland	3					858.26
MLR-051-KR015-063	Rod Kit - Gland	5/8					263.11
MLR-051-KR015-100	Rod Kit - Gland	1					316.73
MLR-051-KR015-138	Rod Kit - Gland	1-3/8					392.19
MLR-051-KR015-175	Rod Kit - Gland	1-3/4					499.14
MLR-051-KR015-200	Rod Kit - Gland	2					586.79
MLR-051-KR015-250	Rod Kit - Gland	2-1/2					758.74
MLR-051-KR015-300	Rod Kit - Gland	3					947.48
MLR-051-KR024-063	Rod Kit - Cage Assembly	5/8					108.65
MLR-051-KR024-100	Rod Kit - Cage Assembly	1					130.18
MLR-051-KR024-138	Rod Kit - Cage Assembly	1-3/8					160.88
MLR-051-KR024-175	Rod Kit - Cage Assembly	1-3/4					195.38
MLR-051-KR024-200	Rod Kit - Cage Assembly	2					228.63
MLR-051-KR024-250	Rod Kit - Cage Assembly	2-1/2					273.12
MLR-051-KR024-300	Rod Kit - Cage Assembly	3					374.66
MLR-051-KR064-063	Rod Kit - Gland	5/8					68.23
MLR-051-KR064-100	Rod Kit - Gland	1					80.04
MLR-051-KR064-138	Rod Kit - Gland	1-3/8					99.69
MLR-051-KR065-063	Rod Kit - Gland	5/8					159.83
MLR-051-KR065-100	Rod Kit - Gland	1					156.95
MLR-051-KR065-138	Rod Kit - Gland	1-3/8					208.32
MLR-051-KR065-175	Rod Kit - Gland	1-3/4					238.20
MLR-051-KR065-200	Rod Kit - Gland	2					255.65
MLR-051-KR065-250	Rod Kit - Gland	2-1/2					298.77
MLR-051-KR065-300	Rod Kit - Gland	3					342.61
MLR-051-KR065-350	Rod Kit - Gland	3-1/2					392.12
MLR-051-KR074-063	Rod Kit - Gland	5/8					270.39
MLR-051-KR074-100	Rod Kit - Gland	1					336.44
MLR-051-KR074-138	Rod Kit - Gland	1-3/8					396.64
MLR-051-KR075-063	Rod Kit - Gland	5/8					363.20
MLR-051-KR075-100	Rod Kit - Gland	1					438.08
MLR-051-KR075-138	Rod Kit - Gland	1-3/8					513.47
MLR-051-KR075-175	Rod Kit - Gland	1-3/4					556.43
MLR-051-KR075-200	Rod Kit - Gland	2					655.43

Sales Part Number	Description	Rod Size	Bore Size	ID	Radial Wall	Width	List Price
MLR-051-KR075-250	Rod Kit - Gland	2-1/2					\$899.91
MLR-051-KR075-300	Rod Kit - Gland	3					1152.73
MLR-051-KR075-350	Rod Kit - Gland	3-1/2					1546.08
MLR-051-KR075-400	Rod Kit - Gland	4					1662.27
MLR-051-KR075-450	Rod Kit - Gland	4-1/2					1789.03
MLR-051-KR075-500	Rod Kit - Gland	5					2381.17
MLR-051-KR075-550	Rod Kit - Gland	5-1/2					3331.58
MLR-051-KR080-063	Rod Kit - Seal	5/8					32.13
MLR-051-KR080-100	Rod Kit - Seal	1					56.77
MLR-051-KR080-138	Rod Kit - Seal	1-3/8					75.42
MLR-051-KR080-175	Rod Kit - Seal	1-3/4					93.49
MLR-051-KR080-200	Rod Kit - Seal	2					104.95
MLR-051-KR080-250	Rod Kit - Seal	2-1/2					125.29
MLR-051-KR080-300	Rod Kit - Seal	3					225.67
MLR-051-KR080-350	Rod Kit - Seal	3-1/2					241.79
MLR-051-KR080-400	Rod Kit - Seal	4					271.65
MLR-051-KR080-450	Rod Kit - Seal	4-1/2					307.05
MLR-051-KR080-500	Rod Kit - Seal	5					328.22
MLR-051-KR080-550	Rod Kit - Seal	5-1/2					512.94
MLR-051-PG001-063	Bronze Pressure Ring	5/8					34.50
MLR-051-PG001-100	Bronze Pressure Ring	1					43.07
MLR-051-PG001-138	Bronze Pressure Ring	1-3/8					63.98
MLR-051-PG001-175	Bronze Pressure Ring	1-3/4					86.91
MLR-051-PG001-200	Bronze Pressure Ring	2					101.62
MLR-051-PG001-250	Bronze Pressure Ring	2-1/2					126.66
MLR-051-PG001-300	Bronze Pressure Ring	3					177.37
MLR-051-RS007-063	Hat Packing - PTFE	5/8					14.92
MLR-051-RS007-100	Hat Packing - PTFE	1					19.17
MLR-051-RS007-1000	Hat Packing - PTFE	10					163.62
MLR-051-RS007-138	Hat Packing - PTFE	1-3/8					22.58
MLR-051-RS007-175	Hat Packing - PTFE	1-3/4					23.78
MLR-051-RS007-200	Hat Packing - PTFE	2					24.60
MLR-051-RS007-250	Hat Packing - PTFE	2-1/2					31.53
MLR-051-RS007-300	Hat Packing - PTFE	3					43.89
MLR-051-RS007-350	Hat Packing - PTFE	3-1/2					55.96
MLR-051-RS007-400	Hat Packing - PTFE	4					60.21
MLR-051-RS007-450	Hat Packing - PTFE	4-1/2					70.10
MLR-051-RS007-500	Hat Packing - PTFE	5					75.41
MLR-051-RS007-550	Hat Packing - PTFE	5-1/2					88.55
MLR-051-RS007-700	Hat Packing - PTFE	7					79.81
MLR-051-RS007-800	Hat Packing - PTFE	8					83.56
MLR-051-RS007-900	Hat Packing - PTFE	9					83.61
MLR-051-RS014-063	Hat Packing - Nitrile	5/8					17.30
MLR-051-RS014-100	Hat Packing - Nitrile	1					28.34
MLR-051-RS014-138	Hat Packing - Nitrile	1-3/8					17.68
MLR-051-RS014-175	Hat Packing - Nitrile	1-3/4					22.31
MLR-051-RS014-200	Hat Packing - Nitrile	2					31.03
MLR-051-RS014-250	Hat Packing - Nitrile	2-1/2					36.24
MLR-051-RS014-300	Hat Packing - Nitrile	3					39.94
MLR-051-RS014-350	Hat Packing - Nitrile	3-1/2					54.56

MILLER

MILLER

Sales Part Number	Description	Rod Size	Bore Size	ID	Radial Wall	Width	List Price
MLR-051-RS014-400	Hat Packing - Nitrile	4					\$64.90
MLR-051-RS014-450	Hat Packing - Nitrile	4-1/2					74.89
MLR-051-RS014-550	Hat Packing - Nitrile	5-1/2					95.09
MLR-051-WP001-063	U' Style Wiper - PTFE	5/8					10.76
MLR-051-WP001-100	U' Style Wiper - PTFE	1					12.76
MLR-051-WP001-1000	U' Style Wiper - PTFE	10					129.78
MLR-051-WP001-138	U' Style Wiper - PTFE	1-3/8					16.11
MLR-051-WP001-175	U' Style Wiper - PTFE	1-3/4					19.59
MLR-051-WP001-200	U' Style Wiper - PTFE	2					22.34
MLR-051-WP001-250	U' Style Wiper - PTFE	2-1/2					38.87
MLR-051-WP001-300	U' Style Wiper - PTFE	3					43.39
MLR-051-WP001-350	U' Style Wiper - PTFE	3-1/2					49.03
MLR-051-WP001-400	U' Style Wiper - PTFE	4					55.68
MLR-051-WP001-450	U' Style Wiper - PTFE	4-1/2					72.89
MLR-051-WP001-500	U' Style Wiper - PTFE	5					78.53
MLR-051-WP001-550	U' Style Wiper - PTFE	5-1/2					79.87
MLR-051-WP001-700	U' Style Wiper - PTFE	7					78.06
MLR-051-WP001-800	U' Style Wiper - PTFE	8					69.28
MLR-051-WP001-900	U' Style Wiper - PTFE	9					87.95
MLR-051-WS003-200	Wave Spring	2					34.01
MLR-051-WS003-250	Wave Spring	2-1/2					35.78
MLR-051-WS003-300	Wave Spring	3					42.88
MLR-051-WS004-063	Wave Spring	5/8					27.97
MLR-051-WS004-100	Wave Spring	1					27.97
MLR-051-WS004-138	Wave Spring	1-3/8					27.97
MLR-051-WS004-175	Wave Spring	1-3/4					27.97
MLR-052-FS001-100	Follower Seal			1	0.142	0.142	22.08
MLR-052-FS001-125	Follower Seal			1-1/4	0.142	0.142	24.53
MLR-052-FS001-150	Follower Seal			1-1/2	0.142	0.142	31.03
MLR-052-FS001-188	Follower Seal			1-7/8	0.142	0.142	34.63
MLR-052-FS001-250	Follower Seal			2-1/2	0.142	0.142	35.82
MLR-052-FS001-44	Follower Seal			7/16	0.070	0.070	14.92
MLR-052-FS001-75	Follower Seal			3/4	0.070	0.070	14.24
MLR-052-PS001-1000	Piston Cup - Nitrile		10				102.46
MLR-052-PS001-1200	Piston Cup - Nitrile		12				423.51
MLR-052-PS001-150	Piston Cup - Nitrile		1-1/2				19.15
MLR-052-PS001-200	Piston Cup - Nitrile		2				20.47
MLR-052-PS001-250	Piston Cup - Nitrile		2-1/2				27.98
MLR-052-PS001-325	Piston Cup - Nitrile		3-1/4				43.67
MLR-052-PS001-400	Piston Cup - Nitrile		4				50.95
MLR-052-PS001-500	Piston Cup - Nitrile		5				66.01
MLR-052-PS001-600	Piston Cup - Nitrile		6				75.06
MLR-052-PS001-800	Piston Cup - Nitrile		8				85.77
MLR-052-PS003-150	Piston Cup - Leather		1-1/2				30.67
MLR-052-PS003-200	Piston Cup - Leather		2				41.46
MLR-052-PS003-250	Piston Cup - Leather		2-1/2				50.41
MLR-052-PS003-325	Piston Cup - Leather		3-1/4				79.16
MLR-052-PS003-400	Piston Cup - Leather		4				97.49
MLR-052-PS003-500	Piston Cup - Leather		5				135.60
MLR-052-PS003-600	Piston Cup - Leather		6				183.80

Sales Part Number	Description	Rod Size	Bore Size	ID	Radial Wall	Width	List Price
MLR-052-PS006-1000	Piston Cup - PTFE		10				\$255.94
MLR-052-PS006-1200	Piston Cup - PTFE		12				341.35
MLR-052-PS006-150	Piston Cup - PTFE		1-1/2				54.41
MLR-052-PS006-200	Piston Cup - PTFE		2				72.53
MLR-052-PS006-250	Piston Cup - PTFE		2-1/2				76.44
MLR-052-PS006-325	Piston Cup - PTFE		3-1/4				68.88
MLR-052-PS006-400	Piston Cup - PTFE		4				85.07
MLR-052-PS006-500	Piston Cup - PTFE		5				127.37
MLR-052-PS006-600	Piston Cup - PTFE		6				153.95
MLR-052-PS006-700	Piston Cup - PTFE		7				352.46
MLR-052-PS006-800	Piston Cup - PTFE		8				198.38
MLR-052-PS016-1200	Piston U-seal - Nitrile		12				83.06
MLR-052-PS016-800	Piston U-seal - Nitrile		8				35.04
MLR-052-PS017-1000	Piston U-seal - PTFE		10				193.36
MLR-052-PS017-1200	Piston U-seal - PTFE		12				259.30
MLR-052-PS017-1400	Piston U-seal - PTFE		14				266.64
MLR-052-PS017-150	Piston U-seal - PTFE		1-1/2				24.53
MLR-052-PS017-1600	Piston U-seal - PTFE		16				282.19
MLR-052-PS017-200	Piston U-seal - PTFE		2				24.69
MLR-052-PS017-250	Piston U-seal - PTFE		2-1/2				29.13
MLR-052-PS017-325	Piston U-seal - PTFE		3-1/4				38.05
MLR-052-PS017-400	Piston U-seal - PTFE		4				50.46
MLR-052-PS017-500	Piston U-seal - PTFE		5				75.67
MLR-052-PS017-600	Piston U-seal - PTFE		6				86.51
MLR-052-PS017-700	Piston U-seal - PTFE		7				105.10
MLR-052-PS017-800	Piston U-seal - PTFE		8				122.43
MLR-052-PS025-1000	Piston U-seal - Nitrile		10				118.82
MLR-052-PS025-1400	Piston U-seal - Nitrile		14				230.72
MLR-052-PS025-150	Piston U-seal - Nitrile		1-1/2				28.48
MLR-052-PS025-1600	Piston U-seal - Nitrile		16				469.87
MLR-052-PS025-200	Piston U-seal - Nitrile		2				29.55
MLR-052-PS025-250	Piston U-seal - Nitrile		2-1/2				31.31
MLR-052-PS025-325	Piston U-seal - Nitrile		3-1/4				33.98
MLR-052-PS025-400	Piston U-seal - Nitrile		4				33.71
MLR-052-PS025-500	Piston U-seal - Nitrile		5				40.14
MLR-052-PS025-600	Piston U-seal - Nitrile		6				51.42
MLR-052-PS025-700	Piston U-seal - Nitrile		7				32.11
MLR-052-WR005-1000-38	Wear Ring - PTFE		10				121.85
MLR-052-WR005-1200-38	Wear Ring - PTFE		12				153.45
MLR-052-WR005-150-25	Wear Ring - PTFE		1-1/2				43.13
MLR-052-WR005-1600-50	Wear Ring - PTFE		16				238.98
MLR-052-WR005-1800-50	Wear Ring - PTFE		18				247.22
MLR-052-WR005-2000-50	Wear Ring - PTFE		20				286.78
MLR-052-WR005-200-25	Wear Ring - PTFE		2				45.40
MLR-052-WR005-250-25	Wear Ring - PTFE		2-1/2				47.92
MLR-052-WR005-325-25	Wear Ring - PTFE		3-1/4				64.74
MLR-052-WR005-400-25	Wear Ring - PTFE		4				80.76
MLR-052-WR005-500-25	Wear Ring - PTFE		5				101.40
MLR-052-WR005-600-25	Wear Ring - PTFE		6				121.23

MILLER

MILLER

Sales Part Number	Description	Rod Size	Bore Size	ID	Radial Wall	Width	List Price
MLR-052-WR005-700-38	Wear Ring - PTFE		7				\$481.22
MLR-052-WR005-800-38	Wear Ring - PTFE		8				115.07
MLR-052-WR008-1000-125	Wear Ring - Bronze		10				469.70
MLR-052-WR008-1200-125	Wear Ring - Bronze		12				514.21
MLR-052-WR008-700-75	Wear Ring - Bronze		7				300.69
MLR-052-WR008-800-125	Wear Ring - Bronze		8				402.58
MLR-052-WR009-150-25	Wear Ring - Acetal		1-1/2				37.28
MLR-052-WR009-200-25	Wear Ring - Acetal		2				42.95
MLR-052-WR009-200-31	Wear Ring - Acetal		2				43.62
MLR-052-WR009-250-25	Wear Ring - Acetal		2-1/2				52.85
MLR-052-WR009-250-38	Wear Ring - Acetal		2-1/2				56.09
MLR-052-WR009-325-25	Wear Ring - Acetal		3-1/4				72.30
MLR-052-WR009-325-50	Wear Ring - Acetal		3-1/4				80.25
MLR-052-WR009-400-25	Wear Ring - Acetal		4				83.92
MLR-052-WR009-400-63	Wear Ring - Acetal		4				113.44
MLR-052-WR009-500-75	Wear Ring - Acetal		5				225.55
MLR-052-WR009-600-75	Wear Ring - Acetal		6				292.14
MLR-090-ES006-1000	Tube End Seal		10				64.50
MLR-090-ES006-1200	Tube End Seal		12				75.26
MLR-090-ES006-1400	Tube End Seal		14				86.01
MLR-090-ES006-150	Tube End Seal		1-1/2				12.53
MLR-090-ES006-200	Tube End Seal		2				21.86
MLR-090-ES006-250	Tube End Seal		2-1/2				22.97
MLR-090-ES006-325	Tube End Seal		3-1/4				26.59
MLR-090-ES006-400	Tube End Seal		4				32.93
MLR-090-ES006-500	Tube End Seal		5				35.29
MLR-090-ES006-600	Tube End Seal		6				43.59
MLR-090-ES006-700	Tube End Seal		7				42.99
MLR-090-ES006-800	Tube End Seal		8				53.74
MLR-090-ES009-1000	Tube End Seal		10				104.42
MLR-090-ES009-1200	Tube End Seal		12				116.22
MLR-090-ES009-1400	Tube End Seal		14				115.35
MLR-090-ES009-150	Tube End Seal		1-1/2				13.07
MLR-090-ES009-200	Tube End Seal		2				23.83
MLR-090-ES009-250	Tube End Seal		2-1/2				23.92
MLR-090-ES009-325	Tube End Seal		3-1/4				24.13
MLR-090-ES009-400	Tube End Seal		4				35.71
MLR-090-ES009-500	Tube End Seal		5				44.97
MLR-090-ES009-600	Tube End Seal		6				56.02
MLR-090-ES009-700	Tube End Seal		7				70.33
MLR-090-ES009-800	Tube End Seal		8				87.54
MLR-090-KB001-1000	Piston Kit		10				361.25
MLR-090-KB001-1200	Piston Kit		12				413.93
MLR-090-KB001-150	Piston Kit		1-1/2				126.82
MLR-090-KB001-200	Piston Kit		2				162.52
MLR-090-KB001-250	Piston Kit		2-1/2				176.28
MLR-090-KB001-325	Piston Kit		3-1/4				199.80
MLR-090-KB001-400	Piston Kit		4				231.11
MLR-090-KB001-500	Piston Kit		5				245.58
MLR-090-KB001-600	Piston Kit		6				295.78

MILLER

Sales Part Number	Description	Rod Size	Bore Size	ID	Radial Wall	Width	List Price
MLR-090-KB001-700	Piston Kit		7				\$313.18
MLR-090-KB001-800	Piston Kit		8				322.00
MLR-091-KB001-1000	Piston Kit		10				326.07
MLR-091-KB001-1200	Piston Kit		12				743.83
MLR-091-KB001-150	Piston Kit		1-1/2				146.00
MLR-091-KB001-200	Piston Kit		2				146.82
MLR-091-KB001-250	Piston Kit		2-1/2				170.98
MLR-091-KB001-325	Piston Kit		3-1/4				224.27
MLR-091-KB001-400	Piston Kit		4				246.75
MLR-091-KB001-500	Piston Kit		5				347.22
MLR-091-KB001-600	Piston Kit		6				371.00
MLR-091-KB001-700	Piston Kit		7				382.30
MLR-091-KB001-800	Piston Kit		8				411.80
MLR-150-KB001-325	Piston Kit		3-1/4				363.42
MLR-150-KB001-500	Piston Kit		5				611.28
MLR-170-ES006-1000	Tube End Seal		10				64.50
MLR-170-ES006-1200	Tube End Seal		12				75.26
MLR-170-ES006-1400	Tube End Seal		14				86.01
MLR-170-ES006-150	Tube End Seal		1-1/2				12.32
MLR-170-ES006-1800	Tube End Seal		18				107.52
MLR-170-ES006-200	Tube End Seal		2				22.45
MLR-170-ES006-250	Tube End Seal		2-1/2				22.73
MLR-170-ES006-325	Tube End Seal		3-1/4				23.45
MLR-170-ES006-400	Tube End Seal		4				33.43
MLR-170-ES006-500	Tube End Seal		5				35.19
MLR-170-ES006-600	Tube End Seal		6				41.65
MLR-170-ES006-700	Tube End Seal		7				42.99
MLR-170-ES006-800	Tube End Seal		8				53.74
MLR-170-ES010-1000	Tube End Seal		10				105.22
MLR-170-ES010-1200	Tube End Seal		12				117.25
MLR-170-ES010-150	Tube End Seal		1-1/2				20.08
MLR-170-ES010-200	Tube End Seal		2				28.42
MLR-170-ES010-250	Tube End Seal		2-1/2				36.88
MLR-170-ES010-325	Tube End Seal		3-1/4				38.43
MLR-170-ES010-400	Tube End Seal		4				45.98
MLR-170-ES010-500	Tube End Seal		5				55.10
MLR-170-ES010-600	Tube End Seal		6				63.77
MLR-170-ES010-700	Tube End Seal		7				72.38
MLR-170-ES010-800	Tube End Seal		8				90.64
MLR-171-KB001-1000	Piston Kit		10				1219.07
MLR-171-KB001-1200	Piston Kit		12				1379.88
MLR-171-KB001-150	Piston Kit		1-1/2				200.07
MLR-171-KB001-200	Piston Kit		2				231.76
MLR-171-KB001-250	Piston Kit		2-1/2				278.60
MLR-171-KB001-325	Piston Kit		3-1/4				331.27
MLR-171-KB001-400	Piston Kit		4				457.39
MLR-171-KB001-500	Piston Kit		5				531.33
MLR-171-KB001-600	Piston Kit		6				591.30
MLR-171-KB001-700	Piston Kit		7				833.33
MLR-171-KB001-800	Piston Kit		8				1040.38
MLR-181-KB001-150	Piston Kit		1-1/2				88.39

MILLER

MILLER

Sales Part Number	Description	Rod Size	Bore Size	ID	Radial Wall	Width	List Price
MLR-181-KB001-200	Piston Kit		2				\$92.15
MLR-181-KB001-250	Piston Kit		2-1/2				96.30
MLR-181-KB001-325	Piston Kit		3-1/4				106.67
MLR-181-KB001-400	Piston Kit		4				114.75
MLR-181-KB001-500	Piston Kit		5				135.86
MLR-181-KB001-600	Piston Kit		6				157.25
MLR-181-KB001-700	Piston Kit		7				159.26
MLR-181-KB001-800	Piston Kit		8				227.14
MLR-H-KBH01-150	Piston Kit		1-1/2				47.60
MLR-H-KBH01-200	Piston Kit		2				49.22
MLR-H-KBH01-250	Piston Kit		2-1/2				63.50
MLR-H-KBH01-325	Piston Kit		3-1/4				91.24
MLR-H-KBH01-400	Piston Kit		4				107.86
MLR-H-KBH01-500	Piston Kit		5				139.90
MLR-H-KBH01-600	Piston Kit		6				167.99
MLR-H-KBH01-700	Piston Kit		7				245.52
MLR-H-KBK02-150	Piston Kit		1-1/2				106.73
MLR-H-KBK02-200	Piston Kit		2				106.30
MLR-H-KBK02-250	Piston Kit		2-1/2				113.31
MLR-H-KBK02-325	Piston Kit		3-1/4				128.47
MLR-H-KBK02-400	Piston Kit		4				134.26
MLR-H-KBK02-500	Piston Kit		5				176.88
MLR-H-KBK02-600	Piston Kit		6				182.64
MLR-H-KBK02-700	Piston Kit		7				305.04
MLR-H-KBK05-150	Piston Kit		1-1/2				100.30
MLR-H-KBK05-200	Piston Kit		2				120.09
MLR-H-KBK05-250	Piston Kit		2-1/2				130.68
MLR-H-KBK05-325	Piston Kit		3-1/4				148.51
MLR-H-KBK05-400	Piston Kit		4				151.75
MLR-H-KBK05-500	Piston Kit		5				185.37
MLR-H-KBK05-600	Piston Kit		6				240.76
MLR-H-KBK05-700	Piston Kit		7				270.04
MLR-H-RK110-100	Rod Kit	1					28.75
MLR-H-RK110-138	Rod Kit	1-3/8					32.56
MLR-H-RK110-175	Rod Kit	1-3/4					34.96
MLR-H-RK110-200	Rod Kit	2					37.28
MLR-H-RK110-250	Rod Kit	2-1/2					45.84
MLR-H-RK110-300	Rod Kit	3					52.84
MLR-H-RK110-350	Rod Kit	3-1/2					73.15
MLR-H-RK110-400	Rod Kit	4					86.99
MLR-H-RK110-63	Rod Kit	5/8					22.98
MLR-H-RK510-100	Rod Kit	1					37.49
MLR-H-RK510-138	Rod Kit	1-3/8					55.27
MLR-H-RK510-175	Rod Kit	1-3/4					59.44
MLR-H-RK510-200	Rod Kit	2					80.98
MLR-H-RK510-250	Rod Kit	2-1/2					102.53
MLR-H-RK510-300	Rod Kit	3					121.67
MLR-H-RK510-350	Rod Kit	3-1/2					129.84
MLR-H-RK510-400	Rod Kit	4					149.38
MLR-H-RK510-63	Rod Kit	5/8					28.78
MLR-HV2-ES100-150	Piston Kit		1-1/2				10.91

MILLER

Sales Part Number	Description	Rod Size	Bore Size	ID	Radial Wall	Width	List Price
MLR-HV2-ES100-200	Piston Kit		2				\$11.47
MLR-HV2-ES100-250	Piston Kit		2-1/2				11.94
MLR-HV2-ES100-325	Piston Kit		3-1/4				12.64
MLR-HV2-ES100-400	Piston Kit		4				13.18
MLR-HV2-ES100-500	Piston Kit		5				15.19
MLR-HV2-ES100-600	Piston Kit		6				15.19
MLR-HV2-ES200-150	Piston Kit		1-1/2				14.93
MLR-HV2-ES200-200	Piston Kit		2				25.53
MLR-HV2-ES200-250	Piston Kit		2-1/2				31.86
MLR-HV2-ES200-325	Piston Kit		3-1/4				38.74
MLR-HV2-ES200-400	Piston Kit		4				48.46
MLR-HV2-ES200-500	Piston Kit		5				69.96
MLR-HV2-ES200-600	Piston Kit		6				73.17
MLR-HV2-KB100-150	Piston Kit		1-1/2				17.55
MLR-HV2-KB100-200	Piston Kit		2				20.67
MLR-HV2-KB100-250	Piston Kit		2-1/2				23.98
MLR-HV2-KB100-325	Piston Kit		3-1/4				29.71
MLR-HV2-KB100-400	Piston Kit		4				39.06
MLR-HV2-KB100-500	Piston Kit		5				45.56
MLR-HV2-KB100-600	Piston Kit		6				45.56
MLR-HV2-KB300-150	Piston Kit		1-1/2				72.80
MLR-HV2-KB300-200	Piston Kit		2				77.68
MLR-HV2-KB300-250	Piston Kit		2-1/2				78.55
MLR-HV2-KB300-325	Piston Kit		3-1/4				84.94
MLR-HV2-KB300-400	Piston Kit		4				87.44
MLR-HV2-KB300-500	Piston Kit		5				115.17
MLR-HV2-KB300-600	Piston Kit		6				173.14
MLR-HV2-KB400-150	Piston Kit		1-1/2				84.33
MLR-HV2-KB400-200	Piston Kit		2				87.41
MLR-HV2-KB400-250	Piston Kit		2-1/2				88.64
MLR-HV2-KB400-325	Piston Kit		3-1/4				105.60
MLR-HV2-KB400-400	Piston Kit		4				107.60
MLR-HV2-KB400-500	Piston Kit		5				152.57
MLR-HV2-KB400-600	Piston Kit		6				184.64
MLR-HV2-KB500-150	Piston Kit		1-1/2				39.73
MLR-HV2-KB500-200	Piston Kit		2				51.57
MLR-HV2-KB500-250	Piston Kit		2-1/2				49.72
MLR-HV2-KB500-325	Piston Kit		3-1/4				65.64
MLR-HV2-KB500-400	Piston Kit		4				57.18
MLR-HV2-KB500-500	Piston Kit		5				64.14
MLR-HV2-KB500-600	Piston Kit		6				117.69
MLR-HV2-KB600-150	Piston Kit		1-1/2				68.88
MLR-HV2-KB600-200	Piston Kit		2				77.99
MLR-HV2-KB600-250	Piston Kit		2-1/2				83.84
MLR-HV2-KB600-325	Piston Kit		3-1/4				184.64
MLR-HV2-KB600-400	Piston Kit		4				204.32
MLR-HV2-KB600-500	Piston Kit		5				226.10
MLR-HV2-KB600-600	Piston Kit		6				352.55
MLR-HV2-KR300-100	Rod Kit	1					29.61
MLR-HV2-KR300-138	Rod Kit	1-3/8					33.54
MLR-HV2-KR300-175	Rod Kit	1-3/4					36.01

MILLER

MILLER

Sales Part Number	Description	Rod Size	Bore Size	ID	Radial Wall	Width	List Price
MLR-HV2-KR300-200	Rod Kit	2					\$38.40
MLR-HV2-KR300-250	Rod Kit	2-1/2					47.22
MLR-HV2-KR300-300	Rod Kit	3					54.42
MLR-HV2-KR300-350	Rod Kit	3-1/2					83.05
MLR-HV2-KR300-400	Rod Kit	4					94.04
MLR-HV2-KR300-63	Rod Kit	5/8					43.73
MLR-HV2-KR310-100	Rod Kit	1					29.61
MLR-HV2-KR310-138	Rod Kit	1-3/8					33.54
MLR-HV2-KR310-175	Rod Kit	1-3/4					36.01
MLR-HV2-KR310-200	Rod Kit	2					38.40
MLR-HV2-KR310-250	Rod Kit	2-1/2					47.22
MLR-HV2-KR310-300	Rod Kit	3					54.42
MLR-HV2-KR310-350	Rod Kit	3-1/2					75.35
MLR-HV2-KR310-400	Rod Kit	4					89.60
MLR-HV2-KR310-63	Rod Kit	5/8					23.67
MLR-HV2-KR400-100	Rod Kit	1					31.49
MLR-HV2-KR400-138	Rod Kit	1-3/8					56.12
MLR-HV2-KR400-175	Rod Kit	1-3/4					60.85
MLR-HV2-KR400-200	Rod Kit	2					70.81
MLR-HV2-KR400-250	Rod Kit	2-1/2					81.61
MLR-HV2-KR400-300	Rod Kit	3					88.83
MLR-HV2-KR400-350	Rod Kit	3-1/2					96.26
MLR-HV2-KR400-400	Rod Kit	4					104.61
MLR-HV2-KR400-63	Rod Kit	5/8					32.37
MLR-HV2-KR410-100	Rod Kit	1					38.61
MLR-HV2-KR410-138	Rod Kit	1-3/8					56.92
MLR-HV2-KR410-175	Rod Kit	1-3/4					61.22
MLR-HV2-KR410-200	Rod Kit	2					146.62
MLR-HV2-KR410-250	Rod Kit	2-1/2					105.61
MLR-HV2-KR410-300	Rod Kit	3					125.32
MLR-HV2-KR410-350	Rod Kit	3-1/2					133.74
MLR-HV2-KR410-400	Rod Kit	4					153.86
MLR-HV2-KR410-500	Rod Kit	5					219.75
MLR-HV2-KR410-550	Rod Kit	5-1/2					264.14
MLR-HV2-KR410-63	Rod Kit	5/8					29.64
MLR-HV2-KR600-63	Rod Kit	5/8					31.21
MLR-HV2-KR600-100	Rod Kit	1					32.62
MLR-HV2-KR600-138	Rod Kit	1-3/8					37.67
MLR-HV2-KR600-175	Rod Kit	1-3/4					43.12
MLR-HV2-KR600-200	Rod Kit	2					47.47
MLR-HV2-KR600-250	Rod Kit	2-1/2					52.26
MLR-HV2-KR600-300	Rod Kit	3					58.08
MLR-HV2-KR600-350	Rod Kit	3-1/2					65.15
MLR-HV2-KR600-400	Rod Kit	4					73.20
MLR-RG065-063	Iron Gland	5/8					59.07
MLR-RG065-100	Iron Gland	1					87.95
MLR-RG065-138	Iron Gland	1-3/8					86.01
MLR-RG065-175	Iron Gland	1-3/4					221.36
MLR-RG065-200	Iron Gland	2					239.40
MLR-RG065-250	Iron Gland	2-1/2					278.90
MLR-RG065-300	Iron Gland	3					319.95

MILLER

Sales Part Number	Description	Rod Size	Bore Size	ID	Radial Wall	Width	List Price
MLR-RG065-350	Iron Gland	3-1/2					\$357.13
MLR-008-SH001-30	0.03cs x 0.07w PTFE strip (30' Spool)						199.12
MLR-SH1-STRIP	0.03cs x 0.07w PTFE strip (sold by the foot)						11.52
MLR-JV-ES100-100	Head Seal Kit		1				13.27
MLR-JV-ES100-150	Head Seal Kit		1-1/2				10.38
MLR-JV-ES100-200	Head Seal Kit		2				10.92
MLR-JV-ES100-250	Head Seal Kit		2-1/2				11.37
MLR-JV-ES100-325	Head Seal Kit		3-1/4				12.04
MLR-JV-ES100-400	Head Seal Kit		4				12.56
MLR-JV-ES100-500	Head Seal Kit		5				14.47
MLR-JV-ES100-600	Head Seal Kit		6				14.47
MLR-JV-ES100-800	Head Seal Kit		8				15.05
MLR-JV-ES200-100	Head Seal Kit		1				13.93
MLR-JV-ES200-150	Head Seal Kit		1-1/2				14.23
MLR-JV-ES200-200	Head Seal Kit		2				24.32
MLR-JV-ES200-250	Head Seal Kit		2-1/2				30.35
MLR-JV-ES200-325	Head Seal Kit		3-1/4				36.89
MLR-JV-ES200-400	Head Seal Kit		4				46.16
MLR-JV-ES200-500	Head Seal Kit		5				66.63
MLR-JV-ES200-600	Head Seal Kit		6				69.68
MLR-JV-ES200-800	Head Seal Kit		8				71.21
MLR-JV-KB100-100	N-N-5		1				8.52
MLR-JV-KB100-150	N-N-5		1-1/2				10.07
MLR-JV-KB100-200	N-N-5		2				11.84
MLR-JV-KB100-250	N-N-5		2-1/2				13.68
MLR-JV-KB100-325	N-N-5		3-1/4				17.01
MLR-JV-KB100-400	N-N-5		4				21.26
MLR-JV-KB100-500	N-N-5		5				26.05
MLR-JV-KB100-600	N-N-5		6				33.88
MLR-JV-KB100-800	N-N-5		8				98.21
MLR-JV-KB200-100	N-N-5		1				32.38
MLR-JV-KB200-150	N-N-5		1-1/2				45.68
MLR-JV-KB200-200	N-N-5		2				52.13
MLR-JV-KB200-250	N-N-5		2-1/2				73.14
MLR-JV-KB200-325	N-N-5		3-1/4				85.34
MLR-JV-KB200-400	N-N-5		4				91.96
MLR-JV-KB200-500	N-N-5		6				116.70
MLR-JV-KB200-600	N-N-5		6				155.10
MLR-JV-KB200-800	N-N-5		8				336.18
MLR-JV-KB300-100	N-N-12	1					74.89
MLR-JV-KB300-150	N-N-12	1-1/2					41.88
MLR-JV-KB300-200	N-N-12	2					44.69
MLR-JV-KB300-250	N-N-12	2-1/2					45.20
MLR-JV-KB300-325	N-N-12	3-1/4					48.87
MLR-JV-KB300-400	N-N-12	4					50.33
MLR-JV-KB300-500	N-N-12	5					66.28
MLR-JV-KB300-600	N-N-12	6					99.65
MLR-JV-KB300-800	N-N-12	8					170.13
MLR-JV-KB400-100	N-N-12	1					76.12
MLR-JV-KB400-150	N-N-12	1-1/2					48.53

MILLER

MILLER

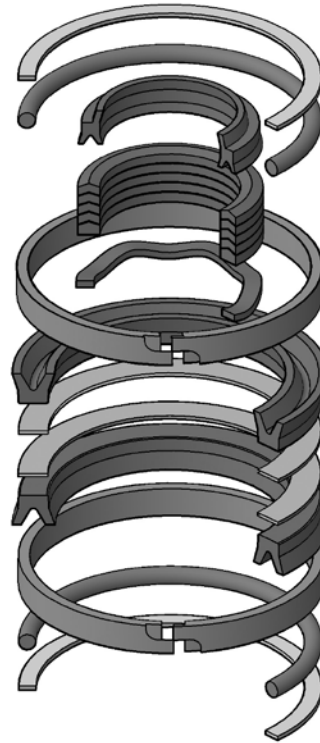
Sales Part Number	Description	Rod Size	Bore Size	ID	Radial Wall	Width	List Price
MLR-JV-KB400-200	N-N-12	2					\$50.33
MLR-JV-KB400-250	N-N-12	2-1/2					51.00
MLR-JV-KB400-325	N-N-12	3-1/4					60.78
MLR-JV-KB400-400	N-N-12	4					61.92
MLR-JV-KB400-500	N-N-12	5					87.79
MLR-JV-KB400-600	N-N-12	6					106.26
MLR-JV-KB400-800	N-N-12	8					181.55
MLR-JV-KR300-100	I-U-1	1					29.18
MLR-JV-KR300-138	I-U-1	1-3/8					29.92
MLR-JV-KR300-175	I-U-1	1-3/4					35.89
MLR-JV-KR300-200	I-U-1	2					42.02
MLR-JV-KR300-250	I-U-1	2-1/2					45.21
MLR-JV-KR300-300	I-U-1	3					59.90
MLR-JV-KR300-350	I-U-1	3-1/2					67.25
MLR-JV-KR300-400	I-U-1	4					79.61
MLR-JV-KR300-450	I-U-1	4-1/2					85.67
MLR-JV-KR300-50	I-U-1	1/2					27.41
MLR-JV-KR300-500	I-U-1	5					95.23
MLR-JV-KR300-550	I-U-1	5-1/2					100.89
MLR-JV-KR300-63	I-U-1	5/8					27.86
MLR-JV-KR400-100	I-U-1	1					40.07
MLR-JV-KR400-138	I-U-1	1-3/8					41.66
MLR-JV-KR400-175	I-U-1	1-3/4					44.14
MLR-JV-KR400-200	I-U-1	2					47.63
MLR-JV-KR400-250	I-U-1	2-1/2					56.56
MLR-JV-KR400-300	I-U-1	3					66.62
MLR-JV-KR400-350	I-U-1	3-1/2					86.76
MLR-JV-KR400-400	I-U-1	4					126.66
MLR-JV-KR400-50	I-U-1	1/2					35.19
MLR-JV-KR400-63	I-U-1	5/8					39.96

MILWAUKEE

Kits

H Cylinders Nitrile

Bore	Rod	(NBR) Kit #	List Price
1-1/2"	5/8"	MIL-00151-7-40	\$68.32
1-1/2"	1"	MIL-00152-7-40	72.59
2"	1"	MIL-01510-7-40	71.69
2"	1-3/8"	MIL-01511-7-40	75.90
2-1/2"	1"	MIL-01520-7-40	77.21
2-1/2"	1-3/8"	MIL-01521-7-40	81.13
2-1/2"	1-3/4"	MIL-01522-7-40	84.53
3-1/4"	1-3/8"	MIL-01530-7-40	98.40
3-1/4"	1-3/4"	MIL-01531-7-40	106.74
3-1/4"	2"	MIL-01532-7-40	111.05
4"	1-3/4"	MIL-01540-7-40	113.29
4"	2"	MIL-01541-7-40	116.39
4"	2-1/2"	MIL-01542-7-40	141.88
5"	2"	MIL-01550-7-40	164.47
5"	2-1/2"	MIL-01551-7-40	120.37
5"	3"	MIL-01552-7-40	157.15
5"	3-1/2"	MIL-01553-7-40	167.35
6"	2-1/2"	MIL-01560-7-40	247.71
6"	3"	MIL-01561-7-40	249.41
6"	3-1/2"	MIL-01562-7-40	258.86
6"	4"	MIL-01563-7-40	278.14



ORTMAN

Various Kits

Kit #	Code	Rod x Bore	List Price
ORT-RS003540010	I-U-1	5/8 Rod Kit	\$26.19
ORT-RS003540020	I-U-1	1 Rod Kit	26.17
ORT-RS003540040	I-U-1	1-3/4 Rod Kit	49.65
ORT-RS003540060	I-U-1	2-1/2 Rod Kit	53.81
ORT-RS003540090	I-U-1	4" Rod Kit	85.35
ORT-TS543511000	N-N-5	2-1/2 Piston Kit	24.93
ORT-TS563511000	N-N-5	3-1/4 Piston Kit	77.18
ORT-TS583511000	N-N-5	4 Piston Kit	58.56
ORT-TS603511000	N-N-5	6 Piston Kit	153.61
ORT-TS777512000	N-N-5	1-1/2 Piston Kit	17.47

Kit Composition Varies

Consult your
Hercules® Sealing Products representative.

Kit Type		Page
2A & 2AN Series	2A Rod Gland Kits	104-105
	2A Rod Seal Kits	104-105
	2AN Rod Gland Kits	106
	2A & 2AN Rod Glands	106
	2AN Rod Seal Kits	106
	2AN Piston Seal Kits	106
	2A Piston Seal Kits	107
	2A End Seal Kits	107
Gen II 2H & 3H (7 & 8 Bore) Series	Rod Gland Kits	108
	Rod Seal Kits	108
Gen II 2H & 3H Series	Piston Seal Kits	109
Gen II 2HD,2HB,3HD,3HB Series	Rod Seal Kits	110
Gen II 2HD & 2HB Series	Piston Seal Kits	111
H, 2H, L, 2L, 3L, VH Series	Rod Gland Kits	112
	Rod Seal Kits	113-114
	Rod Glands	114
	Loaded U-Seal Piston Seal Kits	115
	Lip Seal Piston Seal Kits	115
	Cast Iron Piston Seal Kits	116
	High Load Piston Seal Kits	117
	End Seal Kits	117
	Parker HD Series	Rod Gland Kits
Rod Glands		118
Rod Seal Kits		118
Cast Iron Piston Seal Kits		119
Lip Seal Piston Seal Kits		119
Loaded U-Seal Piston Seal Kits		120
High Load Piston Seal Kits		120
End Seal Kits		121
Parker HMI		Rod Gland Kits
	Rod Glands	122
	Rod Seal Kits	122
	Piston Seal Kits	123
	End Seal Kits	123

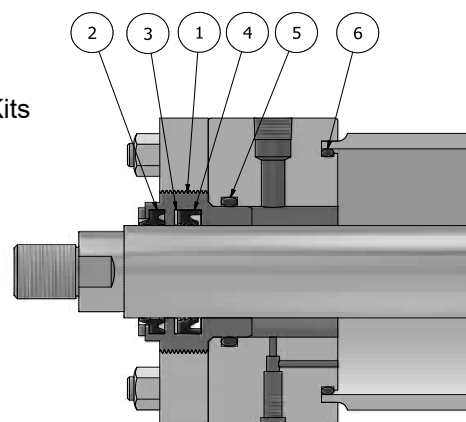
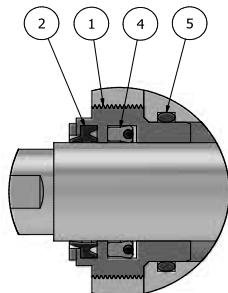
Kit Type		Page
Parker MA	Rod Gland Kits	124
	Rod Glands	124
	Rod & Piston Seal Kits	125
Parker 2MA & 2ML Series	2MA Rod Gland Kits	126
	2MA Rod Seal Kits	126
	2MA Rod Glands	126
	2ML Rod Seal Kits	126
	2MA Piston Seal Kits	127
	2ML Piston Seal Kits	127
	2ML Piston Seal Kits	127
	2MA & 2ML End Seal Kits	127
	2MA End Seal Kits	127
Parker 4MA Series	Rod Gland Kits	128
	Rod Glands	128
	Piston Seal Kits	129
Parker VP Series	Cast Iron Piston Seal Kits	130
Parker 2000 Thru 5000 Series	Piston Accumulators	130
Repair Kits	By Part Number	131-142

2A & 2AN Series

Components

1	Rod Gland
2	Rod Wiper
3	Rod Seal Back-Up
4	Rod Seal
5	Head Seal
6	End Seal
7	Piston Seal
8	Piston Seal Back-Up
9	Felt Wick
10	Felt Washer

*3-1/2 to 5-1/2 Rod Gland & Seal Kits



2A Rod Gland Kits (1,2,3,4,5) Nitrile

Rod Dia	Sales Part No	List Price
1/2	PKH-RG2AHL0051	\$108.74
5/8	PKH-RG2AHL0061	65.67
1	PKH-RG2AHL0101	80.52
1-3/8	PKH-RG2AHL0131	98.18
1-3/4	PKH-RG2AHL0171	113.70
2	PKH-RG2AHL0201	141.85
2-1/2	PKH-RG2AHL0251	193.52
3	PKH-RG2AHL0301	248.38
*3-1/2" - 5-1/2" (1,2,4,5)		
3-1/2	PKH-RG2AHL0351	544.50
4	PKH-RG2AHL0401	662.20
4-1/2	PKH-RG2AHL0451	823.91
5	PKH-RG2AHL0501	916.67
5-1/2	PKH-RG2AHL0551	945.40

2A Rod Gland Kits (1,2,3,4,5) Fluorocarbon

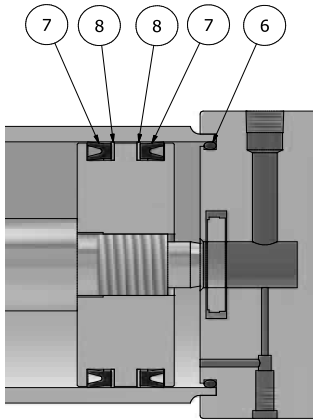
Rod Dia	Sales Part No	List Price
1/2	PKH-RG2AHL0055	\$139.78
5/8	PKH-RG2AHL0065	107.14
1	PKH-RG2AHL0105	121.26
1-3/8	PKH-RG2AHL0135	152.34
1-3/4	PKH-RG2AHL0175	166.36
2	PKH-RG2AHL0205	198.01
2-1/2	PKH-RG2AHL0255	257.16
3	PKH-RG2AHL0305	292.33
*3-1/2" - 5-1/2" (1,2,4,5)		
3-1/2	PKH-RG2AHL0355	590.06
4	PKH-RG2AHL0405	695.27
4-1/2	PKH-RG2AHL0455	830.71
5	PKH-RG2AHL0505	1037.65
5-1/2	PKH-RG2AHL0555	1132.47

2A Rod Seal Kits (2,3,4,5) Nitrile

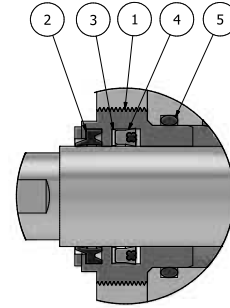
Rod Dia	Sales Part No	List Price
1/2	PKH-RK2AHL0051	\$12.60
5/8	PKH-RK2AHL0061	21.86
1	PKH-RK2AHL0101	15.80
1-3/8	PKH-RK2AHL0131	17.34
1-3/4	PKH-RK2AHL0171	20.07
2	PKH-RK2AHL0201	22.16
2-1/2	PKH-RK2AHL0251	24.88
3	PKH-RK2AHL0301	32.25
*3-1/2" - 5-1/2" (2,4,5)		
3-1/2	PKH-RK2AHL0351	150.92
4	PKH-RK2AHL0401	187.46
4-1/2	PKH-RK2AHL0451	219.80
5	PKH-RK2AHL0501	273.68
5-1/2	PKH-RK2AHL0551	305.59

2A Rod Seal Kits (2,3,4,5) Fluorocarbon

Rod Dia	Sales Part No	List Price
1/2	PKH-RK2AHL0055	\$52.36
5/8	PKH-RK2AHL0065	57.56
1	PKH-RK2AHL0105	64.67
1-3/8	PKH-RK2AHL0135	83.73
1-3/4	PKH-RK2AHL0175	87.22
2	PKH-RK2AHL0205	90.91
2-1/2	PKH-RK2AHL0255	99.49
3	PKH-RK2AHL0305	120.05
*3-1/2" - 5-1/2" (2,4,5)		
3-1/2	PKH-RK2AHL0355	249.04
4	PKH-RK2AHL0405	288.56
4-1/2	PKH-RK2AHL0455	361.15
5	PKH-RK2AHL0505	421.98
5-1/2	PKH-RK2AHL0555	605.42



Loaded U-Seal Rod Gland Kits (PS suffix kits)



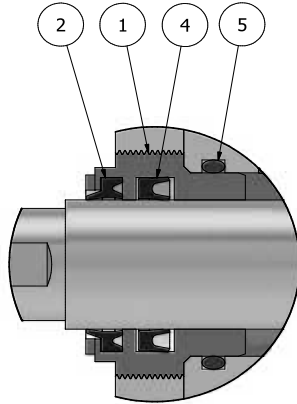
2A Rod Gland Kits (1,2,3,4,5) Nitrile, Loaded U-Seal		
Rod Dia	Sales Part No	List Price
1/2	PKH-RG2AHL0051PS	\$58.23
5/8	PKH-RG2AHL0061PS	63.14
1	PKH-RG2AHL0101PS	78.34
1-3/8	PKH-RG2AHL0131PS	96.33
1-3/4	PKH-RG2AHL0171PS	108.66
2	PKH-RG2AHL0201PS	136.83
2-1/2	PKH-RG2AHL0251PS	209.97
3	PKH-RG2AHL0301PS	248.44
3-1/2	PKH-RG2AHL0351PS	518.05

2A Rod Gland Kits (1,2,3,4,5) Fluorocarbon, Loaded U-Seal		
Rod Dia	Sales Part No	List Price
1/2	PKH-RG2AHL0055PS	\$70.89
5/8	PKH-RG2AHL0065PS	77.85
1	PKH-RG2AHL0105PS	94.20
1-3/8	PKH-RG2AHL0135PS	117.58
1-3/4	PKH-RG2AHL0175PS	136.40
2	PKH-RG2AHL0205PS	159.05
2-1/2	PKH-RG2AHL0255PS	257.52
3	PKH-RG2AHL0305PS	283.58
3-1/2	PKH-RG2AHL0355PS	522.18

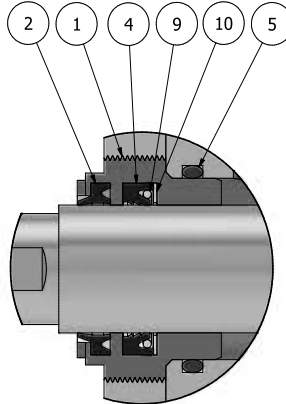
2A Rod Seal Kits (2,3,4,5) Nitrile, Loaded U-Seal		
Bore Dia	Sales Part No	List Price
1/2	PKH-RK2AHL0051PS	\$17.39
5/8	PKH-RK2AHL0061PS	18.33
1	PKH-RK2AHL0101PS	26.11
1-3/8	PKH-RK2AHL0131PS	30.71
1-3/4	PKH-RK2AHL0171PS	26.40
2	PKH-RK2AHL0201PS	32.39
2-1/2	PKH-RK2AHL0251PS	49.48
3	PKH-RK2AHL0301PS	59.71
3-1/2	PKH-RK2AHL0351PS	118.16

2A Rod Seal Kits (2,3,4,5) Fluorocarbon, Loaded U-Seal		
Rod Dia	Sales Part No	List Price
1/2	PKH-RK2AHL0055PS	\$30.07
5/8	PKH-RK2AHL0065PS	33.03
1	PKH-RK2AHL0105PS	41.97
1-3/8	PKH-RK2AHL0135PS	51.97
1-3/4	PKH-RK2AHL0175PS	54.13
2	PKH-RK2AHL0205PS	54.61
2-1/2	PKH-RK2AHL0255PS	97.03
3	PKH-RK2AHL0305PS	94.85
3-1/2	PKH-RK2AHL0355PS	122.29

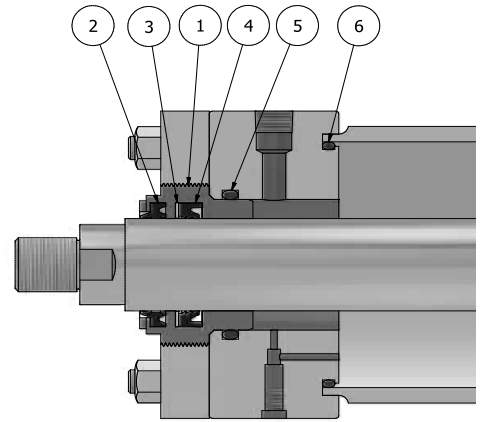
2A & 2AN Series Continued



1/2" to 2-1/2" Rod Kits



3" to 5-1/2" Rod Kits



2AN Rod Gland Kits (1,2,3,4,5) Nitrile

Rod Dia	Sales Part No	List Price
1/2	PKH-RG2AN00051	\$70.71
5/8	PKH-RG2AN00061	73.60
1	PKH-RG2AN00101	82.72
1-3/8	PKH-RG2AN00131	87.99
1-3/4	PKH-RG2AN00171	110.57
2	PKH-RG2AN00201	134.62
2-1/2	PKH-RG2AN00251	220.22
3" - 5-1/2" (1,2,4,5,9,10)		
3	PKH-RG2AN00301	334.67
3-1/2	PKH-RG2AN00351	476.03
4	PKH-RG2AN00401	637.61
5	PKH-RG2AN00501	942.45
5-1/2	PKH-RG2AN00551	1055.91

2AN Rod Seal Kits (2,4,5) Nitrile

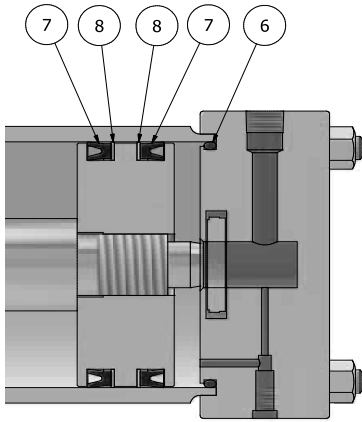
Rod Dia	Sales Part No	List Price
1/2	PKH-RK2AN00051	\$30.78
5/8	PKH-RK2AN00061	32.25
1	PKH-RK2AN00101	37.04
1-3/8	PKH-RK2AN00131	40.89
1-3/4	PKH-RK2AN00171	48.09
2	PKH-RK2AN00201	56.75
2-1/2	PKH-RK2AN00251	82.27
3" - 5-1/2" (2,4,5,9,10)		
3	PKH-RK2AN00301	135.60
3-1/2	PKH-RK2AN00351	214.45
4	PKH-RK2AN00401	259.66
5	PKH-RK2AN00501	311.57
5-1/2	PKH-RK2AN00551	372.18

2A & 2AN Rod Glands (1) Bronze

Rod Dia	Sales Part No	List Price
1/2	PKH-RG-05	\$59.62
5/8	PKH-RG-06	35.92
1	PKH-RG-10	41.72
1-3/8	PKH-RG-13	57.86
1-3/4	PKH-RG-17	70.38
2	PKH-RG-20	86.04
2-1/2	PKH-RG-25	121.38
3	PKH-RG-30	167.79
3-1/2	PKH-RG-35	393.60
4	PKH-RG-40	400.99
4-1/2	PKH-RG-45	576.64
5	PKH-RG-50	668.06
5-1/2	PKH-RG-55	704.58

2AN Piston Seal Kits(6,7) Nitrile

Bore Dia	Sales Part No	List Price
1	PKH-PK1002AN01	\$32.09
1-1/2	PKH-PK1502AN01	35.65
2	PKH-PK2002AN01	39.85
2-1/2	PKH-PK2502AN01	48.64
3-1/4	PKH-PK3202AN01	63.52
4	PKH-PK4002AN01	78.63
5	PKH-PK5002AN01	94.37
6	PKH-PK6002AN01	150.36
7	PKH-PK7002AN01	163.35
8	PKH-PK8002AN01	233.38
10	PKH-PK9002AN01	348.55
12	PKH-PK9202AN01	638.44



Components	
1	Rod Gland
2	Rod Wiper
3	Rod Seal Back-Up
4	Rod Seal
5	Head Seal
6	End Seal
7	Piston Seal
8	Piston Seal Back-Up
9	Felt Wick
10	Felt Washer

2A Piston Seal Kits (6,7,8) Nitrile		
Bore Dia	Sales Part No	List Price
1	PKH-PK1002A001	\$15.62
1-1/2	PKH-PK1502A001	18.35
2	PKH-PK2002A001	21.61
2-1/2	PKH-PK2502A001	25.05
3-1/4	PKH-PK3202A001	31.07
4	PKH-PK4002A001	40.85
5	PKH-PK5002A001	47.64
6	PKH-PK6002A001	61.89
7	PKH-PK7002A001	154.42
8	PKH-PK8002A001	179.79
10	PKH-PK9002A001	266.27
12	PKH-PK9202A001	361.72
14	PKH-PK9402A001	559.50

2A Piston Seal Kits (6,7,8) Fluorocarbon		
Bore Dia	Sales Part No	List Price
1	PKH-PK1002A005	\$59.29
1-1/2	PKH-PK1502A005	83.54
2	PKH-PK2002A005	95.33
2-1/2	PKH-PK2502A005	133.80
3-1/4	PKH-PK3202A005	156.15
4	PKH-PK4002A005	168.31
5	PKH-PK5002A005	213.61
6	PKH-PK6002A005	283.90
7	PKH-PK7002A005	450.00
8	PKH-PK8002A005	615.34
10	PKH-PK9002A005	781.04
12	PKH-PK9202A005	1199.81
14	PKH-PK9402A005	1960.24

2A End Seal Kits (6) Nitrile		
Bore	Sales Part No	List Price
1	PKH-CB102HL001	\$11.12
1-1/2	PKH-CB152HL001	11.39
2	PKH-CB202HL001	11.97
2-1/2	PKH-CB252HL001	12.50
3-1/4	PKH-CB322HL001	13.21
4	PKH-CB402HL001	13.79
5	PKH-CB502HL001	15.88
6	PKH-CB602HL001	18.91
7	PKH-CB702HL001	20.37
8	PKH-CB802HL001	23.14
10	PKH-CB902HL001	28.18

2A End Seal Kits (6) Fluorocarbon		
Bore	Sales Part No	List Price
1	PKH-CB102HL005	\$15.61
1-1/2	PKH-CB152HL005	15.61
2	PKH-CB202HL005	26.68
2-1/2	PKH-CB252HL005	33.32
3-1/4	PKH-CB322HL005	40.52
4	PKH-CB402HL005	50.67
5	PKH-CB502HL005	73.15
6	PKH-CB602HL005	76.50
7	PKH-CB702HL005	109.76
8	PKH-CB802HL005	111.69
10	PKH-CB902HL005	123.65

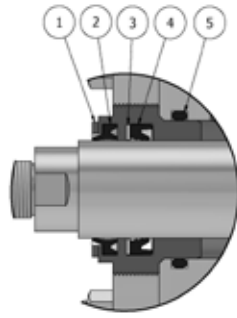
Gen II

2H & 3H* Series

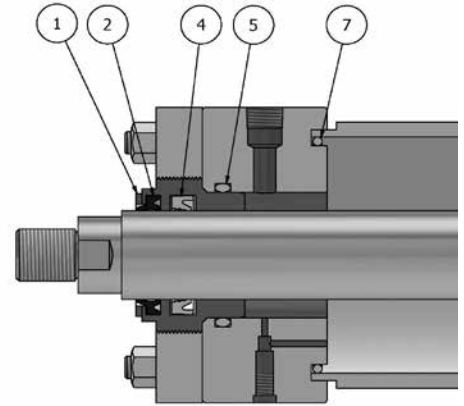
*(Rod Kits for 3H with 7 & 8 Inch Bore)

Components	
1	Rod Gland
2	Rod Wiper
3	Rod Seal Back-Up
4	Rod Seal
5	Head Seal
6	End Seal back-Up
7	End Seal
8	Piston Wear Ring
9	Piston Seal

Parker 2H Gen II



Fluorocarbon



Urethane

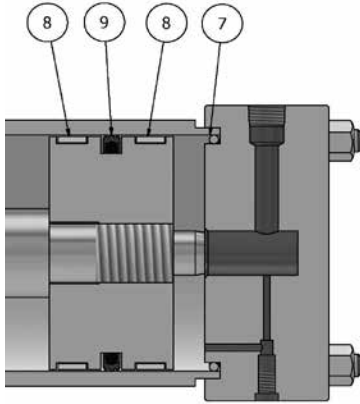
Rod Gland Kits (1,2,4,5) Urethane		
Rod Size	Sales Part No	List Price
5/8	PKH-RG2HLG2061	\$53.72
1	PKH-RG2HLG2101	69.24
1-3/8	PKH-RG2HLG2131	91.65
1-3/4	PKH-RG2HLG2171	106.41
2	PKH-RG2HLG2201	146.99
2-1/2	PKH-RG2HLG2251	200.69
3	PKH-RG2HLG2301	237.76
3-1/2	PKH-RG2HLG2351	465.97
4	PKH-RG2HLG2401	489.91
4-1/2	PKH-RG2HLG2451	1186.19

Rod Gland Kits (1,2,4,5) Fluorocarbon		
Rod Size	Sales Part No	List Price
5/8	PKH-RG2HLG2065	\$78.49
1	PKH-RG2HLG2105	83.60
1-3/8	PKH-RG2HLG2135	120.01
1-3/4	PKH-RG2HLG2175	143.13
2	PKH-RG2HLG2205	183.15
2-1/2	PKH-RG2HLG2255	268.19
3	PKH-RG2HLG2305	322.73
3-1/2	PKH-RG2HLG2355	557.43
4	PKH-RG2HLG2405	555.47

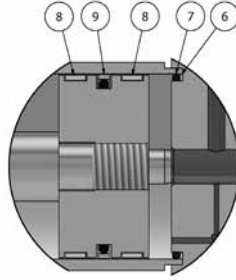
Rod Seal Kits (2,4,5) Urethane		
Rod Size	Sales Part No	List Price
5/8	PKH-RK2HLG2061	\$15.08
1	PKH-RK2HLG2101	20.64
1-3/8	PKH-RK2HLG2131	20.79
1-3/4	PKH-RK2HLG2171	23.18
2	PKH-RK2HLG2201	25.20
2-1/2	PKH-RK2HLG2251	36.44
3	PKH-RK2HLG2301	43.11
3-1/2	PKH-RK2HLG2351	62.46
4	PKH-RK2HLG2401	74.94
4-1/2	PKH-RK2HLG2451	115.50

Rod Seal Kits (2,3,4,5)		
Rod Size	Sales Part No	List Price
5/8	PKH-RK2HLG2065	\$39.86
1	PKH-RK2HLG2105	35.00
1-3/8	PKH-RK2HLG2135	49.14
1-3/4	PKH-RK2HLG2175	59.89
2	PKH-RK2HLG2205	61.35
2-1/2	PKH-RK2HLG2255	103.94
3	PKH-RK2HLG2305	128.08
3-1/2	PKH-RK2HLG2355	153.92
4	PKH-RK2HLG2405	140.50

Gen II 2H & 3H Series



Parker 2H Gen II - Threaded Gland
PTFE Piston Seal



Piston Seal Kits (7,8,9) Urethane		
Bore Size	Sales Part No	List Price
1-1/2	PKH-PK152HH001	\$48.96
2	PKH-PK202HH001	50.62
2-1/2	PKH-PK252HH001	65.31
3-1/4	PKH-PK322HH001	93.85
4	PKH-PK402HH001	110.94
5	PKH-PK502HH001	143.90
6	PKH-PK602HH001	172.79

Piston Seal Kits (6,7,8,9) PTFE/Nitrile		
Bore Size	Sales Part No	List Price
1-1/2	PKH-PK152HF001	\$109.78
2	PKH-PK202HF001	109.34
2-1/2	PKH-PK252HF001	116.54
3-1/4	PKH-PK322HF001	132.14
4	PKH-PK402HF001	138.10
5	PKH-PK502HF001	181.94
6	PKH-PK602HF001	187.86

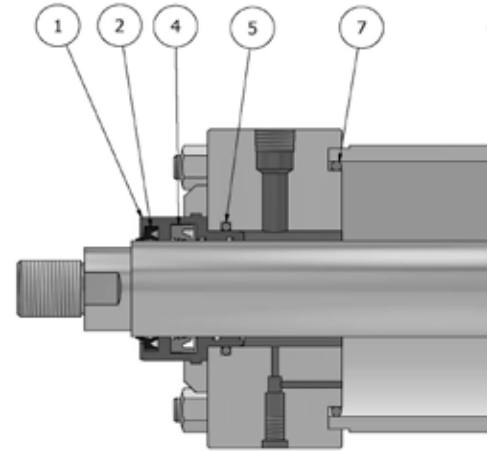
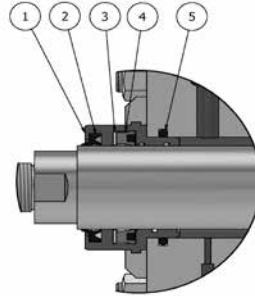
Piston Seal Kits (6,7,8,9) PTFE/Fluorocarbon		
Bore Size	Sales Part No	List Price
1-1/2	PKH-PK152HF005	\$103.16
2	PKH-PK202HF005	123.52
2-1/2	PKH-PK252HF005	134.42
3-1/4	PKH-PK322HF005	152.76
4	PKH-PK402HF005	156.08
5	PKH-PK502HF005	190.66
6	PKH-PK602HF005	247.63

Gen II

2HD, 2HB, 3HD, 3HB Series

Components

1	Rod Gland
2	Rod Wiper
3	Rod Seal Back-Up
4	Rod Seal
5	Head Seal
6	End Seal back-Up
7	End Seal
8	Piston Wear Ring
9	Piston Seal



Rod Seal Kits (2,3,4,5) Fluorocarbon

Rod Size	Sales Part No	List Price
5/8	PKH-RK2HDG2065	\$34.19
1	PKH-RK2HDG2105	47.85
1-3/8	PKH-RK2HDG2135	68.60
1-3/4	PKH-RK2HDG2175	75.76
2	PKH-RK2HDG2205	78.22
2-1/2	PKH-RK2HDG2255	114.45
3	PKH-RK2HDG2305	305.91
3-1/2	PKH-RK2HDG2355	157.22
4	PKH-RK2HDG2405	194.92

Rod Seal Kits (2,4,5) Urethane

Rod Size	Sales Part No	List Price
5/8	PKH-RK2HDG2061	\$22.64
1	PKH-RK2HDG2101	20.29
1-3/8	PKH-RK2HDG2131	27.36
1-3/4	PKH-RK2HDG2171	39.45
2	PKH-RK2HDG2201	28.36
2-1/2	PKH-RK2HDG2251	42.09
3	PKH-RK2HDG2301	52.83
3-1/2	PKH-RK2HDG2351	117.87
4	PKH-RK2HDG2401	74.19

Rod Gland Kits (1,2,3,4,5) Fluorocarbon

Rod Size	Sales Part No	List Price
5/8	PKH-RG2HDG2065	\$128.42
1	PKH-RG2HDG2105	133.41
1-3/8	PKH-RG2HDG2135	161.65
1-3/4	PKH-RG2HDG2175	181.54
2	PKH-RG2HDG2205	272.11
2-1/2	PKH-RG2HDG2255	412.10
3	PKH-RG2HDG2305	548.73

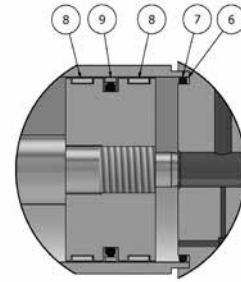
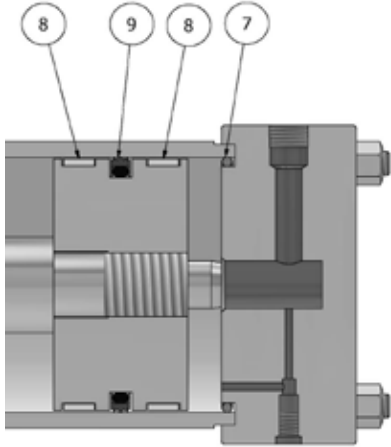
Rod Gland Kits (1,2,4,5) Urethane

Rod Size	Sales Part No	List Price
5/8	PKH-RG2HDG2061	\$112.29
1	PKH-RG2HDG2101	116.66
1-3/8	PKH-RG2HDG2131	135.44
1-3/4	PKH-RG2HDG2171	159.30
2	PKH-RG2HDG2201	242.41
2-1/2	PKH-RG2HDG2251	288.11
3	PKH-RG2HDG2301	435.66

Rod Gland Bronze

Rod Size	Sales Part No	List Price
5/8	PKH-RGHD2-06	\$135.69
1	PKH-RGHD2-10	145.10
1-3/8	PKH-RGHD2-13	163.36
1-3/4	PKH-RGHD2-17	194.12
2	PKH-RGHD2-20	323.36
2-1/2	PKH-RGHD2-25	370.59
3	PKH-RGHD2-30	429.45

Gen II 2HD & 2HB Series



PTFE Piston Seal

Piston Seal Kits (7,8,9) Urethane		
Bore Size	Sales Part No	List Price
1-1/2	PKH-PK152HH001	\$48.96
2	PKH-PK202HH001	50.62
2-1/2	PKH-PK252HH001	65.31
3-1/4	PKH-PK322HH001	93.85
4	PKH-PK402HH001	110.94
5	PKH-PK502HH001	143.90
6	PKH-PK602HH001	172.79

Piston Seal Kits (6,7,8,9) PTFE/Fluorocarbon		
Bore Size	Sales Part No	List Price
1-1/2	PKH-PK152HF005	\$103.16
2	PKH-PK202HF005	123.52
2-1/2	PKH-PK252HF005	134.42
3-1/4	PKH-PK322HF005	152.76
4	PKH-PK402HF005	156.08
5	PKH-PK502HF005	190.66
6	PKH-PK602HF005	247.63

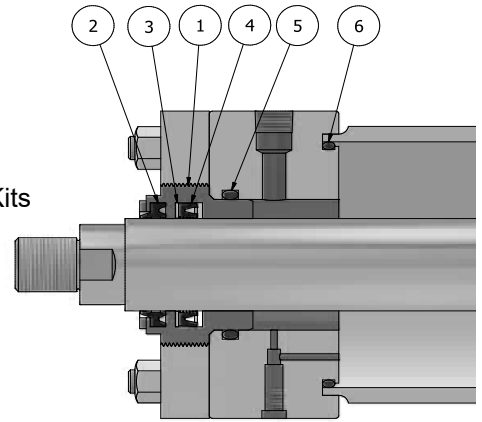
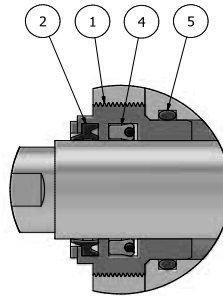
Piston Seal Kits (6,7,8,9) PTFE/Nitrile		
Bore Size	Sales Part No	List Price
1-1/2	PKH-PK152HF001	\$109.78
2	PKH-PK202HF001	109.34
2-1/2	PKH-PK252HF001	116.54
3-1/4	PKH-PK322HF001	132.14
4	PKH-PK402HF001	138.10
5	PKH-PK502HF001	181.94
6	PKH-PK602HF001	187.86

H, 2H, L, 2L, 3L, VH Series

Parker Series 3H (7 & 8 inch bore) rod kits*

Components	
1	Rod Gland
2	Rod Wiper
3	Rod Seal Back-Up
4	Rod Seal
5	Head Seal
6	End Seal
7	Piston Wear Ring
8	Piston Seal
9	Piston Seal Back-Up

*3-1/2 to 5-1/2 Rod Gland & Seal Kits

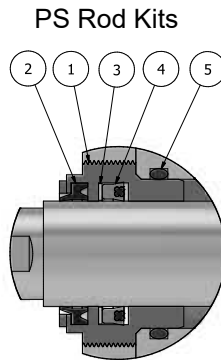
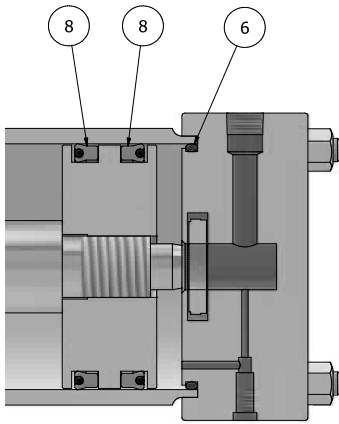


Rod Gland Kits (1,2,3,4,5) Nitrile		
Rod Dia	Sales Part No	List Price
1/2	PKH-RG2AHL0051	\$108.74
5/8	PKH-RG2AHL0061	65.67
1	PKH-RG2AHL0101	80.52
1-3/8	PKH-RG2AHL0131	98.18
1-3/4	PKH-RG2AHL0171	113.70
2	PKH-RG2AHL0201	141.85
2-1/2	PKH-RG2AHL0251	193.52
3	PKH-RG2AHL0301	248.38
3-1/2" - 5-1/2" (1,2,4,5)		
3-1/2	PKH-RG2AHL0351	544.50
4	PKH-RG2AHL0401	662.20
4-1/2	PKH-RG2AHL0451	823.91
5	PKH-RG2AHL0501	916.67
5-1/2	PKH-RG2AHL0551	945.40

Rod Gland Kits (1,2,3,4,5) Fluorocarbon		
Rod Dia	Sales Part No	List Price
1/2	PKH-RG2AHL0055	\$139.78
5/8	PKH-RG2AHL0065	107.14
1	PKH-RG2AHL0105	121.26
1-3/8	PKH-RG2AHL0135	152.34
1-3/4	PKH-RG2AHL0175	166.36
2	PKH-RG2AHL0205	198.01
2-1/2	PKH-RG2AHL0255	257.16
3	PKH-RG2AHL0305	292.33
3-1/2" - 5-1/2" (1,2,4,5)		
3-1/2	PKH-RG2AHL0355	590.06
4	PKH-RG2AHL0405	695.27
4-1/2	PKH-RG2AHL0455	830.71
5	PKH-RG2AHL0505	1037.65
5-1/2	PKH-RG2AHL0555	1132.47

Rod Gland Kits (1,2,3,4,5) Nitrile w/Loaded U-Seal		
Rod Dia	Sales Part No	List Price
1/2	PKH-RG2AHL0051PS	\$58.23
5/8	PKH-RG2AHL0061PS	63.14
1	PKH-RG2AHL0101PS	78.34
1-3/8	PKH-RG2AHL0131PS	96.33
1-3/4	PKH-RG2AHL0171PS	108.66
2	PKH-RG2AHL0201PS	136.83
2-1/2	PKH-RG2AHL0251PS	209.97
3	PKH-RG2AHL0301PS	248.44
3-1/2	PKH-RG2AHL0351PS	518.05

Rod Gland Kits (1,2,3,4,5) Fluorocarbon w/ Loaded U-Seal		
Rod Dia	Sales Part No	List Price
1/2	PKH-RG2AHL0055PS	\$70.89
5/8	PKH-RG2AHL0065PS	77.85
1	PKH-RG2AHL0105PS	94.20
1-3/8	PKH-RG2AHL0135PS	117.58
1-3/4	PKH-RG2AHL0175PS	136.40
2	PKH-RG2AHL0205PS	159.05
2-1/2	PKH-RG2AHL0255PS	257.52
3	PKH-RG2AHL0305PS	283.58
3-1/2	PKH-RG2AHL0355PS	522.18



Rod Seal Kits (2,3,4,5) Nitrile		
Rod Dia	Sales Part No	List Price
1/2	PKH-RK2AHL0051	\$12.60
5/8	PKH-RK2AHL0061	21.86
1	PKH-RK2AHL0101	15.80
1-3/8	PKH-RK2AHL0131	17.34
1-3/4	PKH-RK2AHL0171	20.07
2	PKH-RK2AHL0201	22.16
2-1/2	PKH-RK2AHL0251	24.88
3	PKH-RK2AHL0301	32.25
3-1/2" - 5-1/2" (2,4,5)		
3-1/2	PKH-RK2AHL0351	150.92
4	PKH-RK2AHL0401	187.46
4-1/2	PKH-RK2AHL0451	219.80
5	PKH-RK2AHL0501	273.68
5-1/2	PKH-RK2AHL0551	305.59

Rod Seal Kits (2,3,4,5) Fluorocarbon		
Rod Dia	Sales Part No	List Price
1/2	PKH-RK2AHL0055	\$52.36
5/8	PKH-RK2AHL0065	57.56
1	PKH-RK2AHL0105	64.67
1-3/8	PKH-RK2AHL0135	83.73
1-3/4	PKH-RK2AHL0175	87.22
2	PKH-RK2AHL0205	90.91
2-1/2	PKH-RK2AHL0255	99.49
3	PKH-RK2AHL0305	120.05
3-1/2" - 5-1/2" (2,4,5)		
3-1/2	PKH-RK2AHL0355	249.04
4	PKH-RK2AHL0405	288.56
4-1/2	PKH-RK2AHL0455	361.15
5	PKH-RK2AHL0505	421.98
5-1/2	PKH-RK2AHL0555	605.42

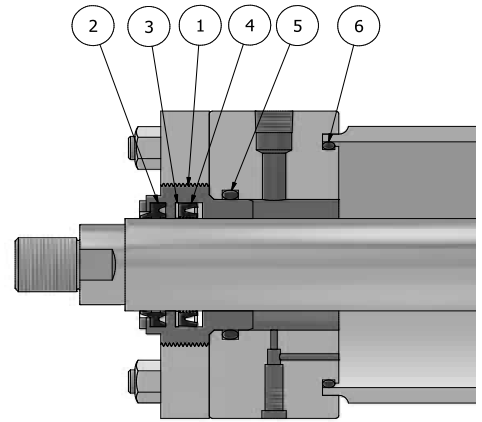
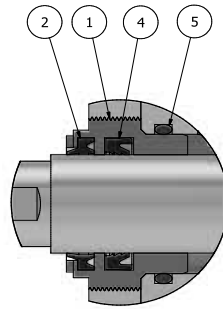
Rod Seal Kits (2,3,4,5) Nitrile Loaded U-Seal		
Rod Dia	Sales Part No	List Price
1/2	PKH-RK2AHL0051PS	\$17.39
5/8	PKH-RK2AHL0061PS	18.33
1	PKH-RK2AHL0101PS	26.11
1-3/8	PKH-RK2AHL0131PS	30.71
1-3/4	PKH-RK2AHL0171PS	26.40
2	PKH-RK2AHL0201PS	32.39
2-1/2	PKH-RK2AHL0251PS	49.48
3	PKH-RK2AHL0301PS	59.71
3-1/2	PKH-RK2AHL0351PS	118.16

Rod Seal Kits (2,3,4,5) Fluorocarbon Loaded U-Seal		
Rod Dia	Sales Part No	List Price
1/2	PKH-RK2AHL0055PS	\$30.07
5/8	PKH-RK2AHL0065PS	33.03
1	PKH-RK2AHL0105PS	41.97
1-3/8	PKH-RK2AHL0135PS	51.97
1-3/4	PKH-RK2AHL0175PS	54.13
2	PKH-RK2AHL0205PS	54.61
2-1/2	PKH-RK2AHL0255PS	97.03
3	PKH-RK2AHL0305PS	94.85
3-1/2	PKH-RK2AHL0355PS	122.29

H, 2H, L, 2L, 3L, VH Series

Parker Series 3H (7 & 8 inch bore) rod kits*

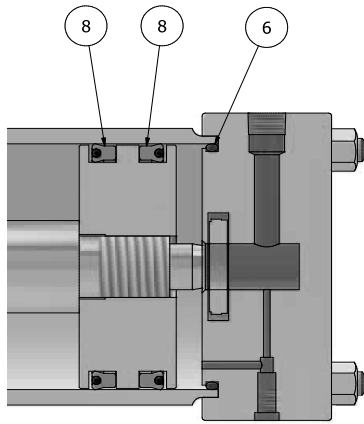
HLTS Rod Kits



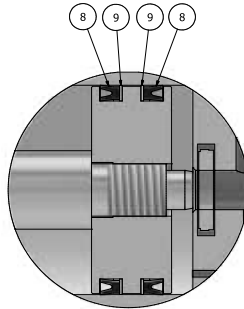
*Rod Gland Kits (1,2,4,5) Urethane Excluding 10 & 12 inch Bores for H and 2H Series		
Rod Dia	Sales Part No	List Price
1/2	PKH-RG2HLTS051	\$159.43
5/8	PKH-RG2HLTS061	122.27
1	PKH-RG2HLTS101	138.72
1-3/8	PKH-RG2HLTS131	162.29
1-3/4	PKH-RG2HLTS171	174.17
2	PKH-RG2HLTS201	226.48
2-1/2	PKH-RG2HLTS251	293.91
3	PKH-RG2HLTS301	364.33
3-1/2	PKH-RG2HLTS351	515.51
4	PKH-RG2HLTS401	673.84
4-1/2	PKH-RG2HLTS451	732.92
5	PKH-RG2HLTS501	967.63
5-1/2	PKH-RG2HLTS551	998.57

*Rod Seal Kits (2,4,5) Urethane Excluding 10 & 12 inch Bores for H and 2H Series		
Rod Dia	Sales Part No	List Price
1/2	PKH-RK2HLTS051	\$37.58
5/8	PKH-RK2HLTS061	38.51
1	PKH-RK2HLTS101	45.51
1-3/8	PKH-RK2HLTS131	53.77
1-3/4	PKH-RK2HLTS171	62.47
2	PKH-RK2HLTS201	71.60
2-1/2	PKH-RK2HLTS251	76.58
3	PKH-RK2HLTS301	83.25
3-1/2	PKH-RK2HLTS351	99.76
4	PKH-RK2HLTS401	111.43
4-1/2	PKH-RK2HLTS451	121.69
5	PKH-RK2HLTS501	132.02
5-1/2	PKH-RK2HLTS551	144.94

Rod Glands (1) Bronze		
Rod Dia	Sales Part No	List Price
1/2	PKH-RG-05	\$59.62
5/8	PKH-RG-06	35.92
1	PKH-RG-10	41.72
1-3/8	PKH-RG-13	57.86
1-3/4	PKH-RG-17	70.38
2	PKH-RG-20	86.04
2-1/2	PKH-RG-25	121.38
3	PKH-RG-30	167.79
3-1/2	PKH-RG-35	393.60
4	PKH-RG-40	400.99
4-1/2	PKH-RG-45	576.64
5	PKH-RG-50	668.06
5-1/2	PKH-RG-55	704.58



Lip Seal Piston Kits



Components

1	Rod Gland
2	Rod Wiper
3	Rod Seal Back-Up
4	Rod Seal
5	Head Seal
6	End Seal
7	Piston Wear Ring
8	Piston Seal
9	Piston Seal Back-Up

Loaded U-Seal Piston Seal Kits (6,8) Urethane

Bore Dia	Sales Part No	List Price
1	PKH-PK102HLLP1	\$47.04
1-1/2	PKH-PK152HLLP1	32.46
2	PKH-PK202HLLP1	36.71
2-1/2	PKH-PK252HLLP1	38.54
3-1/4	PKH-PK322HLLP1	51.65
4	PKH-PK402HLLP1	60.00
5	PKH-PK502HLLP1	98.15
6	PKH-PK602HLLP1	147.65
6	PKH-PK602HLLP1-OLD	136.92
8	PKH-PK802HLLP1	180.12

Loaded U-Seal Piston Seal Kits (6,8) Fluorocarbon

Bore Dia	Sales Part No	List Price
1-1/2	PKH-PK152HLLP5	\$121.26
2	PKH-PK202HLLP5	137.52
2-1/2	PKH-PK252HLLP5	145.42
3-1/4	PKH-PK322HLLP5	268.28
4	PKH-PK402HLLP5	314.60
5	PKH-PK502HLLP5	374.07
6	PKH-PK602HLLP5	753.99
6	PKH-PK602HLLP5-OLD	535.48
8	PKH-PK802HLLP5	703.68

Lip Seal Piston Seal Kits (6,8,9) Nitrile H, 2H, L, 2L, & 3L

Bore Dia	Sales Part No	List Price
1	PKH-PK102HLL01	\$23.05
1-1/2	PKH-PK152HLL01	16.96
2	PKH-PK202HLL01	21.61
2-1/2	PKH-PK252HLL01	25.05
3-1/4	PKH-PK322HLL01	31.07
4	PKH-PK402HLL01	40.85
5	PKH-PK502HLL01	47.53
6	PKH-PK602HLL01	61.78
7	PKH-PK702HLL01	164.15
8	PKH-PK802HLL01	179.79
10	PKH-PK902HLL01	320.55
12	PKH-PK922HLL01	434.96

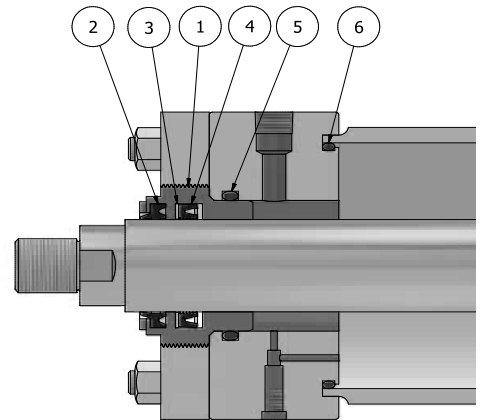
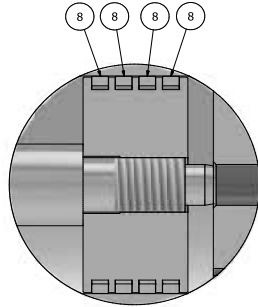
Lip Seal Piston Seal Kits (6,8,9) Fluorocarbon H, 2H, L, 2L, & 3L

Bore Dia	Sales Part No	List Price
1	PKH-PK102HLL05	\$80.45
1-1/2	PKH-PK152HLL05	83.54
2	PKH-PK202HLL05	130.24
2-1/2	PKH-PK252HLL05	131.95
3-1/4	PKH-PK322HLL05	142.21
4	PKH-PK402HLL05	177.58
5	PKH-PK502HLL05	212.20
6	PKH-PK602HLL05	283.71
7	PKH-PK702HLL05	449.78
8	PKH-PK802HLL05	615.34
10	PKH-PK902HLL05	961.66
12	PKH-PK922HLL05	1199.81

H, 2H, L, 2L, 3L, VH Series

Parker Series 3H (7 & 8 inch bore) rod kits*

Cast Iron Piston Kits

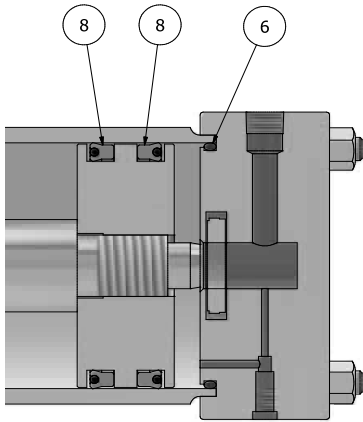


Cast Iron Piston Seal Kits (6,8) Nitrile H, 2H, L, 2L, & 3L

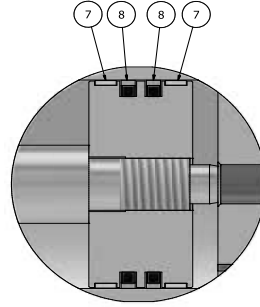
Bore Dia	Sales Part No	List Price
1	PKH-PR102H0001	\$136.11
1-1/2	PKH-PR152H0001	76.12
2	PKH-PR202H0001	81.22
2-1/2	PKH-PR252H0001	82.14
3-1/4	PKH-PR322H0001	88.82
4	PKH-PR402H0001	91.44
5	PKH-PR502H0001	120.43
6	PKH-PR602H0001	181.03
7	PKH-PR702H0001	202.30
8	PKH-PR802H0001	309.18
10	PKH-PR902H0001	844.70
12	PKH-PR922H0001	1352.80

Cast Iron Piston Seal Kits (6,8) Fluorocarbon H, 2H, L, 2L, & 3L

Bore Dia	Sales Part No	List Price
1	PKH-PR102H0005	\$136.95
1-1/2	PKH-PR152H0005	88.18
2	PKH-PR202H0005	91.41
2-1/2	PKH-PR252H0005	92.67
3-1/4	PKH-PR322H0005	110.41
4	PKH-PR402H0005	112.51
5	PKH-PR502H0005	159.53
6	PKH-PR602H0005	193.07
7	PKH-PR702H0005	237.70
8	PKH-PR802H0005	329.80
10	PKH-PR902H0005	944.68
12	PKH-PR922H0005	1578.95



High Load Piston Kits



Components	
1	Rod Gland
2	Rod Wiper
3	Rod Seal Back-Up
4	Rod Seal
5	Head Seal
6	End Seal
7	Piston Wear Ring
8	Piston Seal
9	Piston Seal Back-Up

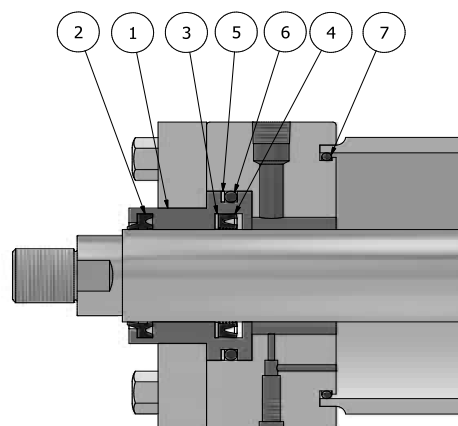
High Load Piston Seal Kits (6,7,8) Nitrile 2H & VH Series		
Bore Dia	Sales Part No	List Price
1-1/2	PKH-PK152HK001	\$41.53
2	PKH-PK202HK001	53.91
2-1/2	PKH-PK252HK001	51.98
3-1/4	PKH-PK322HK001	68.63
4	PKH-PK402HK001	59.77
5	PKH-PK502HK001	67.08
6	PKH-PK602HK001	123.06
7	PKH-PK702HK001	271.17
8	PKH-PK802HK001	290.42
10	PKH-PK902HK001	544.08
12	PKH-PK922HK001	1113.49

High Load Piston Seal Kits (6,7,8) Fluorocarbon 2H & VH Series		
Bore Dia	Sales Part No	List Price
1-1/2	PKH-PK152HK005	\$72.04
2	PKH-PK202HK005	81.55
2-1/2	PKH-PK252HK005	87.66
3-1/4	PKH-PK322HK005	193.07
4	PKH-PK402HK005	213.64
5	PKH-PK502HK005	236.42
6	PKH-PK602HK005	368.62
7	PKH-PK702HK005	546.74
8	PKH-PK802HK005	779.38
10	PKH-PK902HK005	1116.38
12	PKH-PK922HK005	1202.63

End Seal Kits (6) Nitrile		
Bore	Sales Part No	List Price
1	PKH-CB102HL001	\$11.12
1-1/2	PKH-CB152HL001	11.39
2	PKH-CB202HL001	11.97
2-1/2	PKH-CB252HL001	12.50
3-1/4	PKH-CB322HL001	13.21
4	PKH-CB402HL001	13.79
5	PKH-CB502HL001	15.88
6	PKH-CB602HL001	18.91
7	PKH-CB702HL001	20.37
8	PKH-CB802HL001	23.14
10	PKH-CB902HL001	28.18

End Seal Kits (6) Fluorocarbon		
Bore	Sales Part No	List Price
1	PKH-CB102HL005	\$15.61
1-1/2	PKH-CB152HL005	15.61
2	PKH-CB202HL005	26.68
2-1/2	PKH-CB252HL005	33.32
3-1/4	PKH-CB322HL005	40.52
4	PKH-CB402HL005	50.67
5	PKH-CB502HL005	73.15
6	PKH-CB602HL005	76.50
7	PKH-CB702HL005	109.76
8	PKH-CB802HL005	111.69
10	PKH-CB902HL005	123.65

Parker HD Series



Components

Component No.	Description
1	Rod Gland
2	Rod Wiper
3	Rod Seal Back-Up
4	Rod Seal
5	Head Seal Back-Up
6	Head Seal
7	End Seal
8	Piston Seal
9	Piston Seal Back-Up
10	Piston Wear Ring

Rod Gland Kits (1,2,4,5,6) Urethane/Nitrile

Rod Dia	Sales Part No	List Price
5/8	PKH-RG1HDL0061	\$92.42
1	PKH-RG1HDL0101	119.00
1-3/8	PKH-RG1HDL0131	154.53
1-3/4	PKH-RG1HDL0171	182.62
2	PKH-RG1HDL0201	262.77
2-1/2	PKH-RG1HDL0251	351.82
3-1/2	PKH-RG1HDL0351	436.12

Rod Gland Kits (1,2,3,4,5,6) Fluorocarbon

Rod Dia	Sales Part No	List Price
5/8	PKH-RG1HDL0065	\$112.01
1	PKH-RG1HDL0105	137.97
1-3/8	PKH-RG1HDL0135	187.04
1-3/4	PKH-RG1HDL0175	228.17
2	PKH-RG1HDL0205	309.49
2-1/2	PKH-RG1HDL0255	403.61
3-1/2	PKH-RG1HDL0355	495.73

Rod Glands (1) Bronze

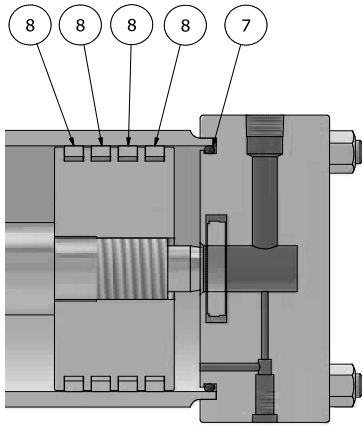
Rod Dia	Sales Part No	List Price
5/8	PKH-RGHD-06	\$70.06
1	PKH-RGHD-10	91.96
1-3/8	PKH-RGHD-13	120.87
1-3/4	PKH-RGHD-17	153.01
2	PKH-RGHD-20	225.32
2-1/2	PKH-RGHD-25	277.28
3-1/2	PKH-RGHD-35	340.51

Rod Seal Kits (2,4,5,6) Urethane/Nitrile

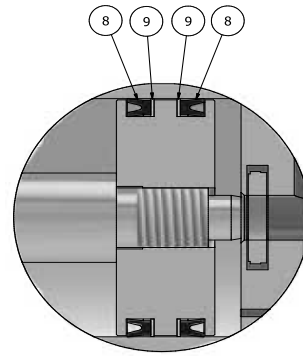
Rod Dia	Sales Part No	List Price
5/8	PKH-RK1HDL0061	\$17.55
1	PKH-RK1HDL0101	20.75
1-3/8	PKH-RK1HDL0131	25.39
1-3/4	PKH-RK1HDL0171	31.26
2	PKH-RK1HDL0201	39.32
2-1/2	PKH-RK1HDL0251	55.53
3-1/2	PKH-RK1HDL0351	72.28

Rod Seal Kits (2,3,4,5,6) Fluorocarbon

Rod Dia	Sales Part No	List Price
5/8	PKH-RK1HDL0065	\$37.16
1	PKH-RK1HDL0105	39.70
1-3/8	PKH-RK1HDL0135	57.91
1-3/4	PKH-RK1HDL0175	64.68
2	PKH-RK1HDL0205	68.74
2-1/2	PKH-RK1HDL0255	107.33
3-1/2	PKH-RK1HDL0355	131.91



Lip Seal Piston Kits



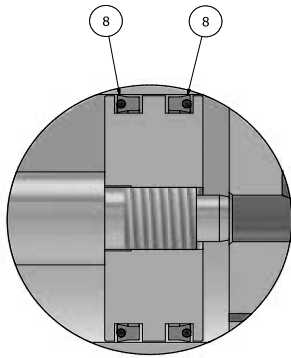
Cast Iron Piston Seal Kits (7,8) Nitrile		
Bore Dia	Sales Part No	List Price
1	PKH-PR102H0001	\$136.11
1-1/2	PKH-PR152H0001	76.12
2	PKH-PR202H0001	81.22
2-1/2	PKH-PR252H0001	82.14
3-1/4	PKH-PR322H0001	88.82
4	PKH-PR402H0001	91.44
5	PKH-PR502H0001	120.43
6	PKH-PR602H0001	181.03
7	PKH-PR702H0001	202.30
8	PKH-PR802H0001	309.18
10	PKH-PR902H0001	844.70
12	PKH-PR922H0001	1352.80

Cast Iron Piston Seal Kits (7,8) Fluorocarbon		
Bore Dia	Sales Part No	List Price
1	PKH-PR102H0005	\$136.95
1-1/2	PKH-PR152H0005	88.18
2	PKH-PR202H0005	91.41
2-1/2	PKH-PR252H0005	92.67
3-1/4	PKH-PR322H0005	110.41
4	PKH-PR402H0005	112.51
5	PKH-PR502H0005	159.53
6	PKH-PR602H0005	193.07
7	PKH-PR702H0005	237.70
8	PKH-PR802H0005	329.80
10	PKH-PR902H0005	944.68
12	PKH-PR922H0005	1578.95

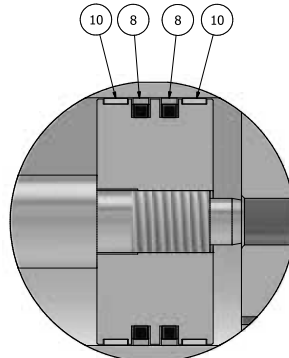
Lip Seal Piston Seal Kits (7,8,9) Nitrile		
Bore	Sales Part No	List Price
1	PKH-PK102HLL01	\$23.05
1-1/2	PKH-PK152HLL01	16.96
2	PKH-PK202HLL01	21.61
2-1/2	PKH-PK252HLL01	25.05
3-1/4	PKH-PK322HLL01	31.07
4	PKH-PK402HLL01	40.85
5	PKH-PK502HLL01	47.53
6	PKH-PK602HLL01	61.78
7	PKH-PK702HLL01	164.15
8	PKH-PK802HLL01	179.79
10	PKH-PK902HLL01	320.55
12	PKH-PK922HLL01	434.96

Lip Seal Piston Kits (7,8,9) Fluorocarbon		
Bore	Sales Part No	List Price
1	PKH-PK102HLL05	\$80.45
1-1/2	PKH-PK152HLL05	83.54
2	PKH-PK202HLL05	130.24
2-1/2	PKH-PK252HLL05	131.95
3-1/4	PKH-PK322HLL05	142.21
4	PKH-PK402HLL05	177.58
5	PKH-PK502HLL05	212.20
6	PKH-PK602HLL05	283.71
7	PKH-PK702HLL05	449.78
8	PKH-PK802HLL05	615.34
10	PKH-PK902HLL05	961.66
12	PKH-PK922HLL05	1199.81

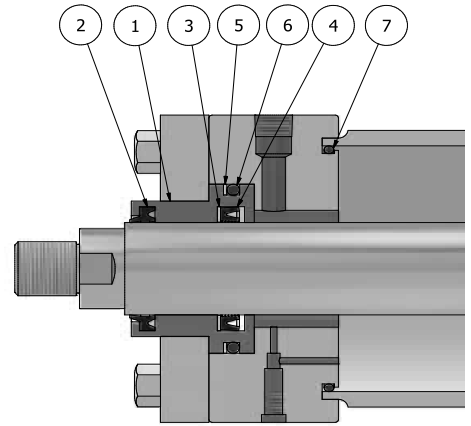
Parker HD Series



Loaded U-Seal Kits



High Load Kits



Loaded U-Seal Piston Seal Kits (7,8) Urethane

Bore Dia	Sales Part No	List Price
1	PKH-PK102HLLP1	\$47.04
1-1/2	PKH-PK152HLLP1	32.46
2	PKH-PK202HLLP1	36.71
2-1/2	PKH-PK252HLLP1	38.54
3-1/4	PKH-PK322HLLP1	51.65
4	PKH-PK402HLLP1	60.00
5	PKH-PK502HLLP1	98.15
6	PKH-PK602HLLP1	147.65
6	PKH-PK602HLLP1-OLD	136.92
8	PKH-PK802HLLP1	180.12

Loaded U-Seal Piston Kits (7,8) Fluorocarbon

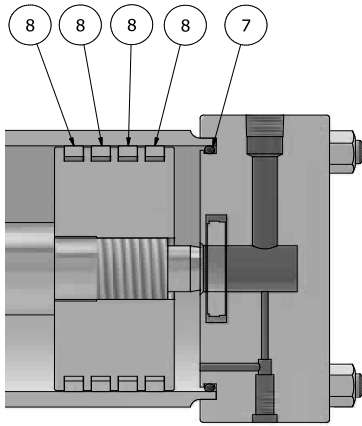
Bore Dia	Sales Part No	List Price
1-1/2	PKH-PK152HLLP5	\$121.26
2	PKH-PK202HLLP5	137.52
2-1/2	PKH-PK252HLLP5	145.42
3-1/4	PKH-PK322HLLP5	268.28
4	PKH-PK402HLLP5	314.6
5	PKH-PK502HLLP5	374.07
6	PKH-PK602HLLP5	753.99
6	PKH-PK602HLLP5-OLD	535.48
8	PKH-PK802HLLP5	703.68

High Load Piston Seal Kits (7,8,10) Nitrile

Bore Dia	Sales Part No	List Price
1-1/2	PKH-PK152HK001	\$41.53
2	PKH-PK202HK001	53.91
2-1/2	PKH-PK252HK001	51.98
3-1/4	PKH-PK322HK001	68.63
4	PKH-PK402HK001	59.77
5	PKH-PK502HK001	67.08
6	PKH-PK602HK001	123.06
7	PKH-PK702HK001	271.17
8	PKH-PK802HK001	290.42
10	PKH-PK902HK001	544.08
12	PKH-PK922HK001	1113.49

High Load Piston Seal Kits (7,8,10) Fluorocarbon

Bore Dia	Sales Part No	List Price
1-1/2	PKH-PK152HK005	\$72.04
2	PKH-PK202HK005	81.55
2-1/2	PKH-PK252HK005	87.66
3-1/4	PKH-PK322HK005	193.07
4	PKH-PK402HK005	213.64
5	PKH-PK502HK005	236.42
6	PKH-PK602HK005	368.62
7	PKH-PK702HK005	546.74
8	PKH-PK802HK005	779.38
10	PKH-PK902HK005	1116.38
12	PKH-PK922HK005	1202.63

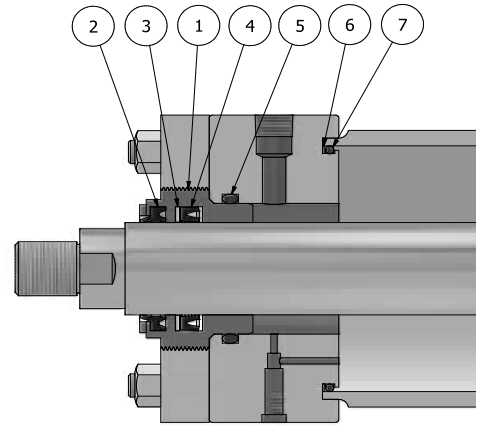


Components	
1	Rod Gland
2	Rod Wiper
3	Rod Seal Back-Up
4	Rod Seal
5	Head Seal Back-Up
6	Head Seal
7	End Seal
8	Piston Seal
9	Piston Seal Back-Up
10	Piston Wear Ring

End Seal Kits (7) Nitrile		
Bore	Sales Part No	List Price
1	PKH-CB102HL001	\$11.12
1-1/2	PKH-CB152HL001	11.39
2	PKH-CB202HL001	11.97
2-1/2	PKH-CB252HL001	12.50
3-1/4	PKH-CB322HL001	13.21
4	PKH-CB402HL001	13.79
5	PKH-CB502HL001	15.88
6	PKH-CB602HL001	18.91
7	PKH-CB702HL001	20.37
8	PKH-CB802HL001	23.14
10	PKH-CB902HL001	28.18

End Seal Kits (7) Fluorocarbon		
Bore	Sales Part No	List Price
1	PKH-CB102HL005	\$15.61
1-1/2	PKH-CB152HL005	15.61
2	PKH-CB202HL005	26.68
2-1/2	PKH-CB252HL005	33.32
3-1/4	PKH-CB322HL005	40.52
4	PKH-CB402HL005	50.67
5	PKH-CB502HL005	73.15
6	PKH-CB602HL005	76.50
7	PKH-CB702HL005	109.76
8	PKH-CB802HL005	111.69
10	PKH-CB902HL005	123.65

Parker HMI Series



Rod Gland Kits (1,2,4,5) Urethane

Rod Dia	Sales Part No	List Price
12 mm	PKH-RG2HM0121	\$102.83
14 mm	PKH-RG2HM0141	146.24
18 mm	PKH-RG2HM0181	142.63
22 mm	PKH-RG2HM0221	147.22
28 mm	PKH-RG2HM0281	150.67
36 mm	PKH-RG2HM0361	144.32
45 mm	PKH-RG2HM0451	159.87
56 mm	PKH-RG2HM0561	295.45
70 mm	PKH-RG2HM0701	434.33

Rod Glands (1) Bronze

Rod Dia	Sales Part No	List Price
12 mm	PKH-RGHM-012	\$45.44
14 mm	PKH-RGHM-014	79.40
18 mm	PKH-RGHM-018	85.29
22 mm	PKH-RGHM-022	83.39
28 mm	PKH-RGHM-028	90.47
36 mm	PKH-RGHM-036	87.98
45 mm	PKH-RGHM-045	83.43
56 mm	PKH-RGHM-056	190.04
70 mm	PKH-RGHM-070	313.83

Rod Seal Kits (2,4,5) Urethane

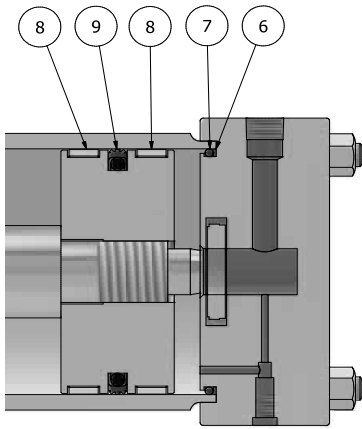
Rod Dia	Sales Part No	List Price
12 mm	PKH-RK2HM0121	\$46.69
14 mm	PKH-RK2HM0141	48.10
18 mm	PKH-RK2HM0181	37.25
22 mm	PKH-RK2HM0221	51.81
28 mm	PKH-RK2HM0281	23.40
36 mm	PKH-RK2HM0361	35.59
45 mm	PKH-RK2HM0451	56.82
56 mm	PKH-RK2HM0561	60.66
70 mm	PKH-RK2HM0701	46.58
90 mm	PKH-RK2HM0901	87.50
110 mm	PKH-RK2HM1101	112.96
140 mm	PKH-RK2HM1401	146.61

Rod Gland Kits (1,2,3,4,5) Fluorocarbon

Rod Dia	Sales Part No	List Price
12 mm	PKH-RG2HM0125	\$115.14
14 mm	PKH-RG2HM0145	158.34
18 mm	PKH-RG2HM0185	169.12
22 mm	PKH-RG2HM0225	177.26
28 mm	PKH-RG2HM0285	196.30
36 mm	PKH-RG2HM0365	190.59
45 mm	PKH-RG2HM0455	196.42
56 mm	PKH-RG2HM0565	366.15
70 mm	PKH-RG2HM0705	532.34

Rod Seal Kits (2,3*,4*,5) * 90-140mm Single Lip Rod U-seal w/ Bronze/ PTFE ID back-up ring Fluorocarbon

Rod Dia	Sales Part No	List Price
12 mm	PKH-RK2HM0125	\$59.09
14 mm	PKH-RK2HM0145	60.24
18 mm	PKH-RK2HM0185	63.71
22 mm	PKH-RK2HM0225	66.50
28 mm	PKH-RK2HM0285	79.91
36 mm	PKH-RK2HM0365	81.86
45 mm	PKH-RK2HM0455	93.25
56 mm	PKH-RK2HM0565	131.36
70 mm	PKH-RK2HM0705	144.56
90 mm	PKH-RK2HM0905	470.47
110 mm	PKH-RK2HM1105	628.82
140 mm	PKH-RK2HM1405	752.93



Components	
1	Rod Gland
2	Rod Wiper
3	Rod Seal Back-Up
4	Rod Seal
5	Head Seal
6	End Seal Back-Up**
7	End Seal
8	Piston Wear Ring
9	Piston Seal
** in 63mm and larger Piston Kits	

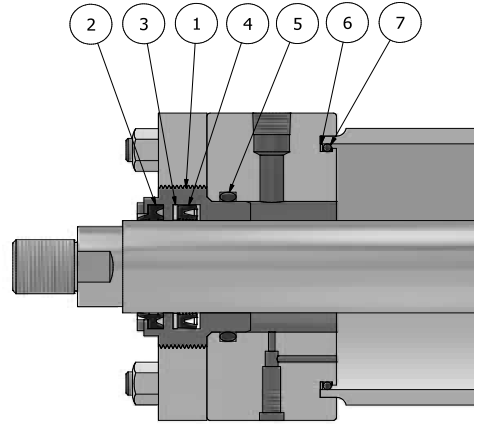
Piston Seal Kits (6,7,8,9) Urethane/Nitrile		
Bore Dia	Sales Part No	List Price
25 mm	PKH-PN025HM001	\$29.34
32 mm	PKH-PN032HM001	34.46
40 mm	PKH-PN040HM001	50.60
50 mm	PKH-PN050HM001	55.03
63 mm	PKH-PN063HM001	65.95
80 mm	PKH-PN080HM001	72.53
100 mm	PKH-PN100HM001	96.65
125 mm	PKH-PN125HM001	167.16
160 mm	PKH-PN160HM001	280.03
200 mm	PKH-PN200HM001	294.97

Piston Seal Kits (6,7,8,9) Step-Cut Nylon/Fluorocarbon		
Bore	Sales Part No	List Price
25 mm	PKH-PN025HM005	\$131.24
32 mm	PKH-PN032HM005	169.50
40 mm	PKH-PN040HM005	209.44
50 mm	PKH-PN050HM005	219.55
63 mm	PKH-PN063HM005	283.77
80 mm	PKH-PN080HM005	335.07
100 mm	PKH-PN100HM005	344.32
125 mm	PKH-PN125HM005	383.49
160 mm	PKH-PN160HM005	610.39
200 mm	PKH-PN200HM005	706.14

End Seal Kits (6,7) Nitrile		
Bore Dia	Sales Part No	List Price
25 mm	PKH-CB025HM001	\$13.81
32 mm	PKH-CB032HM001	14.24
40 mm	PKH-CB040HM001	14.71
50 mm	PKH-CB050HM001	15.23
63 mm	PKH-CB063HM001	18.24
80 mm	PKH-CB080HM001	19.20
100 mm	PKH-CB100HM001	21.68
125 mm	PKH-CB125HM001	28.21
160 mm	PKH-CB160HM001	36.90
200 mm	PKH-CB200HM001	47.56

End Seal Kits (6,7) Fluorocarbon		
Bore	Sales Part No	List Price
25 mm	PKH-CB025HM005	\$26.07
32 mm	PKH-CB032HM005	26.80
40 mm	PKH-CB040HM005	28.05
50 mm	PKH-CB050HM005	35.05
63 mm	PKH-CB063HM005	35.49
80 mm	PKH-CB080HM005	36.26
100 mm	PKH-CB100HM005	54.29
125 mm	PKH-CB125HM005	71.12
160 mm	PKH-CB160HM005	123.61
200 mm	PKH-CB200HM005	191.53

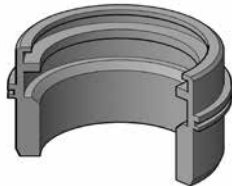
Parker MA Series



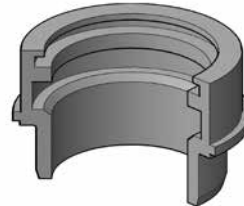
Components	
1	Rod Gland
2	Rod Wiper
3	Rod Seal Back-Up
4	Rod Seal
5	Head Seal
6	End Seal
7	Piston Seal
8	Piston Seal Back-Up

Rod Gland Kits (1,2,3,4,5) Nitrile		
Rod Dia	Sales Part No	List Price
5/8	PKH-RGL6948MA1	\$81.90
1	PKH-RGL6949MA1	68.72
1-3/8	PKH-RGL6950MA1	81.79

Rod Gland Kits (1,2,3,4,5) Fluorocarbon		
Rod Dia	Sales Part No	List Price
5/8	PKH-RGL6948MA5	\$92.89
1	PKH-RGL6949MA5	88.57
1-3/8	PKH-RGL6950MA5	109.41

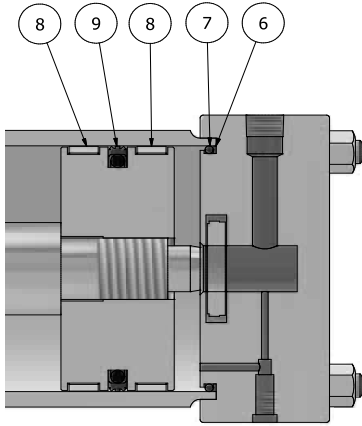


5/8" Rod Gland Profile



1" & 1-3/8" Rod Gland Profile

Rod Glands (1) Bronze		
Rod Dia	Sales Part No	List Price
5/8	PKH-RGMA-06	\$64.61
1	PKH-RGMA-10	51.13
1-3/8	PKH-RGMA-13	62.24



Rod & Piston Seal Kits (2,3,4,5,6,7,8) Nitrile

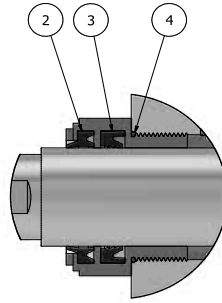
Rod Dia	Bore Dia	Sales Part No	List Price
5/8	1-1/2	PKH-SKL7000MA1	\$35.76
5/8	2	PKH-SKL7001MA1	36.10
1	2	PKH-SKL7002MA1	36.69
5/8	2-1/2	PKH-SKL7003MA1	47.59
1	2-1/2	PKH-SKL7004MA1	39.64
1	3-1/4	PKH-SKL7005MA1	41.20
1-3/8	3-1/4	PKH-SKL7006MA1	46.66
1	4	PKH-SKL7007MA1	47.59
1-3/8	4	PKH-SKL7008MA1	51.34
1	5	PKH-SKL7009MA1	58.80
1-3/8	5	PKH-SKL7010MA1	64.30
1-3/8	6	PKH-SKL7098MA1	69.25

Rod & Piston Seal Kits (2,3,4,5,6,7,8) Fluorocarbon

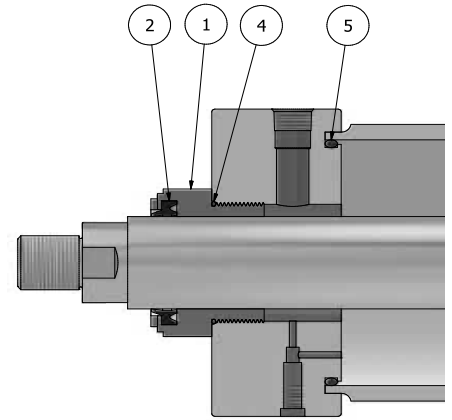
Rod Dia	Bore Dia	Sales Part No	List Price
5/8	1-1/2	PKH-SKL7000MA5	\$100.68
5/8	2	PKH-SKL7001MA5	105.31
1	2	PKH-SKL7002MA5	109.95
5/8	2-1/2	PKH-SKL7003MA5	128.75
1	2-1/2	PKH-SKL7004MA5	133.40
1	3-1/4	PKH-SKL7005MA5	141.12
1-3/8	3-1/4	PKH-SKL7006MA5	161.02
1	4	PKH-SKL7007MA5	167.39
1-3/8	4	PKH-SKL7008MA5	187.39
1	5	PKH-SKL7009MA5	204.04
1-3/8	5	PKH-SKL7010MA5	224.08
1-3/8	6	PKH-SKL7098MA5	276.49

Parker 2MA & 2ML Series

Components	
1	Rod Gland
2	Rod Wiper
3	Rod Seal
4	Head Seal
5	End Seal
6	Piston Seal
7	Piston Seal Back-Up
8	Piston Wear Ring



2ML Rod Kits



2MA Rod Gland Kits (1,2,4) Nitrile		
Rod Dia	Sales Part No	List Price
1/2	PKH-RG02MA0051	\$68.14
5/8	PKH-RG02MA0061	45.02
1	PKH-RG02MA0101	51.57
1-3/8	PKH-RG02MA0131	77.02
1-3/4	PKH-RG02MA0171	156.76

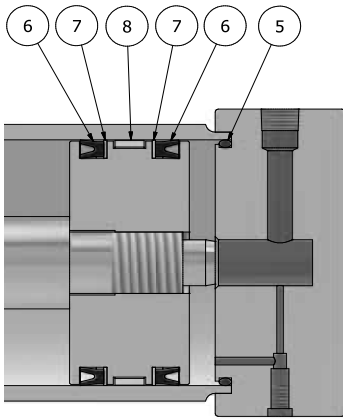
2MA Rod Gland Kits (1,2,4) Fluorocarbon		
Rod Dia	Sales Part No	List Price
1/2	PKH-RG02MA0055	\$72.60
5/8	PKH-RG02MA0065	71.89
1	PKH-RG02MA0105	79.66
1-3/8	PKH-RG02MA0135	115.15
1-3/4	PKH-RG02MA0175	175.84

2MA Rod Seal Kits (2,4) Nitrile		
Rod Dia	Sales Part No	List Price
1/2	PKH-RK02MA0051	\$21.99
5/8	PKH-RK02MA0061	22.67
1	PKH-RK02MA0101	23.25
1-3/8	PKH-RK02MA0131	24.88
1-3/4	PKH-RK02MA0171	26.58

2MA Rod Seal Kits (2,4) Fluorocarbon		
Rod Dia	Sales Part No	List Price
1/2	PKH-RK02MA0055	\$32.87
5/8	PKH-RK02MA0065	33.77
1	PKH-RK02MA0105	34.88
1-3/8	PKH-RK02MA0135	43.67
1-3/4	PKH-RK02MA0175	54.92

2MA Rod Glands (1) Bronze		
Rod Dia	Sales Part No	List Price
1/2	PKH-RG02MA-05	\$57.43
5/8	PKH-RG02MA-06	42.33
1	PKH-RG02MA-10	52.97
1-3/8	PKH-RG02MA-13	76.59
1-3/4	PKH-RG02MA-17	120.62

2ML Rod Seal Kits (2,3,4) Urethane		
Rod Dia	Sales Part No	List Price
5/8	PKH-RK02ML0061	\$29.09
1	PKH-RK02ML0101	30.08
1-3/8	PKH-RK02ML0131	34.12
1-3/4	PKH-RK02ML0171	38.99



2MA Piston Seal Kits (5,6,7,8) Nitrile		
Bore Dia	Sales Part No	List Price
1-1/2	PKH-PK1502MA01	\$40.99
2	PKH-PK2002MA01	41.55
2-1/2	PKH-PK2502MA01	44.56
3-1/4	PKH-PK3202MA01	53.57
4	PKH-PK4002MA01	65.67
5	PKH-PK5002MA01	84.97
6	PKH-PK6002MA01	113.61
8	PKH-PK8002MA01	200.57

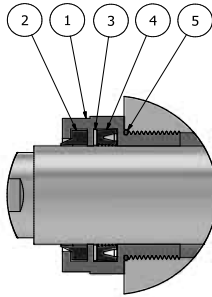
2MA Piston Seal Kits (5,6,7,8) Fluorocarbon		
Bore Dia	Sales Part No	List Price
1-1/2	PKH-PK1502MA05	\$79.87
2	PKH-PK2002MA05	85.54
2-1/2	PKH-PK2502MA05	113.54
3-1/4	PKH-PK3202MA05	140.35
4	PKH-PK4002MA05	159.00
5	PKH-PK5002MA05	240.59
6	PKH-PK6002MA05	340.78
8	PKH-PK8002MA05	569.82

2ML Piston Seal Kits (5,6,7,8) Nitrile		
Bore Dia	Sales Part No	List Price
1-1/2	PKH-PK1502ML01	\$49.64
2	PKH-PK2002ML01	37.57
2-1/2	PKH-PK2502ML01	39.34
3-1/4	PKH-PK3202ML01	46.87
4	PKH-PK4002ML01	67.18
5	PKH-PK5002ML01	111.40
6	PKH-PK6002ML01	142.52
8	PKH-PK8002ML01	242.83

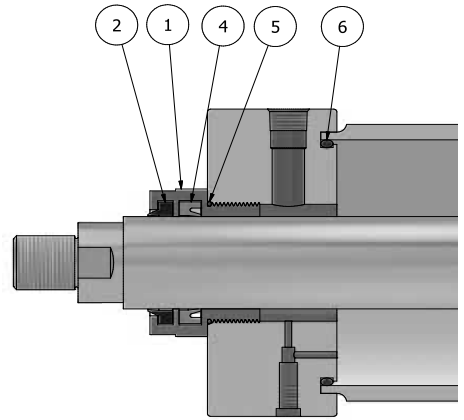
2MA & 2ML End Seal Kits (5) Nitrile		
Bore	Sales Part No	List Price
1-1/2	PKH-CB1502MA01	\$10.84
2	PKH-CB2002MA01	10.84
2-1/2	PKH-CB2502MA01	11.16
3-1/4	PKH-CB3202MA01	15.29
4	PKH-CB4002MA01	23.98
5	PKH-CB5002MA01	31.40
6	PKH-CB6002MA01	41.77
8	PKH-CB8002MA01	51.04

2MA End Seal Kits (5) Fluorocarbon		
Bore Dia	Sales Part No	List Price
1-1/2	PKH-CB1502MA05	\$11.23
2	PKH-CB2002MA05	18.69
2-1/2	PKH-CB2502MA05	18.69
3-1/4	PKH-CB3202MA05	24.79
4	PKH-CB4002MA05	27.25
5	PKH-CB5002MA05	50.30
6	PKH-CB6002MA05	81.71
8	PKH-CB8002MA05	84.17

Parker 4MA Series



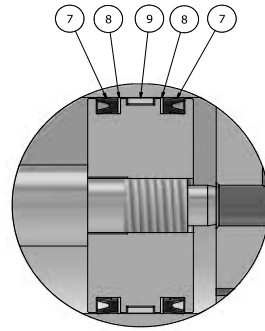
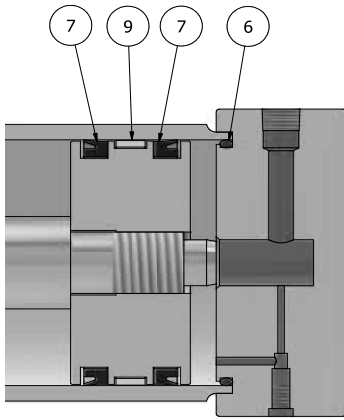
Flurocarbon Rod Kits



Rod Gland Kits (1,2,4,5) Nitrile		
Rod Dia	Sales Part No	List Price
5/8	PKH-RG04MA0061	\$64.19
1	PKH-RG04MA0101	67.30
1-3/8	PKH-RG04MA0131	81.83

Rod Gland Kits (1,2,3,4,5) Fluorocarbon		
Rod Dia	Sales Part No	List Price
5/8	PKH-RG04MA0065	\$83.07
1	PKH-RG04MA0105	81.51
1-3/8	PKH-RG04MA0135	102.12

Rod Glands (1) Bronze		
Rod Dia	Sales Part No	List Price
5/8	PKH-RG04MA-06	\$52.72
1	PKH-RG04MA-10	56.48
1-3/8	PKH-RG04MA-13	94.08



Flurocarbon Piston Kits

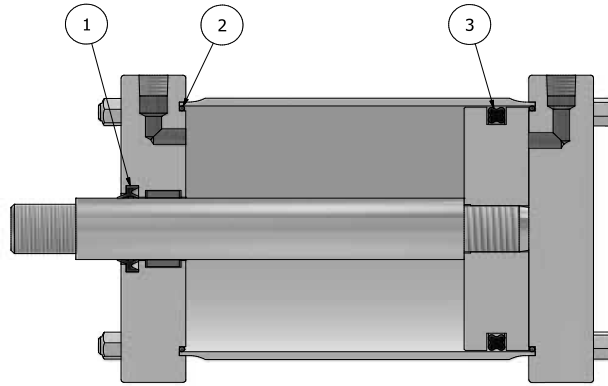
Components	
1	Rod Gland
2	Rod Wiper
3	Rod Seal Back-Up
4	Rod Seal
5	Head Seal
6	End Seal
7	Piston Seal
8	Piston Seal Back-Up
9	Piston Wear Ring

Piston Seal Kits (6,7,9) Nitrile		
Bore Dia	Sales Part No	List Price
1-1/2	PKH-PK1504MA01	\$28.77
2	PKH-PK2004MA01	29.86
2-1/2	PKH-PK2504MA01	32.58
3-1/4	PKH-PK3254MA01	45.81
4	PKH-PK4004MA01	50.70
5	PKH-PK5004MA01	62.08

Piston Seal Kits (6,7,8,9) Fluorocarbon		
Bore Dia	Sales Part No	List Price
1-1/2	PKH-PK1504MA05	\$28.76
2	PKH-PK2004MA05	47.05
2-1/2	PKH-PK2504MA05	40.82
3-1/4	PKH-PK3254MA05	76.54
4	PKH-PK4004MA05	96.80
5	PKH-PK5004MA05	103.67

Parker VP Series

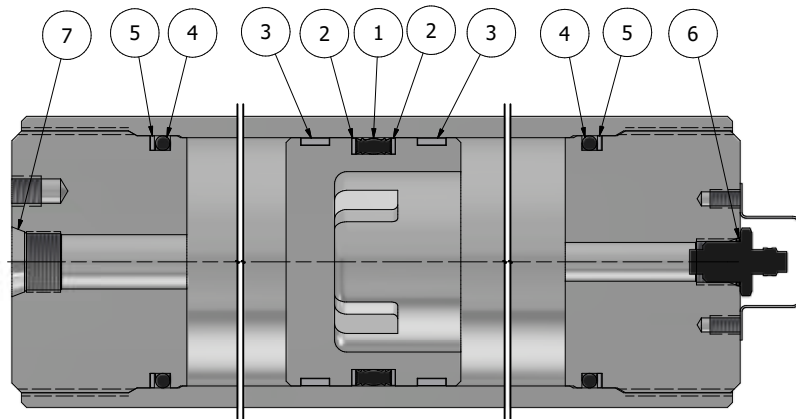
Components	
1	Rod Wiper
2	End Seal
3	Piston Seal



Cast Iron Piston Seal Kits (7,8) Nitrile			
Rod Dia	Bore Dia	Sales Part No	List Price
1	6	PKH-KT060VP101	\$41.30
1	7	PKH-KT070VP101	45.88
1	8	PKH-KT080VP101	69.83
1	10	PKH-KT100VP101	86.76

Parker 2000 Thru 5000 Series Piston Accumulators

Components	
1	Piston Seal
2	Backup Ring
3	Wear Ring
4	O-ring
5	Backup Ring
6	Gas Valve O-ring
7	Port O-ring



2000 Thru 5000 Piston Kits (1,2,3,4,5) Nitrile		
Bore Dia	Sales Part No	List Price
4 (4.03 actual)	PKH-RK0400K000	\$113.76
6 (5.78 actual)	PKH-RK0600K000	310.79
7	PKH-RK0700K000	410.05
9	PKH-RK0900K000	637.92
12 (11.875 actual)	PKH-RK1200K000	1295.09

PARKER - NET PRICE

Sales Part Number	Description	Rod Size	ID	OD	W	Net Price
PKH-069590	Gland Wrench	1/2, 5/8, 12mm, 14mm	11/16	1-1/8	1-3/8	\$51.64
PKH-069591	Gland Wrench	1, 22mm	1-1/16	1-5/8	1-1/2	31.20
PKH-069592	Gland Wrench	1-3/8, 36mm	1-7/16	1-7/8	1-5/8	60.41
PKH-069593	Gland Wrench	1-3/4, 45mm	1-13/16	2-1/4	1-5/8	57.43
PKH-069594	Gland Wrench	2	2-1/16	2-1/2	2	71.32
PKH-069595	Gland Wrench	2-1/2, 56mm	2-9/16	3	2-1/8	112.63
PKH-069596	Gland Wrench	70mm	2-15/16	3-1/2	2-3/8	122.90
PKH-084765	Gland Wrench	18mm	13/16	1-1/4	1-7/16	46.11
PKH-084766	Gland Wrench	28mm	1-1/4	1-11/16	1-9/16	44.11

PARKER - LIST PRICE

Sales Part Number	Rod Size	Bore Size	List Price
PKH-CB025HM001		25 mm	\$13.81
PKH-CB025HM005		25 mm	26.07
PKH-CB032HM001		32 mm	14.24
PKH-CB032HM005		32 mm	26.80
PKH-CB040HM001		40 mm	14.71
PKH-CB040HM005		40 mm	28.05
PKH-CB050HM001		50 mm	15.23
PKH-CB050HM005		50 mm	35.05
PKH-CB063HM001		63 mm	18.24
PKH-CB063HM005		63 mm	35.49
PKH-CB080HM001		80 mm	19.20
PKH-CB080HM005		80 mm	36.26
PKH-CB100HM001		100 mm	21.68
PKH-CB100HM005		100 mm	54.29
PKH-CB102HL001		1	11.12
PKH-CB102HL005		1	15.61
PKH-CB125HM001		125 mm	28.21
PKH-CB125HM005		125 mm	71.12
PKH-CB1502MA01		1-1/2	10.84
PKH-CB1502MA05		1-1/2	11.23
PKH-CB152HL001		1-1/2	11.39
PKH-CB152HL005		1-1/2	15.61
PKH-CB160HM001		160 mm	36.90
PKH-CB160HM005		160 mm	123.61
PKH-CB2002MA01		2	10.84
PKH-CB2002MA05		2	18.69
PKH-CB200HM001		200 mm	47.56
PKH-CB200HM005		200 mm	191.53
PKH-CB202HL001		2	11.97
PKH-CB202HL005		2	26.68
PKH-CB2502MA01		2-1/2	11.16
PKH-CB2502MA05		2-1/2	18.69
PKH-CB252HL001		2-1/2	12.50
PKH-CB252HL005		2-1/2	33.32
PKH-CB3202MA01		3-1/4	15.29
PKH-CB3202MA05		3-1/4	24.79
PKH-CB322HL001		3-1/4	13.21
PKH-CB322HL005		3-1/4	40.52
PKH-CB4002MA01		4	23.98
PKH-CB4002MA05		4	27.25

FORMERLY LISTED REPAIR PARTS ARE AVAILABLE ONLINE AT WWW.HERCULESUS.COM
OR BY CONTACTING YOUR REGIONAL HERCULES SALES TEAM.

PARKER

PARKER

Sales Part Number	Rod Size	Bore Size	List Price
PKH-CB402HL001		4	\$13.79
PKH-CB402HL005		4	50.67
PKH-CB5002MA01		5	31.40
PKH-CB5002MA05		5	50.30
PKH-CB502HL001		5	15.88
PKH-CB502HL005		5	73.15
PKH-CB6002MA01		6	41.77
PKH-CB6002MA05		6	81.71
PKH-CB602HL001		6	18.91
PKH-CB602HL005		6	76.50
PKH-CB702HL001		7	20.37
PKH-CB702HL005		7	109.76
PKH-CB8002MA01		8	51.04
PKH-CB8002MA05		8	84.17
PKH-CB802HL001		8	23.14
PKH-CB802HL005		8	111.69
PKH-CB902HL001		9	28.18
PKH-CB902HL005		9	123.65
PKH-KT060VP101	1	6	41.30
PKH-KT070VP101	1	7	45.88
PKH-KT080VP101	1	8	69.83
PKH-KT100VP101	1	10	86.76
PKH-PF063HM001		63 mm	67.75
PKH-PK1002A001		1	15.62
PKH-PK1002A005		1	59.29
PKH-PK1002AN01		1	32.09
PKH-PK102HLL01		1	23.05
PKH-PK102HLL05		1	80.45
PKH-PK102HLLP1		1	47.04
PKH-PK1502A001		1-1/2	18.35
PKH-PK1502A005		1-1/2	83.54
PKH-PK1502AN01		1-1/2	35.65
PKH-PK1502MA01		1-1/2	40.99
PKH-PK1502MA05		1-1/2	79.87
PKH-PK1502ML01		1-1/2	49.64
PKH-PK1504MA01		1-1/2	28.77
PKH-PK1504MA05		1-1/2	28.76
PKH-PK152HF001		1-1/2	109.78
PKH-PK152HF005		1-1/2	103.16
PKH-PK152HH001		1-1/2	48.96
PKH-PK152HK001		1-1/2	41.53
PKH-PK152HK005		1-1/2	72.04
PKH-PK152HLL01		1-1/2	16.96
PKH-PK152HLL05		1-1/2	83.54
PKH-PK152HLLP1		1-1/2	32.46
PKH-PK152HLLP5		1-1/2	121.26
PKH-PK2002A001		2	21.61
PKH-PK2002A005		2	95.33
PKH-PK2002AN01		2	39.85
PKH-PK2002MA01		2	41.55
PKH-PK2002MA05		2	85.54
PKH-PK2002ML01		2	37.57
PKH-PK2004MA01		2	29.86
PKH-PK2004MA05		2	47.05
PKH-PK202HF001		2	109.34
PKH-PK202HF005		2	123.52
PKH-PK202HH001		2	50.62

PARKER

Sales Part Number	Rod Size	Bore Size	List Price
PKH-PK202HK001		2	\$53.91
PKH-PK202HK005		2	81.55
PKH-PK202HLL01		2	21.61
PKH-PK202HLL05		2	130.24
PKH-PK202HLLP1		2	36.71
PKH-PK202HLLP5		2	137.52
PKH-PK2502A001		2-1/2	25.05
PKH-PK2502A005		2-1/2	133.80
PKH-PK2502AN01		2-1/2	48.64
PKH-PK2502MA01		2-1/2	44.56
PKH-PK2502MA05		2-1/2	113.54
PKH-PK2502ML01		2-1/2	39.34
PKH-PK2504MA01		2-1/2	32.58
PKH-PK2504MA05		2-1/2	40.82
PKH-PK252HF001		2-1/2	116.54
PKH-PK252HF005		2-1/2	134.42
PKH-PK252HH001		2-1/2	65.31
PKH-PK252HK001		2-1/2	51.98
PKH-PK252HK005		2-1/2	87.66
PKH-PK252HLL01		2-1/2	25.05
PKH-PK252HLL05		2-1/2	131.95
PKH-PK252HLLP1		2-1/2	38.54
PKH-PK252HLLP5		2-1/2	145.42
PKH-PK3202A001		3-1/4	31.07
PKH-PK3202A005		3-1/4	156.15
PKH-PK3202AN01		3-1/4	63.52
PKH-PK3202MA01		3-1/4	53.57
PKH-PK3202MA05		3-1/4	140.35
PKH-PK3202ML01		3-1/4	46.87
PKH-PK322HF001		3-1/4	132.14
PKH-PK322HF005		3-1/4	152.76
PKH-PK322HH001		3-1/4	93.85
PKH-PK322HK001		3-1/4	68.63
PKH-PK322HK005		3-1/4	193.07
PKH-PK322HLL01		3-1/4	31.07
PKH-PK322HLL05		3-1/4	142.21
PKH-PK322HLLP1		3-1/4	51.65
PKH-PK322HLLP5		3-1/4	268.28
PKH-PK3254MA01		3-1/4	45.81
PKH-PK3254MA05		3-1/4	76.54
PKH-PK4002A001		4	40.85
PKH-PK4002A005		4	168.31
PKH-PK4002AN01		4	78.63
PKH-PK4002MA01		4	65.67
PKH-PK4002MA05		4	159.00
PKH-PK4002ML01		4	67.18
PKH-PK4004MA01		4	50.70
PKH-PK4004MA05		4	96.80
PKH-PK402HF001		4	138.10
PKH-PK402HF005		4	156.08
PKH-PK402HH001		4	110.94
PKH-PK402HK001		4	59.77
PKH-PK402HK005		4	213.64
PKH-PK402HLL01		4	40.85
PKH-PK402HLL05		4	177.58
PKH-PK402HLLP1		4	60.00
PKH-PK402HLLP5		4	314.60

PARKER

PARKER

PARKER

Sales Part Number	Rod Size	Bore Size	List Price
PKH-PK5002A001		5	\$47.64
PKH-PK5002A005		5	213.61
PKH-PK5002AN01		5	94.37
PKH-PK5002MA01		5	84.97
PKH-PK5002MA05		5	240.59
PKH-PK5002ML01		5	111.40
PKH-PK5004MA01		5	62.08
PKH-PK5004MA05		5	103.67
PKH-PK502HF001		5	181.94
PKH-PK502HF005		5	190.66
PKH-PK502HH001		5	143.90
PKH-PK502HK001		5	67.08
PKH-PK502HK005		5	236.42
PKH-PK502HLL01		5	47.53
PKH-PK502HLL05		5	212.20
PKH-PK502HLLP1		5	98.15
PKH-PK502HLLP5		5	374.07
PKH-PK6002A001		6	61.89
PKH-PK6002A005		6	283.90
PKH-PK6002AN01		6	150.36
PKH-PK6002MA01		6	113.61
PKH-PK6002MA05		6	340.78
PKH-PK6002ML01		6	142.52
PKH-PK602HF001		6	187.86
PKH-PK602HF005		6	247.63
PKH-PK602HH001		6	172.79
PKH-PK602HK001		6	123.06
PKH-PK602HK005		6	368.62
PKH-PK602HLL01		6	61.78
PKH-PK602HLL05		6	283.71
PKH-PK602HLLP1		6	147.65
PKH-PK602HLLP1-OLD		6	136.92
PKH-PK602HLLP5		6	753.99
PKH-PK602HLLP5-OLD		6	535.48
PKH-PK7002A001		7	154.42
PKH-PK7002A005		7	450.00
PKH-PK7002AN01		7	163.35
PKH-PK702HK001		7	271.17
PKH-PK702HK005		7	546.74
PKH-PK702HLL01		7	164.15
PKH-PK702HLL05		7	449.78
PKH-PK703HK001		7	258.95
PKH-PK8002A001		8	179.79
PKH-PK8002A005		8	615.34
PKH-PK8002AN01		8	233.38
PKH-PK8002MA01		8	200.57
PKH-PK8002MA05		8	569.82
PKH-PK8002ML01		8	242.83
PKH-PK802HK001		8	290.42
PKH-PK802HK005		8	779.38
PKH-PK802HLL01		8	179.79
PKH-PK802HLL05		8	615.34
PKH-PK802HLLP1		8	180.12
PKH-PK802HLLP5		8	703.68
PKH-PK9002A001		10	266.27
PKH-PK9002A005		10	781.04
PKH-PK9002AN01		10	348.55

PARKER

Sales Part Number	Rod Size	Bore Size	List Price
PKH-PK902HK001		10	\$544.08
PKH-PK902HK005		10	1116.38
PKH-PK902HLL01		10	320.55
PKH-PK902HLL05		10	961.66
PKH-PK9202A001		12	361.72
PKH-PK9202A005		12	1199.81
PKH-PK9202AN01		12	638.44
PKH-PK922HK001		12	1113.49
PKH-PK922HK005		12	1202.63
PKH-PK922HLL01		12	434.96
PKH-PK922HLL05		12	1199.81
PKH-PK9402A001		14	559.50
PKH-PK9402A005		14	1960.24
PKH-PL040HM005		40 mm	118.61
PKH-PN025HM001		25 mm	29.34
PKH-PN025HM005		25 mm	131.24
PKH-PN032HM001		32 mm	34.46
PKH-PN032HM005		32 mm	169.50
PKH-PN040HM001		40 mm	50.60
PKH-PN040HM005		40 mm	209.44
PKH-PN050HM001		50 mm	55.03
PKH-PN050HM005		50 mm	219.55
PKH-PN063HM001		63 mm	65.95
PKH-PN063HM005		63 mm	283.77
PKH-PN080HM001		80 mm	72.53
PKH-PN080HM005		80 mm	335.07
PKH-PN100HM001		100 mm	96.65
PKH-PN100HM005		100 mm	344.32
PKH-PN125HM001		125 mm	167.16
PKH-PN125HM005		125 mm	383.49
PKH-PN160HM001		160 mm	280.03
PKH-PN160HM005		160 mm	610.39
PKH-PN200HM001		200 mm	294.97
PKH-PN200HM005		200 mm	706.14
PKH-PR102H0001		1	136.11
PKH-PR102H0005		1	136.95
PKH-PR152H0001		1-1/2	76.12
PKH-PR152H0005		1-1/2	88.18
PKH-PR202H0001		2	81.22
PKH-PR202H0005		2	91.41
PKH-PR252H0001		2-1/2	82.14
PKH-PR252H0005		2-1/2	92.67
PKH-PR322H0001		3-1/4	88.82
PKH-PR322H0005		3-1/4	110.41
PKH-PR402H0001		4	91.44
PKH-PR402H0005		4	112.51
PKH-PR502H0001		5	120.43
PKH-PR502H0005		5	159.53
PKH-PR602H0001		6	181.03
PKH-PR602H0005		6	193.07
PKH-PR702H0001		7	202.30
PKH-PR702H0005		7	237.70
PKH-PR802H0001		8	309.18
PKH-PR802H0005		8	329.80
PKH-PR902H0001		10	844.70
PKH-PR902H0005		10	944.68
PKH-PR922H0001		12	1352.80

PARKER

PARKER

PARKER

Sales Part Number	Rod Size	Bore Size	List Price
PKH-PR922H0005		12	\$1578.95
PKH-RG02MA0051	1/2		68.14
PKH-RG02MA0055	1/2		72.60
PKH-RG02MA0061	5/8		45.02
PKH-RG02MA0065	5/8		71.89
PKH-RG02MA0101	1		51.57
PKH-RG02MA0105	1		79.66
PKH-RG02MA0131	1-3/8		77.02
PKH-RG02MA0135	1-3/8		115.15
PKH-RG02MA0171	1-3/4		156.76
PKH-RG02MA0175	1-3/4		175.84
PKH-RG02MA-05	1/2		57.43
PKH-RG02MA-06	5/8		42.33
PKH-RG02MA-10	1		52.97
PKH-RG02MA-13	1-3/8		76.59
PKH-RG02MA-17	1-3/4		120.62
PKH-RG04MA0061	5/8		64.19
PKH-RG04MA0065	5/8		83.07
PKH-RG04MA0101	1		67.30
PKH-RG04MA0105	1		81.51
PKH-RG04MA0131	1-3/8		81.83
PKH-RG04MA0135	1-3/8		102.12
PKH-RG04MA-06	5/8		52.72
PKH-RG04MA-10	1		56.48
PKH-RG04MA-13	1-3/8		94.08
PKH-RG-05	1/2		59.62
PKH-RG-06	5/8		35.92
PKH-RG-10	1		41.72
PKH-RG-13	1-3/8		57.86
PKH-RG-17	1-3/4		70.38
PKH-RG1HDL0061	5/8		92.42
PKH-RG1HDL0065	5/8		112.01
PKH-RG1HDL0101	1		119.00
PKH-RG1HDL0105	1		137.97
PKH-RG1HDL0131	1-3/8		154.53
PKH-RG1HDL0135	1-3/8		187.04
PKH-RG1HDL0171	1-3/4		182.62
PKH-RG1HDL0175	1-3/4		228.17
PKH-RG1HDL0201	2		262.77
PKH-RG1HDL0205	2		309.49
PKH-RG1HDL0251	2-1/2		351.82
PKH-RG1HDL0255	2-1/2		403.61
PKH-RG1HDL0351	3-1/2		436.12
PKH-RG1HDL0355	3-1/2		495.73
PKH-RG-20	2		86.04
PKH-RG-25	2-1/2		121.38
PKH-RG2AHL0051	1/2		108.74
PKH-RG2AHL0051PS	1/2		58.23
PKH-RG2AHL0055	1/2		139.78
PKH-RG2AHL0055PS	1/2		70.89
PKH-RG2AHL0061	5/8		65.67
PKH-RG2AHL0061PS	5/8		63.14
PKH-RG2AHL0065	5/8		107.14
PKH-RG2AHL0065PS	5/8		77.85
PKH-RG2AHL0101	1		80.52
PKH-RG2AHL0101PS	1		78.34
PKH-RG2AHL0105	1		121.26

PARKER

Sales Part Number	Rod Size	Bore Size	List Price
PKH-RG2AHL0105PS	1		\$94.20
PKH-RG2AHL0131	1-3/8		98.18
PKH-RG2AHL0131PS	1-3/8		96.33
PKH-RG2AHL0135	1-3/8		152.34
PKH-RG2AHL0135PS	1-3/8		117.58
PKH-RG2AHL0171	1-3/4		113.70
PKH-RG2AHL0171PS	1-3/4		108.66
PKH-RG2AHL0175	1-3/4		166.36
PKH-RG2AHL0175PS	1-3/4		136.40
PKH-RG2AHL0201	2		141.85
PKH-RG2AHL0201PS	2		136.83
PKH-RG2AHL0205	2		198.01
PKH-RG2AHL0205PS	2		159.05
PKH-RG2AHL0251	2-1/2		193.52
PKH-RG2AHL0251PS	2-1/2		209.97
PKH-RG2AHL0255	2-1/2		257.16
PKH-RG2AHL0255PS	2-1/2		257.52
PKH-RG2AHL0301	3		248.38
PKH-RG2AHL0301PS	3		248.44
PKH-RG2AHL0305	3		292.33
PKH-RG2AHL0305PS	3		283.58
PKH-RG2AHL0351	3-1/2		544.50
PKH-RG2AHL0351PS	3-1/2		518.05
PKH-RG2AHL0355	3-1/2		590.06
PKH-RG2AHL0355PS	3-1/2		522.18
PKH-RG2AHL0401	4		662.20
PKH-RG2AHL0405	4		695.27
PKH-RG2AHL0451	4-1/2		823.91
PKH-RG2AHL0455	4-1/2		830.71
PKH-RG2AHL0501	5		916.67
PKH-RG2AHL0505	5		1037.65
PKH-RG2AHL0551	5-1/2		945.40
PKH-RG2AHL0555	5-1/2		1132.47
PKH-RG2AN00051	1/2		70.71
PKH-RG2AN00061	5/8		73.60
PKH-RG2AN00101	1		82.72
PKH-RG2AN00131	1-3/8		87.99
PKH-RG2AN00171	1-3/4		110.57
PKH-RG2AN00201	2		134.62
PKH-RG2AN00251	2-1/2		220.22
PKH-RG2AN00301	3		334.67
PKH-RG2AN00351	3-1/2		476.03
PKH-RG2AN00401	4		637.61
PKH-RG2AN00501	5		942.45
PKH-RG2AN00551	5-1/2		1055.91
PKH-RG2HLG2061	5/8		53.72
PKH-RG2HLG2065	5/8		78.49
PKH-RG2HLG2101	1		69.24
PKH-RG2HLG2105	1		83.60
PKH-RG2HLG2131	1-3/8		91.65
PKH-RG2HLG2135	1-3/8		120.01
PKH-RG2HLG2171	1-3/4		106.41
PKH-RG2HLG2175	1-3/4		143.13
PKH-RG2HLG2201	2		146.99
PKH-RG2HLG2205	2		183.15
PKH-RG2HLG2251	2-1/2		200.69
PKH-RG2HLG2255	2-1/2		268.19

PARKER

PARKER

PARKER

Sales Part Number	Rod Size	Bore Size	List Price
PKH-RG2HLG2301	3		\$237.76
PKH-RG2HLG2305	3		322.73
PKH-RG2HLG2351	3-1/2		465.97
PKH-RG2HLG2355	3-1/2		557.43
PKH-RG2HLG2401	4		489.91
PKH-RG2HLG2405	4		555.47
PKH-RG2HLG2451	4-1/2		1186.19
PKH-RG2HLTS051	1/2		159.43
PKH-RG2HLTS061	5/8		122.27
PKH-RG2HLTS101	1		138.72
PKH-RG2HLTS131	1-3/8		162.29
PKH-RG2HLTS171	1-3/4		174.17
PKH-RG2HLTS201	2		226.48
PKH-RG2HLTS251	2-1/2		293.91
PKH-RG2HLTS301	3		364.33
PKH-RG2HLTS351	3-1/2		515.51
PKH-RG2HLTS401	4		673.84
PKH-RG2HLTS451	4-1/2		732.92
PKH-RG2HLTS501	5		967.63
PKH-RG2HLTS551	5-1/2		998.57
PKH-RG2HM0121	12 mm		102.83
PKH-RG2HM0125	12 mm		115.14
PKH-RG2HM0141	14 mm		146.24
PKH-RG2HM0145	14 mm		158.34
PKH-RG2HM0181	18 mm		142.63
PKH-RG2HM0185	18 mm		169.12
PKH-RG2HM0221	22 mm		147.22
PKH-RG2HM0225	22 mm		177.26
PKH-RG2HM0281	28 mm		150.67
PKH-RG2HM0285	28 mm		196.30
PKH-RG2HM0361	36 mm		144.32
PKH-RG2HM0365	36 mm		190.59
PKH-RG2HM0451	45 mm		159.87
PKH-RG2HM0455	45 mm		196.42
PKH-RG2HM0561	56 mm		295.45
PKH-RG2HM0565	56 mm		366.15
PKH-RG2HM0701	70 mm		434.33
PKH-RG2HM0705	70 mm		532.34
PKH-RG-30	3		167.79
PKH-RG-35	3-1/2		393.60
PKH-RG-40	4		400.99
PKH-RG-45	4-1/2		576.64
PKH-RG-50	5		668.06
PKH-RG-55	5-1/2		704.58
PKH-RGHD-06	5/8		70.06
PKH-RGHD-10	1		91.96
PKH-RGHD-13	1-3/8		120.87
PKH-RGHD-17	1-3/4		153.01
PKH-RGHD-20	2		225.32
PKH-RGHD-25	2-1/2		277.28
PKH-RGHD-35	3-1/2		340.51
PKH-RGHM-012	12 mm		45.44
PKH-RGHM-014	14 mm		79.40
PKH-RGHM-018	18 mm		85.29
PKH-RGHM-022	22 mm		83.39
PKH-RGHM-028	28 mm		90.47
PKH-RGHM-036	36 mm		87.98

PARKER

Sales Part Number	Rod Size	Bore Size	List Price
PKH-RGHM-045	45 mm		\$83.43
PKH-RGHM-056	56 mm		190.04
PKH-RGHM-070	70 mm		313.83
PKH-RGL6948MA1	5/8		81.90
PKH-RGL6948MA5	5/8		92.89
PKH-RGL6949MA1	1		68.72
PKH-RGL6949MA5	1		88.57
PKH-RGL6950MA1	1-3/8		81.79
PKH-RGL6950MA5	1-3/8		109.41
PKH-RGMA-06	5/8		64.61
PKH-RGMA-10	1		51.13
PKH-RGMA-13	1-3/8		62.24
PKH-RK02MA0051	1/2		21.99
PKH-RK02MA0055	1/2		32.87
PKH-RK02MA0061	5/8		22.67
PKH-RK02MA0065	5/8		33.77
PKH-RK02MA0101	1		23.25
PKH-RK02MA0105	1		34.88
PKH-RK02MA0131	1-3/8		24.88
PKH-RK02MA0135	1-3/8		43.67
PKH-RK02MA0171	1-3/4		26.58
PKH-RK02MA0175	1-3/4		54.92
PKH-RK02ML0061	5/8		29.09
PKH-RK02ML0101	1		30.08
PKH-RK02ML0131	1-3/8		34.12
PKH-RK02ML0171	1-3/4		38.99
PKH-RK1HDL0061	5/8		17.55
PKH-RK1HDL0065	5/8		37.16
PKH-RK1HDL0101	1		20.75
PKH-RK1HDL0105	1		39.70
PKH-RK1HDL0131	1-3/8		25.39
PKH-RK1HDL0135	1-3/8		57.91
PKH-RK1HDL0171	1-3/4		31.26
PKH-RK1HDL0175	1-3/4		64.68
PKH-RK1HDL0201	2		39.32
PKH-RK1HDL0205	2		68.74
PKH-RK1HDL0251	2-1/2		55.53
PKH-RK1HDL0255	2-1/2		107.33
PKH-RK1HDL0351	3-1/2		72.28
PKH-RK1HDL0355	3-1/2		131.91
PKH-RK2AHL0051	1/2		12.60
PKH-RK2AHL0051PS	1/2		17.39
PKH-RK2AHL0055	1/2		52.36
PKH-RK2AHL0055PS	1/2		30.07
PKH-RK2AHL0061	5/8		21.86
PKH-RK2AHL0061PS	5/8		18.33
PKH-RK2AHL0065	5/8		57.56
PKH-RK2AHL0065PS	5/8		33.03
PKH-RK2AHL0101	1		15.80
PKH-RK2AHL0101PS	1		26.11
PKH-RK2AHL0105	1		64.67
PKH-RK2AHL0105PS	1		41.97
PKH-RK2AHL0131	1-3/8		17.34
PKH-RK2AHL0131PS	1-3/8		30.71
PKH-RK2AHL0135	1-3/8		83.73
PKH-RK2AHL0135PS	1-3/8		51.97
PKH-RK2AHL0171	1-3/4		20.07

PARKER

PARKER

PARKER

Sales Part Number	Rod Size	Bore Size	List Price
PKH-RK2AHL0171PS	1-3/4		\$26.40
PKH-RK2AHL0175	1-3/4		87.22
PKH-RK2AHL0175PS	1-3/4		54.13
PKH-RK2AHL0201	2		22.16
PKH-RK2AHL0201PS	2		32.39
PKH-RK2AHL0205	2		90.91
PKH-RK2AHL0205PS	2		54.61
PKH-RK2AHL0251	2-1/2		24.88
PKH-RK2AHL0251PS	2-1/2		49.48
PKH-RK2AHL0255	2-1/2		99.49
PKH-RK2AHL0255PS	2-1/2		97.03
PKH-RK2AHL0301	3		32.25
PKH-RK2AHL0301PS	3		59.71
PKH-RK2AHL0305	3		120.05
PKH-RK2AHL0305PS	3		94.85
PKH-RK2AHL0351	3-1/2		150.92
PKH-RK2AHL0351PS	3-1/2		118.16
PKH-RK2AHL0355	3-1/2		249.04
PKH-RK2AHL0355PS	3-1/2		122.29
PKH-RK2AHL0401	4		187.46
PKH-RK2AHL0405	4		288.56
PKH-RK2AHL0451	4-1/2		219.80
PKH-RK2AHL0455	4-1/2		361.15
PKH-RK2AHL0501	5		273.68
PKH-RK2AHL0505	5		421.98
PKH-RK2AHL0551	5-1/2		305.59
PKH-RK2AHL0555	5-1/2		605.42
PKH-RK2AN00051	1/2		30.78
PKH-RK2AN00061	5/8		32.25
PKH-RK2AN00101	1		37.04
PKH-RK2AN00131	1-3/8		40.89
PKH-RK2AN00171	1-3/4		48.09
PKH-RK2AN00201	2		56.75
PKH-RK2AN00251	2-1/2		82.27
PKH-RK2AN00301	3		135.60
PKH-RK2AN00351	3-1/2		214.45
PKH-RK2AN00401	4		259.66
PKH-RK2AN00501	5		311.57
PKH-RK2AN00551	5-1/2		372.18
PKH-RK2HDG2061	5/8		22.64
PKH-RK2HDG2065	5/8		34.19
PKH-RK2HDG2101	1		20.29
PKH-RK2HDG2105	1		47.85
PKH-RK2HDG2131	1-3/8		27.36
PKH-RK2HDG2135	1-3/8		68.60
PKH-RK2HDG2171	1-3/4		39.45
PKH-RK2HDG2175	1-3/4		75.76
PKH-RK2HDG2201	2		28.36
PKH-RK2HDG2205	2		78.22
PKH-RK2HDG2251	2-1/2		42.09
PKH-RK2HDG2255	2-1/2		114.45
PKH-RK2HDG2301	3		52.83
PKH-RK2HDG2305	3		305.91
PKH-RK2HDG2351	3-1/2		117.87
PKH-RK2HDG2355	3-1/2		157.22
PKH-RK2HDG2401	4		74.19
PKH-RK2HDG2405	4		194.92

PARKER

Sales Part Number	Rod Size	Bore Size	List Price
PKH-RK2HLG2061	5/8		\$15.08
PKH-RK2HLG2065	5/8		39.86
PKH-RK2HLG2101	1		20.64
PKH-RK2HLG2105	1		35.00
PKH-RK2HLG2131	1-3/8		20.79
PKH-RK2HLG2135	1-3/8		49.14
PKH-RK2HLG2171	1-3/4		23.18
PKH-RK2HLG2175	1-3/4		59.89
PKH-RK2HLG2201	2		25.20
PKH-RK2HLG2205	2		61.35
PKH-RK2HLG2251	2-1/2		36.44
PKH-RK2HLG2255	2-1/2		103.94
PKH-RK2HLG2301	3		43.11
PKH-RK2HLG2305	3		128.08
PKH-RK2HLG2351	3-1/2		62.46
PKH-RK2HLG2355	3-1/2		153.92
PKH-RK2HLG2401	4		74.94
PKH-RK2HLG2405	4		140.50
PKH-RK2HLG2451	4-1/2		115.50
PKH-RK2HLTS051	1/2		37.58
PKH-RK2HLTS061	5/8		38.51
PKH-RK2HLTS101	1		45.51
PKH-RK2HLTS131	1-3/8		53.77
PKH-RK2HLTS171	1-3/4		62.47
PKH-RK2HLTS201	2		71.60
PKH-RK2HLTS251	2-1/2		76.58
PKH-RK2HLTS301	3		83.25
PKH-RK2HLTS351	3-1/2		99.76
PKH-RK2HLTS401	4		111.43
PKH-RK2HLTS451	4-1/2		121.69
PKH-RK2HLTS501	5		132.02
PKH-RK2HLTS551	5-1/2		144.94
PKH-RK2HM0121	12 mm		46.69
PKH-RK2HM0125	12 mm		59.09
PKH-RK2HM0141	14 mm		48.10
PKH-RK2HM0145	14 mm		60.24
PKH-RK2HM0181	18 mm		37.25
PKH-RK2HM0185	18 mm		63.71
PKH-RK2HM0221	22 mm		51.81
PKH-RK2HM0225	22 mm		66.50
PKH-RK2HM0281	28 mm		23.40
PKH-RK2HM0285	28 mm		79.91
PKH-RK2HM0361	36 mm		35.59
PKH-RK2HM0365	36 mm		81.86
PKH-RK2HM0451	45 mm		56.82
PKH-RK2HM0455	45 mm		93.25
PKH-RK2HM0561	56 mm		60.66
PKH-RK2HM0565	56 mm		131.36
PKH-RK2HM0701	70 mm		46.58
PKH-RK2HM0705	70 mm		144.56
PKH-RK2HM0901	90 mm		87.50
PKH-RK2HM0905	90 mm		470.47
PKH-RK2HM1101	110 mm		112.96
PKH-RK2HM1105	110 mm		628.82
PKH-RK2HM1401	140 mm		146.61
PKH-RK2HM1405	140 mm		752.93
PKH-SKCHE03201	18 mm	32 mm	104.91

PARKER

PARKER

PARKER

Sales Part Number	Rod Size	Bore Size	List Price
PKH-SKCHE05001	28 mm	50 mm	\$102.24
PKH-SKL7000MA1	5/8	1-1/2	35.76
PKH-SKL7000MA5	5/8	1-1/2	100.68
PKH-SKL7001MA1	5/8	2	36.10
PKH-SKL7001MA5	5/8	2	105.31
PKH-SKL7002MA1	1	2	36.69
PKH-SKL7002MA5	1	2	109.95
PKH-SKL7003MA1	5/8	2-1/2	47.59
PKH-SKL7003MA5	5/8	2-1/2	128.75
PKH-SKL7004MA1	1	2-1/2	39.64
PKH-SKL7004MA5	1	2-1/2	133.40
PKH-SKL7005MA1	1	3-1/4	41.20
PKH-SKL7005MA5	1	3-1/4	141.12
PKH-SKL7006MA1	1-3/8	3-1/4	46.66
PKH-SKL7006MA5	1-3/8	3-1/4	161.02
PKH-SKL7007MA1	1	4	47.59
PKH-SKL7007MA5	1	4	167.39
PKH-SKL7008MA1	1-3/8	4	51.34
PKH-SKL7008MA5	1-3/8	4	187.39
PKH-SKL7009MA1	1	5	58.80
PKH-SKL7009MA5	1	5	204.04
PKH-SKL7010MA1	1-3/8	5	64.30
PKH-SKL7010MA5	1-3/8	5	224.08
PKH-SKL7098MA1	1-3/8	6	69.25
PKH-SKL7098MA5	1-3/8	6	276.49

REXROTH

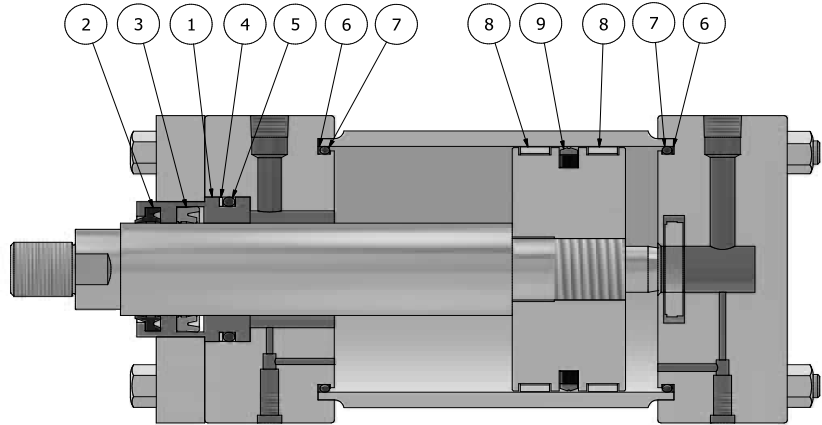
Kit Type		Page
CDT1, CGT1, CDTF,CGT4	Rod Gland Kits	144
	Piston Seal Kits	144
CDT3 & CGT3	CDT3 Seal Kits	145
Various Kits		145

ROYAL

Kit Type		Page
Pneumatic Kits	A Series	146
Pneumatic Kits	M Series	147
Hydraulic Kits	H & S2 Series	148
Repair Kits	By Part Number	149

Rexroth CDT1,CGT1,CDT4,CGT4

Components	
1	Rod Gland
2	Rod Wiper
3	Rod Seal
4	Head Seal Back-Up
5	Head Seal
6	End Seal Back-Up
7	End Seal
8	Wear Ring
9	Piston Seal

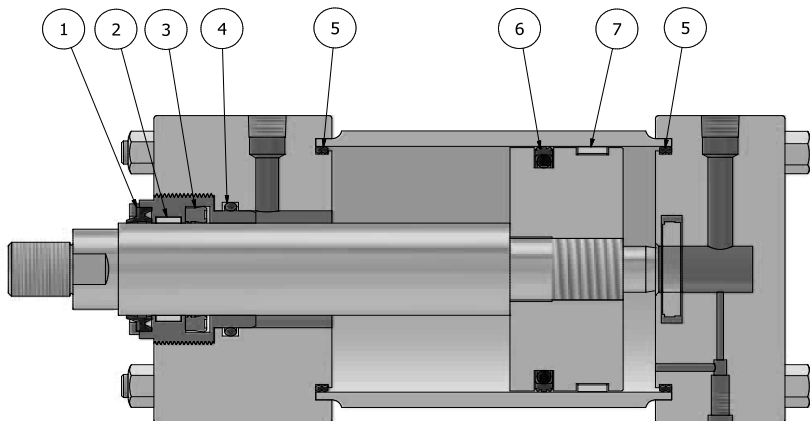


Rod Gland Kits (1,2,3,4,5) CGT1,CGT4 Series double rod cylinders require 2 rod gland kits Urethane			
Bore Dia	Rod Dia	Sales Part No	List Price
	5/8	RRTH-R978006773	\$172.04
1-1/2	1	RRTH-R978006774	185.01
2, 2-1/2	1	RRTH-R978006775	184.86
2	1-3/8	RRTH-R978006776	210.06
2-1/2, 3-1/4	1-3/8	RRTH-R978006777	210.05
	1-3/4	RRTH-R978006778	240.49
	2	RRTH-R978006779	283.11
	2-1/2	RRTH-R978006780	322.64

Piston Seal Kits (6,7,8,9) Urethane		
Bore Dia	Sales Part No	List Price
1-1/2	RRTH-R978006830	\$44.60
2	RRTH-R978006831	54.02
2-1/2	RRTH-R978006832	63.35
3-1/4	RRTH-R978006833	81.80
4	RRTH-R978006834	106.58
5	RRTH-R978006835	137.30

Rexroth CDT3 & CGT3

Components	
1	Rod Wiper
2	Rod Wear Ring*
3	Rod Seal
4	Head Seal
5	End Seal
6	Piston Seal
7	Piston Wear Ring **
8	Stub O-Ring (not pictured)
9	Port O-Ring (not pictured)
*CDT3 2pcs, CGT3 4pcs 40x22, 40x28, and 50 thru 100mm Bore (excluding 70mm Rod).	
** 1pc 25 thru 63mm Bore, 2pcs 80 thru 125mm Bore	



CDT3 Seal Kits (1-9 see component table) Urethane			
Bore Dia	Rod Dia	Sales Part No	List Price
25 mm	12 mm	RRTH-R961008000	\$106.94
25 mm	18 mm	RRTH-R961008001	79.14
32 mm	14 mm	RRTH-R961008002	91.74
32 mm	22 mm	RRTH-R961008003	80.00
40 mm	18 mm	RRTH-R961008004	96.30
40 mm	22 mm	RRTH-R961008005	92.54
40 mm	28 mm	RRTH-R961008006	96.49
50 mm	22 mm	RRTH-R961008007	140.35
50 mm	28 mm	RRTH-R961008008	97.41
50 mm	36 mm	RRTH-R961008009	139.75
63 mm	28 mm	RRTH-R961008010	120.56
63 mm	36 mm	RRTH-R961008011	152.30
63 mm	45 mm	RRTH-R961008012	153.97
80 mm	36 mm	RRTH-R961008013	188.38
80 mm	45 mm	RRTH-R961008014	207.72
80 mm	56 mm	RRTH-R961008015	203.17
100 mm	45 mm	RRTH-R961008016	208.96
100 mm	56 mm	RRTH-R961008017	246.20
100 mm	70 mm	RRTH-R961008018	227.38
125 mm	56 mm	RRTH-R961008019	257.90
125 mm	70 mm	RRTH-R961008020	294.90
125 mm	90 mm	RRTH-R961008021	281.14

CGT3 Seal Kits (1-9 see component table) Urethane			
Bore Dia	Rod Dia	Sales Part No	List Price
25 mm	12 mm	RRTH-R961008078	\$179.42
25 mm	18 mm	RRTH-R961008079	107.58
32 mm	14 mm	RRTH-R961008080	172.83
32 mm	22 mm	RRTH-R961008081	134.43
40 mm	18 mm	RRTH-R961008082	126.75
40 mm	22 mm	RRTH-R961008083	133.70
40 mm	28 mm	RRTH-R961008084	128.11
50 mm	22 mm	RRTH-R961008085	198.23
50 mm	28 mm	RRTH-R961008086	126.31
50 mm	36 mm	RRTH-R961008087	206.56
63 mm	28 mm	RRTH-R961008088	151.73
63 mm	36 mm	RRTH-R961008089	217.45
63 mm	45 mm	RRTH-R961008090	246.45
80 mm	36 mm	RRTH-R961008091	244.78
80 mm	45 mm	RRTH-R961008092	303.86
80 mm	56 mm	RRTH-R961008093	311.27
100 mm	45 mm	RRTH-R961008094	330.29
100 mm	56 mm	RRTH-R961008095	405.73
100 mm	70 mm	RRTH-R961008096	337.10
125 mm	56 mm	RRTH-R961008097	364.17
125 mm	70 mm	RRTH-R961008098	391.26
125 mm	90 mm	RRTH-R961008099	385.29

Various Kits

Kit #	Model	Code	Rod	Bore	List Price
RRTH-1817005842	RRTH-KIT	N-N-10	-	63 mm	\$148.52
RRTH-R900849392	RRTH-KIT	I-UB-10	36 mm	50 mm	52.74

A Series Pneumatic Kits

A Cylinders

Kit Composition Varies
Consult your Hercules® representative.

Kit #	Code	Rod x Bore	List Price
RYL-KA207	N-U-5	3/4" X 2"	\$74.77
RYL-KA210	N-U-5	1" X 2"	74.87
RYL-KA310	I-U-5	1" X 3"	89.71
RYL-KA312	I-U-5	1-1/4" X 3"	90.65
RYL-KA412	I-U-5	1-1/4" X 4"	125.92
RYL-KA415	I-U-5	1-1/2" X 4"	127.05
RYL-KA512	I-U-5	1-1/4" X 5"	152.80
RYL-KA515	I-U-5	1-1/2" X 5"	153.97
RYL-KA615	I-U-5	1-1/2" X 6"	193.73
RYL-KA617	I-U-5	1-3/4" X 6"	194.53
RYL-KA1030	I-U-5	3" X 10"	235.62
RYL-KA1230	I-U-5	3" X 12"	246.75
RYL-KA1235	I-U-5	3-1/2" X 12"	252.51
RYL-KA1506	N-U-5	5/8" X 1-1/2"	13.89

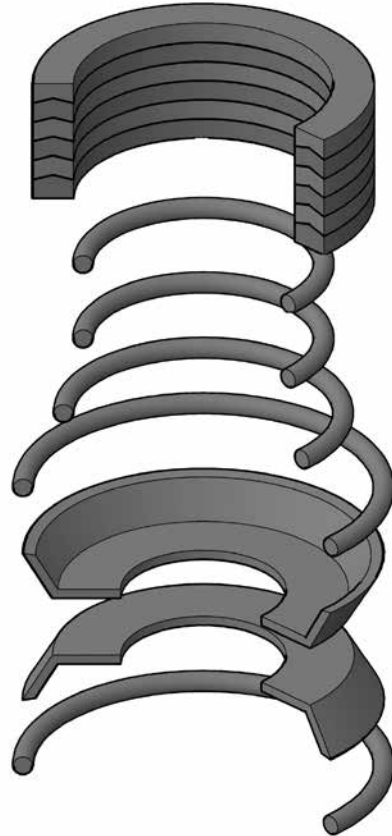
M Series Pneumatic Kits

M Cylinders

Kit #	Code	Rod x Bore	List Price
RYL-KM415	N-V-7	1-1/2" X 4"	\$68.77
RYL-KM620	N-V-7	2" X 6"	105.18
RYL-KM820	N-V-7	2" X 8"	157.03
RYL-KM825	N-V-7	2-1/2" X 8"	160.45
RYL-KM1025	N-V-7	2-1/2" X 10"	208.84
RYL-KM1030	N-V-7	3" X 10"	221.57
RYL-KM1235	N-V-7	3-1/2" X 12"	320.78

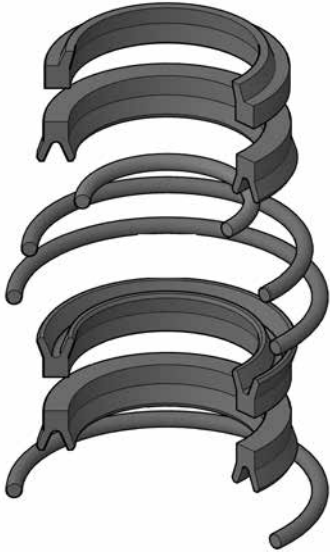
Kit Includes:

- 1 Vee-Set
- 5 NBR O-rings
- 2 NBR Piston Cups



H Series Hydraulic Kits

H Cylinders



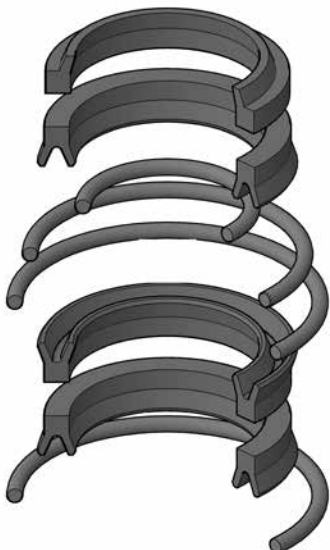
Kit #	Code	Rod x Bore	List Price
RYL-KH1510	I-U-5	1" X 1-1/2"	\$82.45
RYL-KH2510	I-U-5	1" X 2-1/2"	108.53
RYL-KH2517	I-U-5	1-3/4" X 2-1/2"	119.34
RYL-KH3217	I-U-5	1-3/4" X 3-1/4"	159.11
RYL-KH3220	I-U-5	2" X 3-1/4"	161.49
RYL-KH4017	I-U-5	1-3/4" X 4"	168.46
RYL-KH4025	I-U-5	2-1/2" X 4"	190.17
RYL-KH5020	I-U-5	2" X 5"	219.46
RYL-KH6025	I-U-5	2-1/2" X 6"	223.04

Kit Includes:

- 1 URE Wiper
- 3 URE U-seals
- 1 NBR O-ring
- 3 URE O-rings

S2 Series Hydraulic Kits

S2 Cylinders



Kit #	Code	Rod x Bore	List Price
RYL-K2K212	I-U-5	1-1/4" X 2"	\$66.83
RYL-K2K2510	I-U-5	1" X 2-1/2"	81.50
RYL-K2K2512	I-U-5	1-1/4" X 2-1/2"	78.87
RYL-K2K312	I-U-5	1-1/4" X 3"	94.68

Kit Includes:

- 1 URE Wiper
- 3 URE U-seals
- 4 NBR O-rings

ROYAL

Kit Number	Code	Rod x Bore	List Price
RYL-K2K212	I-U-5	1-1/4 X 2	\$66.83
RYL-K2K2510	I-U-5	1 X 2-1/2	81.50
RYL-K2K2512	I-U-5	1-1/4 X 2-1/2	78.87
RYL-K2K312	I-U-5	1-1/4 X 3	94.68
RYL-KA1030	I-U-5	3 X 10	235.62
RYL-KA1230	I-U-5	3 X 12	246.75
RYL-KA1235	I-U-5	3-1/2 X 12	252.51
RYL-KA1506	N-U-5	5/8 X 1-1/2	13.89
RYL-KA207	N-U-5	3/4 X 2	74.77
RYL-KA210	N-U-5	1 X 2	74.87
RYL-KA310	I-U-5	1 X 3	89.71
RYL-KA312	I-U-5	1-1/4 X 3	90.65
RYL-KA412	I-U-5	1-1/4 X 4	125.92
RYL-KA415	I-U-5	1-1/2 X 4	127.05
RYL-KA512	I-U-5	1-1/4 X 5	152.80
RYL-KA515	I-U-5	1-1/2 X 5	153.97
RYL-KA615	I-U-5	1-1/2 X 6	193.73
RYL-KA617	I-U-5	1-3/4 X 6	194.53
RYL-KH1510	I-U-5	1 X 1-1/2	82.45
RYL-KH2510	I-U-5	1 X 2-1/2	108.53
RYL-KH2517	I-U-5	1-3/4 X 2-1/2	119.34
RYL-KH3217	I-U-5	1-3/4 X 3-1/4	159.11
RYL-KH3220	I-U-5	2 X 3-1/4	161.49
RYL-KH4017	I-U-5	1-3/4 X 4	168.46
RYL-KH4025	I-U-5	2-1/2 X 4	190.17
RYL-KH5020	I-U-5	2 X 5	219.46
RYL-KH6025	I-U-5	2-1/2 X 6	223.04
RYL-KM1025	N-V-7	2-1/2 X 10	208.84
RYL-KM1030	N-V-7	3 X 10	221.57
RYL-KM1235	N-V-7	3-1/2 X 12	320.78
RYL-KM415	N-V-7	1-1/2 X 4	68.77
RYL-KM620	N-V-7	2 X 6	105.18
RYL-KM820	N-V-7	2 X 8	157.03
RYL-KM825	N-V-7	2-1/2 X 8	160.45

NOTES

NOTES

SHEFFER

Kit Type		Page
Hydraulic Kits	HH Series	152-153
	MH Series	154-155
Pneumatic Kits	C20 Series	156
	A Series	157
Various Kits		156-157
Repair Kits	By Part Number	158-160

TOMKINS-JOHNSON / TJ

Kit Type		Page
Various Kits		161

VICKERS / EATON

Kit Type		Page
Repair Kits	NZ Series	162-163
	TZ Series	164
	TE/TF Series	165

HH Series

HH Hydraulic Cylinders Standard



Kit Includes:

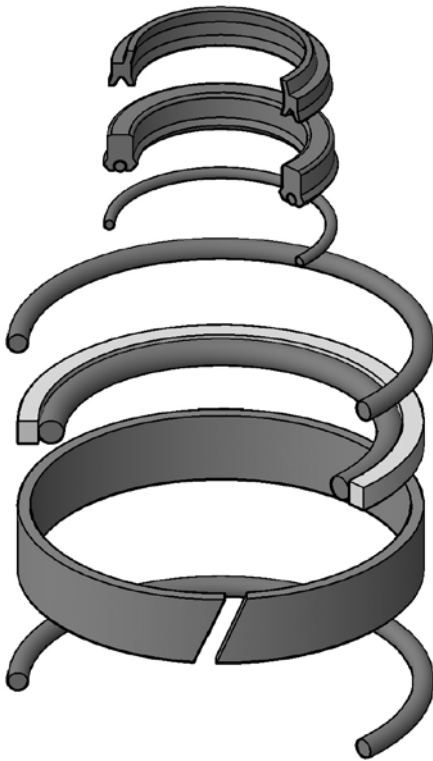
- 1 NBR Rod Wiper
- 1 Urethane Rod Seal
- 1 NBR Gland O-ring
- 1 PTFE Piston seal
- *Piston Wear Strips
- **1 NBR Piston/ Rod O-ring
- 2 NBR Tube End O-rings

Note:

- * Piston Wear Strips:
 - 1 Wear Strip thru 4" bore
 - 2 Wear Strips 5" to 8" bore
 - 3 Wear Strips 10" and 12" bore
 - 4 Wear Strips 14" bore
- ** Where Applicable

Rod x Bore	(NBR) Kit #	List Price
5/8" X 1-1/8"	SHF-761-01-0112-0062	\$41.94
5/8" X 1-1/2"	SHF-761-01-0150-0062	48.65
1" X 1-1/2"	SHF-761-01-0150-0100	51.17
1" X 1-1/2"	SHF-761-01-0200-0100	54.13
1-3/8" X 2"	SHF-761-01-0200-0137	62.05
1-3/8" X 2-1/2"	SHF-761-01-0250-0137	63.16
1-3/4" X 2-1/2"	SHF-761-01-0250-0175	65.44
1-3/8" X 3-1/4"	SHF-761-01-0325-0137	70.00
1-3/4" X 3-1/4"	SHF-761-01-0325-0175	72.59
2" X 3-1/4"	SHF-761-01-0325-0200	73.40
2" X 4"	SHF-761-01-0400-0200	75.20
2-1/2" X 4"	SHF-761-01-0400-0250	79.37
2-1/2" X 5"	SHF-761-01-0500-0250	90.04
3-1/2" X 5"	SHF-761-01-0500-0350	96.14
3" X 6"	SHF-761-01-0600-0300	114.92
4" X 6"	SHF-761-01-0600-0400	122.72
4" X 7"	SHF-761-01-0700-0400	130.57
5" X 7"	SHF-761-01-0700-0500	167.03
3-1/2" X 8"	SHF-761-01-0800-0350	226.87
4" X 8"	SHF-761-01-0800-0400	230.22
5-1/2" X 8"	SHF-761-01-0800-0550	247.20
4-1/2" X 10"	SHF-761-01-1000-0450	289.27
7" X 10"	SHF-761-01-1000-0700	513.11
5-1/2" X 12"	SHF-761-01-1200-0550	624.06
7" X 14"	SHF-761-01-1400-0700	637.84

HH Hydraulic Cylinders Fluorocarbon



Kit Includes:

- 1 FKM Rod Wiper
- 1 FKM Rod Seal
- 1 FKM Gland O-ring
- 1 PTFE Piston seal
- *Piston Wear Strips
- **1 FKM Piston/ Rod O-ring
- 2 FKM Tube End O-rings

Note:

- * Piston Wear Strips:
 - 1 Wear Strip thru 4" bore
 - 2 Wear Strips 5" to 8" bore
 - 3 Wear Strips 10" and 12" bore
 - 4 Wear Strips 14" bore
- ** Where Applicable

Rod x Bore	(FKM) Kit #	List Price
5/8" X 1-1/8"	SHF-761-21-0112-0062	\$63.88
5/8" X 1-1/2"	SHF-761-21-0150-0062	69.61
1" X 1-1/2"	SHF-761-21-0150-0100	77.72
1" X 1-1/2"	SHF-761-21-0200-0100	81.50
1-3/8" X 2"	SHF-761-21-0200-0137	94.65
1-3/8" X 2-1/2"	SHF-761-21-0250-0137	95.85
1-3/4" X 2-1/2"	SHF-761-21-0250-0175	104.28
1-3/8" X 3-1/4"	SHF-761-21-0325-0137	110.30
1-3/4" X 3-1/4"	SHF-761-21-0325-0175	118.41
2" X 3-1/4"	SHF-761-21-0325-0200	123.30
2" X 4"	SHF-761-21-0400-0200	157.27
2-1/2" X 4"	SHF-761-21-0400-0250	175.02
2-1/2" X 5"	SHF-761-21-0500-0250	178.80
3-1/2" X 5"	SHF-761-21-0500-0350	189.11
3" X 6"	SHF-761-21-0600-0300	242.55
4" X 6"	SHF-761-21-0600-0400	296.37
4" X 7"	SHF-761-21-0700-0400	301.54
5" X 7"	SHF-761-21-0700-0500	403.87
3-1/2" X 8"	SHF-761-21-0800-0350	441.89
4" X 8"	SHF-761-21-0800-0400	461.84
5-1/2" X 8"	SHF-761-21-0800-0550	487.24
4-1/2" X 10"	SHF-761-21-1000-0450	600.29
7" X 10"	SHF-761-21-1000-0700	1024.07
7" X 14"	SHF-761-21-1400-0700	1281.10

MH Series

MH Hydraulic Cylinders Standard

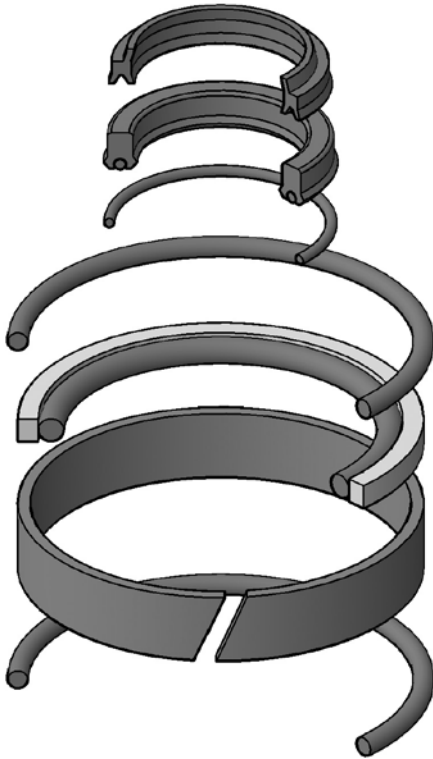


Kit Includes:

- 1 Urethane Rod Wiper
- 1 Urethane Rod Seal
- 1 NBR Gland O-ring
- 1 PTFE Piston seal
- Piston Wear Strip
- 1 NBR Piston/ Rod O-ring
- 2 NBR Tube End O-rings

Rod x Bore	(NBR) Kit #	List Price
5/8" X 1-1/8"	SHF-757-01-0112-0062	\$27.39
5/8" X 1-1/2"	SHF-757-01-0150-0062	45.89
5/8" X 2"	SHF-757-01-0200-0062	49.73
5/8" X 2-1/2"	SHF-757-01-0250-0062	54.42
1" X 1-1/2"	SHF-757-01-0150-0100	48.25
1" X 2"	SHF-757-01-0200-0100	50.41
1" X 2-1/2"	SHF-757-01-0250-0100	55.80
1" X 3-1/4"	SHF-757-01-0325-0100	64.16
1" X 4"	SHF-757-01-0400-0100	70.47
1" X 5"	SHF-757-01-0500-0100	78.07
1-3/4" X 2-1/2"	SHF-757-01-0250-0175	59.99
1-3/4" X 3-1/4"	SHF-757-01-0325-0175	68.75
1-3/4" X 4"	SHF-757-01-0400-0175	73.43
1-3/4" X 5"	SHF-757-01-0500-0175	81.36
1-3/4" X 6"	SHF-757-01-0600-0175	96.75
1-3/8" X 2"	SHF-757-01-0200-0137	53.41
1-3/8" X 2-1/2"	SHF-757-01-0250-0137	58.51
1-3/8" X 3-1/4"	SHF-757-01-0325-0137	68.55
1-3/8" X 4"	SHF-757-01-0400-0137	72.27
1-3/8" X 5"	SHF-757-01-0500-0137	80.16
1-3/8" X 6"	SHF-757-01-0600-0138	94.76
2" X 3-1/4"	SHF-757-01-0325-0200	70.23
2" X 4"	SHF-757-01-0400-0200	74.23
2" X 5"	SHF-757-01-0500-0200	82.75
2" X 6"	SHF-757-01-0600-0200	98.02
2-1/2" X 4"	SHF-757-01-0400-0250	76.90
3" X 5"	SHF-757-01-0500-0300	86.04
3" X 6"	SHF-757-01-0600-0300	100.02
3-1/2" X 5"	SHF-757-01-0500-0350	89.36
3-1/2" X 6"	SHF-757-01-0600-0350	102.12
4" X 6"	SHF-757-01-0600-0400	104.25

MH Hydraulic Cylinders Fluorocarbon



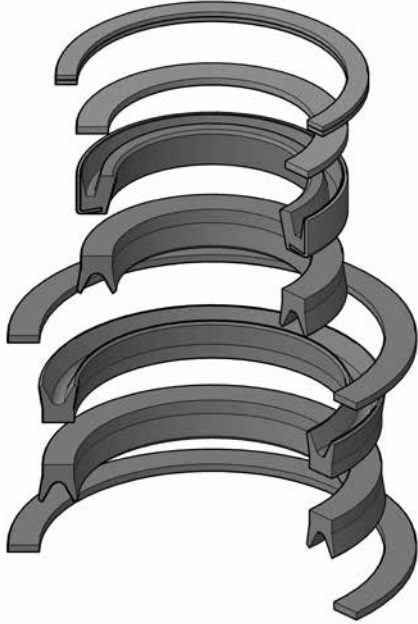
Kit Includes:

- 1 Urethane Rod Wiper
- 1 Urethane Rod Seal
- 1 NBR Gland O-ring
- 1 PTFE Piston seal
- Piston Wear Strip
- 1 NBR Piston/ Rod O-ring
- 2 NBR Tube End O-rings

Rod x Bore	(FKM) Kit #	List Price
5/8" X 1-1/8"	SHF-757-21-0112-0062	\$60.50
5/8" X 1-1/2"	SHF-757-21-0150-0062	62.08
5/8" X 2"	SHF-757-21-0200-0062	64.49
5/8" X 2-1/2"	SHF-757-21-0250-0062	75.62
1" X 1-1/2"	SHF-757-21-0150-0100	63.52
1" X 2"	SHF-757-21-0200-0100	67.39
1" X 2-1/2"	SHF-757-21-0250-0100	77.41
1" X 3-1/4"	SHF-757-21-0325-0100	91.86
1" X 4"	SHF-757-21-0400-0100	102.95
1" X 5"	SHF-757-21-0500-0100	113.89
1-3/4" X 2-1/2"	SHF-757-21-0250-0175	90.04
1-3/4" X 3-1/4"	SHF-757-21-0325-0175	97.47
1-3/4" X 4"	SHF-757-21-0400-0175	107.30
1-3/4" X 5"	SHF-757-21-0500-0175	120.57
1-3/4" X 6"	SHF-757-21-0600-0175	179.19
1-3/8" X 2"	SHF-757-21-0200-0137	74.85
1-3/8" X 2-1/2"	SHF-757-21-0250-0137	86.97
1-3/8" X 3-1/4"	SHF-757-21-0325-0137	94.40
1-3/8" X 4"	SHF-757-21-0400-0137	104.22
1-3/8" X 5"	SHF-757-21-0500-0137	115.98
1-3/8" X 6"	SHF-757-21-0600-0138	174.04
2" X 3-1/4"	SHF-757-21-0325-0200	101.52
2" X 4"	SHF-757-21-0400-0200	110.02
2" X 5"	SHF-757-21-0500-0200	123.99
2" X 6"	SHF-757-21-0600-0200	183.79
2-1/2" X 4"	SHF-757-21-0400-0250	112.32
3" X 5"	SHF-757-21-0500-0300	143.49
3" X 6"	SHF-757-21-0600-0300	211.38
3-1/2" X 5"	SHF-757-21-0500-0350	157.41
3-1/2" X 6"	SHF-757-21-0600-0350	234.24
4" X 6"	SHF-757-21-0600-0400	252.09

C20 Series

Pneumatic Kits



Kit #	Code	Rod x Bore	List Price
SHF-720-00150	P-U-5	1/2" X 1-1/2"	\$27.25
SHF-720-00200	P-U-5	1/2" X 2"	28.95
SHF-720-00250	P-U-5	5/8" X 2-1/2"	30.08
SHF-720-00300	P-U-5	3/4" X 3"	30.74
SHF-720-00350	P-U-5	3/4" X 3-1/2"	32.93
SHF-720-00400	P-U-5	1" X 4"	34.21
SHF-720-00500	P-U-5	1" X 5"	38.68
SHF-720-00600	P-U-5	1" X 6"	47.58
SHF-720-00700	P-U-5	1-3/8" X 7"	65.38
SHF-720-00800	P-U-5	1-3/8" X 8"	99.65

Kit Includes:

- 1 Metal-Clad Wiper
- 3 NBR U-seals
- 1 Steel Washer
- 2 Gaskets
- 1 Spiral Retainer Ring

(8" Bore also Includes:
4 NBR O-rings
2 NBR Cushion Seals)

Various Kits

Kit #	Code	Rod x Bore	List Price
SHF-720-01-0300	P-U-5	3/4" X 3"	\$39.61
SHF-720-01-0400	P-U-5	1" X 4"	53.17
SHF-720-01-0500	P-U-5	1" X 5"	60.63
SHF-720-01-0800	P-U-5	1-3/8" X 8"	127.37
SHF-726-0267-1000-0175	I-U-5	1-3/4" X 10"	190.73
SHF-760-01-0200-0137	I-U-10	1-3/8" X 2"	153.49
SHF-760-01-0250-0175	I-U-10	1-3/4" X 2-1/2"	55.93
SHF-761-01-0200-0137	I-U-10	1-3/8" x 2"	62.05
SHF-761-01-0250-0175	I-U-10	1-3/4" X 2-1/2"	65.44

Kit Composition Varies

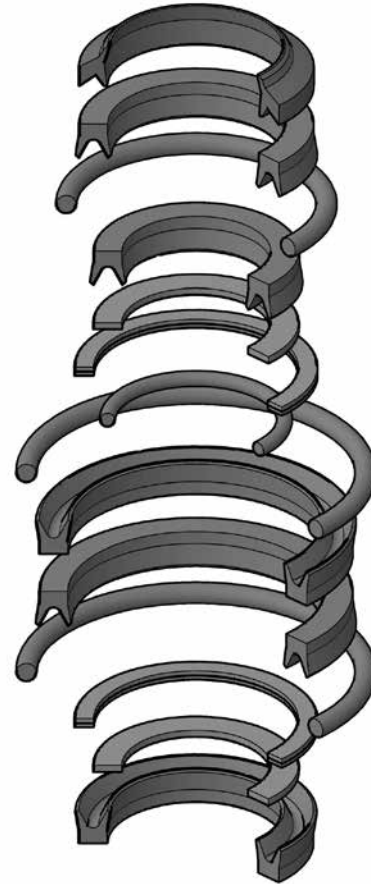
Consult your
Hercules® Sealing Products representative.

Pneumatic Kits

Kit #	Code	Rod x Bore	List Price
SHF-726-0167-0200-0062	I-U-5	5/8" X 2"	\$23.61
SHF-726-0167-0250-0062	I-U-5	5/8" X 2-1/2"	25.18
SHF-726-0167-0250-0100	I-U-5	1" X 2-1/2"	35.62
SHF-726-0167-0250-0137	I-U-5	1-3/8" X 2-1/2"	39.15
SHF-726-0167-0325-0100	I-U-5	1" X 3-1/4"	35.49
SHF-726-0167-0325-0137	I-U-5	1-3/8" X 3-1/4"	42.77
SHF-726-0167-0325-0175	I-U-5	1-3/4" X 3-1/4"	42.04
SHF-726-0167-0400-0100	I-U-5	1 X 4"	44.38
SHF-726-0167-0400-0137	I-U-5	1-3/8" X 4"	38.93
SHF-726-0167-0400-0175	I-U-5	1-3/4" X 4"	41.90
SHF-726-0167-0500-0100	I-U-5	1 X 5"	62.69
SHF-726-0167-0500-0137	I-U-5	1-3/8" X 5"	44.37
SHF-726-0167-0500-0175	I-U-5	1-3/4" X 5"	45.79
SHF-726-0167-0600-0137	I-U-5	1-3/8" X 6"	68.75
SHF-726-0167-0600-0175	I-U-5	1-3/4" X 6"	73.05
SHF-726-0167-0700-0137	I-U-5	1-3/8" X 7"	74.46
SHF-726-0167-0800-0137	I-U-5	1-3/8" X 8"	85.14
SHF-726-0167-0800-0175	I-U-5	1-3/4" X 8"	99.12
SHF-726-0167-1000-0175	I-U-5	1-3/4" X 10"	148.78

Kit Includes:

- 1 URE Wiper
- 5 NBR U-seals
- 4 NBR O-rings
- 2 Steel Washers
- 2 Spiral Retainer Rings



Various Kits

Kit #	Code	Rod x Bore	List Price
SHF-720-01-0600	P-U-4	1" X 6"	\$52.81
SHF-726-0107-0200-0100	I-U-5	1" X 2"	22.90
SHF-729-0200-K019	P-U-5	1-1/4" X 2"	51.15
SHF-729-0500-K003	P-U-5	2" X 5" Double Rod	86.44
SHF-757-01-0325-0137	I-U-10	1-3/8" X 3-1/4"	68.55
SHF-759-0100-0325-0137	I-U-5	1-3/8" X 3-1/4"	69.67
SHF-760-0100-0400-0175	I-U-10	1-3/4" X 4"	78.59
SHF-760-22-0600-0250	I-U-1	2-1/2" x 6"	170.04
SHF-761-01-0800-0350	I-U-10	3-1/2" X 8	226.87
SHF-795-S003	I-U-10	1-1/4 X 2-3/4	81.66

Kit Composition Varies

Consult your
Hercules® Sealing Products representative.

SHEFFER

SHEFFER

Kit Number	Code	Rod x Bore	List Price
SHF-100-032	O-Ring	Min Pack 20	\$0.42
SHF-100-041	O-Ring	Min Pack 20	0.80
SHF-100-149	O-Ring	Min Pack 20	0.68
SHF-157-0175-0137-031	U-Seal	1-3/8 X 1-3/4 X 5/16	15.37
SHF-185-301-0325	Piston Seal	3.25 X 0.115	8.74
SHF-6SHA179SK	I-U-10	2 X 6	61.87
SHF-720-00150	P-U-5	1/2 X 1-1/2	27.25
SHF-720-00200	P-U-5	1/2 X 2	28.95
SHF-720-00250	P-U-5	5/8 X 2-1/2	30.08
SHF-720-00300	P-U-5	3/4 X 3	30.74
SHF-720-00350	P-U-5	3/4 X 3-1/2	32.93
SHF-720-00400	P-U-5	1 X 4	34.21
SHF-720-00500	P-U-5	1 X 5	38.68
SHF-720-00600	P-U-5	1 X 6	47.58
SHF-720-00700	P-U-5	1-3/8 X 7	65.38
SHF-720-00800	P-U-5	1-3/8 X 8	99.65
SHF-720-01-0300	P-U-5	3/4 X 3	39.61
SHF-720-01-0350	P-U-5	3/4 X 3-1/2	41.31
SHF-720-01-0400	P-U-5	1 X 4	53.17
SHF-720-01-0500	P-U-5	1 X 5	60.63
SHF-720-01-0600	P-U-4	1 X 6	52.81
SHF-720-01-0800	P-U-5	1-3/8 X 8	127.37
SHF-726-0107-0200-0100	I-U-5	1 X 2	22.90
SHF-726-0167-0200-0062	I-U-5	5/8 X 2	23.61
SHF-726-0167-0250-0062	I-U-5	5/8 X 2-1/2	25.18
SHF-726-0167-0250-0100	I-U-5	1 X 2-1/2	35.62
SHF-726-0167-0250-0137	I-U-5	1-3/8 X 2-1/2	39.15
SHF-726-0167-0325-0100	I-U-5	1 X 3-1/4	35.49
SHF-726-0167-0325-0137	I-U-5	1-3/8 X 3-1/4	42.77
SHF-726-0167-0325-0175	I-U-5	1-3/4 X 3-1/4	42.04
SHF-726-0167-0400-0100	I-U-5	1 X 4	44.38
SHF-726-0167-0400-0137	I-U-5	1-3/8 X 4	38.93
SHF-726-0167-0400-0175	I-U-5	1-3/4 X 4	41.90
SHF-726-0167-0500-0100	I-U-5	1 X 5	62.69
SHF-726-0167-0500-0137	I-U-5	1-3/8 X 5	44.37
SHF-726-0167-0500-0175	I-U-5	1-3/4 X 5	45.79
SHF-726-0167-0600-0137	I-U-5	1-3/8 X 6	68.75
SHF-726-0167-0600-0175	I-U-5	1-3/4 X 6	73.05
SHF-726-0167-0700-0137	I-U-5	1-3/8 X 7	74.46
SHF-726-0167-0800-0137	I-U-5	1-3/8 X 8	85.14
SHF-726-0167-0800-0175	I-U-5	1-3/4 X 8	99.12
SHF-726-0167-1000-0175	I-U-5	1-3/4 X 10	148.78
SHF-726-0267-1000-0175	I-U-5	1-3/4 X 10	190.73
SHF-729-0200-K019	P-U-5	1-1/4 X 2	51.15
SHF-729-0500-K003	P-U-5	2 X 5 Double Rod	86.44
SHF-757-01-0112-0062	I-U-10	5/8 X 1-1/8	27.39
SHF-757-01-0150-0062	I-U-10	5/8 X 1-1/2	45.89
SHF-757-01-0150-0100	I-U-10	1 X 1-1/2	48.25
SHF-757-01-0200-0062	I-U-10	5/8 X 2	49.73
SHF-757-01-0200-0100	I-U-10	1 X 2	50.41
SHF-757-01-0200-0137	I-U-10	1-3/8 X 2	53.41
SHF-757-01-0250-0062	I-U-10	5/8 X 2-1/2	54.42
SHF-757-01-0250-0100	I-U-10	1 X 2-1/2	55.80
SHF-757-01-0250-0137	I-U-10	1-3/8 X 2-1/2	58.51
SHF-757-01-0250-0175	I-U-10	1-3/4 X 2-1/2	59.99
SHF-757-01-0325-0100	I-U-10	1 X 3-1/4	64.16

SHEFFER

Kit Number	Code	Rod x Bore	List Price
SHF-757-01-0325-0137	I-U-10	1-3/8 X 3-1/4	\$68.55
SHF-757-01-0325-0175	I-U-10	1-3/4 X 3-1/4	68.75
SHF-757-01-0325-0200	I-U-10	2 X 3-1/4	70.23
SHF-757-01-0400-0100	I-U-10	1 X 4	70.47
SHF-757-01-0400-0137	I-U-10	1-3/8 X 4	72.27
SHF-757-01-0400-0175	I-U-10	1-3/4 X 4	73.43
SHF-757-01-0400-0200	I-U-10	2 X 4	74.23
SHF-757-01-0400-0250	I-U-10	2-1/2 X 4	76.90
SHF-757-01-0500-0100	I-U-10	1 X 5	78.07
SHF-757-01-0500-0137	I-U-10	1.370 X 5	80.16
SHF-757-01-0500-0175	I-U-10	1-3/4 X 5	81.36
SHF-757-01-0500-0200	I-U-10	2 X 5	82.75
SHF-757-01-0500-0300	I-U-10	3 X 5	86.04
SHF-757-01-0500-0350	I-U-10	3-1/2 X 5	89.36
SHF-757-01-0600-0138	I-U-10	1.370 X 6	94.76
SHF-757-01-0600-0175	I-U-10	1-3/4 X 6	96.75
SHF-757-01-0600-0200	I-U-10	2 X 6	98.02
SHF-757-01-0600-0300	I-U-10	3 X 6	100.02
SHF-757-01-0600-0350	I-U-10	3-1/2 X 6	102.12
SHF-757-01-0600-0400	I-U-10	4 X 6	104.25
SHF-757-21-0112-0062	I-U-10	5/8 X 1-1/8	60.50
SHF-757-21-0150-0062	I-U-10	5/8 X 1-1/2	62.08
SHF-757-21-0150-0100	I-U-10	1 X 1-1/2	63.52
SHF-757-21-0200-0062	I-U-10	5/8 X 2	64.49
SHF-757-21-0200-0100	I-U-10	1 X 2	67.39
SHF-757-21-0200-0137	I-U-10	1.370 X 2	74.85
SHF-757-21-0250-0062	I-U-10	5/8 X 2-1/2	75.62
SHF-757-21-0250-0100	I-U-10	1 X 2-1/2	77.41
SHF-757-21-0250-0137	I-U-10	1-3/8 X 2-1/2	86.97
SHF-757-21-0250-0175	I-U-10	1-3/4 X 2-1/2	90.04
SHF-757-21-0325-0100	I-U-10	1 X 3-1/4	91.86
SHF-757-21-0325-0137	I-U-10	1-3/8 X 3-1/4	94.40
SHF-757-21-0325-0175	I-U-10	1-3/4 X 3-1/4	97.47
SHF-757-21-0325-0200	I-U-10	2 X 3-1/4	101.52
SHF-757-21-0400-0100	I-U-10	1 X 4	102.95
SHF-757-21-0400-0137	I-U-10	1.370 X 4	104.22
SHF-757-21-0400-0175	I-U-10	1-3/4 X 4	107.30
SHF-757-21-0400-0200	I-U-10	2 X 4	110.02
SHF-757-21-0400-0250	I-U-10	2-1/2 X 4	112.32
SHF-757-21-0500-0100	I-U-10	1 X 5	113.89
SHF-757-21-0500-0137	I-U-10	1.370 X 5	115.98
SHF-757-21-0500-0175	I-U-10	1.370 X 5	120.57
SHF-757-21-0500-0200	I-U-10	2 X 5	123.99
SHF-757-21-0500-0300	I-U-10	3 X 5	143.49
SHF-757-21-0500-0350	I-U-10	3-1/2 X 5	157.41
SHF-757-21-0600-0138	I-U-10	1-3/8 X 6	174.04
SHF-757-21-0600-0175	I-U-10	1-3/4 X 6	179.19
SHF-757-21-0600-0200	I-U-10	2 X 6	183.79
SHF-757-21-0600-0300	I-U-10	3 X 6	211.38
SHF-757-21-0600-0350	I-U-10	3-1/2 X 6	234.24
SHF-757-21-0600-0400	I-U-10	4 X 6	252.09
SHF-759-0100-0325-0137	I-U-5	1-3/8 X 3-1/4	69.67
SHF-760-0100-0400-0175	I-U-10	1-3/4 X 4	78.59
SHF-760-01-0200-0137	I-U-10	1-3/8 X 2	153.49
SHF-760-01-0250-0175	I-U-10	1-3/4 X 2-1/2	55.93
SHF-760-22-0600-0250	I-U-1	2-1/2 x 6	170.04

SHEFFER

Kit Number	Code	Rod x Bore	List Price
SHF-761-01-0200-0137	I-U-10	1-3/8 X 2	\$62.05
SHF-761-01-0250-0175	I-U-10	1-3/4 X 2-1/2	65.44
SHF-761-01-0700-0400	I-U-10	4 X 7	130.57
SHF-761-01-0800-0350	I-U-10	3-1/2 X 8	226.87
SHF-795-S003	I-U-10	1-1/4 X 2-3/4	81.66

Various Kits

Kit #	Code	Rod x Bore	List Price
TJ-28136862	N-TR-11	1 X 5	\$61.73
TJ-6331U-027	N-U-10	1-1/4 X 4	98.26
TJ-6332U-014	N-U-5	1 X 2-1/2	31.15
TJ-6332U-026	N-U-5	1 X 4	39.79
TJ-6332U-028	N-V-5	1-3/8 X 4	37.21
TJ-6332U-030	N-U-5	1-3/4 X 4	44.36
TJ-6332U-035	N-U-5	1 X 5	41.88
TJ-6332U-048	N-V-5	1-3/4 X 6	61.12
TJ-6332U-069	N-V-5	1-3/8 X 8	62.52
TJ-6332U-070	N-V-5	1-3/4 X 8	68.75

Kit Composition Varies

Consult your
Hercules® Sealing Products representative.

NZ Series

Kits For NZ Cylinders

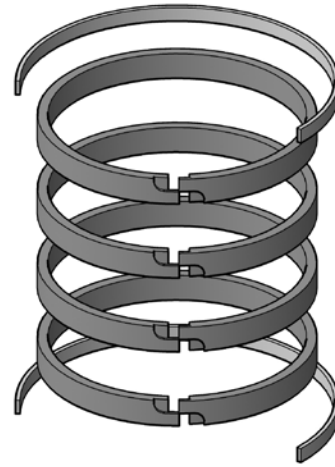
Rod Kits



Kit Includes:

- 1 NBR Wiper
- 1 Urethane Rod Seal
- 1 Wear Strip
- 1 Gland Seal
- 1 Backup Ring

Iron Ring Piston Kits



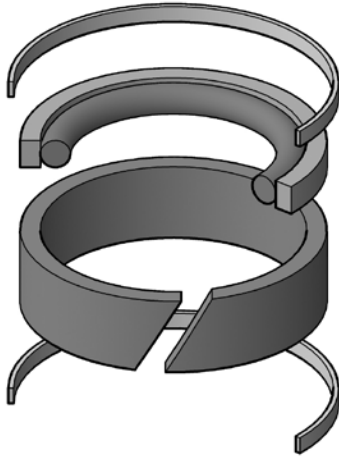
Kit Includes:

- 4 Iron Piston Rings
- 2 Tube End Seals

Rod Dia.	Kit #	List Price	Bore Dia.	Kit #	List Price
5/8"	VI-6533N-NZC	\$46.11	1-1/2"	VI-6633C-NZC	\$89.79
1"	VI-6533N-NZE	41.55	2"	VI-6633C-NZD	85.43
1-3/8"	VI-6533N-NZH	23.40	2-1/2"	VI-6633C-NZE	82.73
1-3/4"	VI-6533N-NZL	34.79	3-1/4"	VI-6633C-NZG	116.75
2"	VI-6533N-NZM	33.22	4"	VI-6633C-NZH	93.60
2-1/2"	VI-6533N-NZP	43.52	5"	VI-6633C-NZK	118.09
3"	VI-6533N-NZU	49.47	6"	VI-6633C-NZL	149.11
3-1/2"	VI-6533N-NZV	73.18			
4"	VI-6533N-NZW	118.94			

Kits For NZ Cylinders

Piston Kits



Kit Includes:

- 1 PTFE Piston Seal
- 1 Wear Strip
- 2 Tube End Seals

Low Friction Piston Kits



Kit Includes:

- 1 PTFE Piston Seal
- 1 Wear Strip
- 2 Tube End Seals

Bore Dia.	Kit #	List Price	Bore Dia.	Kit #	List Price
1-1/2"	VI-6633N-NZC	\$60.10	1-1/2"	VI-6633L-NZC	\$60.10
2"	VI-6633N-NZD	39.56	2"	VI-6633L-NZD	39.56
2-1/2"	VI-6633N-NZE	54.73	2-1/2"	VI-6633L-NZE	54.73
3-1/4"	VI-6633N-NZG	57.13	3-1/4"	VI-6633L-NZG	57.13
4"	VI-6633N-NZH	57.36	4"	VI-6633L-NZH	57.36
5"	VI-6633N-NZK	123.83	5"	VI-6633L-NZK	123.83
6"	VI-6633N-NZL	130.41	6"	VI-6633L-NZL	130.41

TZ Series

Urethane Kits For TZ Cylinders

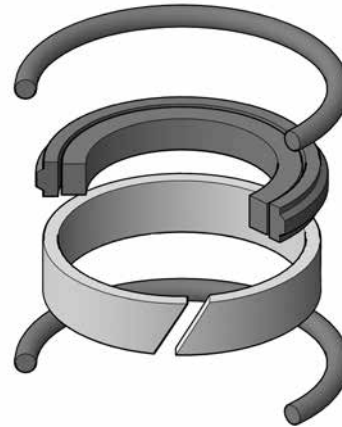
Rod Kits



Kit Includes:

- 1 NBR Wiper
- 1 Urethane Rod Seal
- 1 Wear Strip
- 2 Gland Seals

Piston Kits



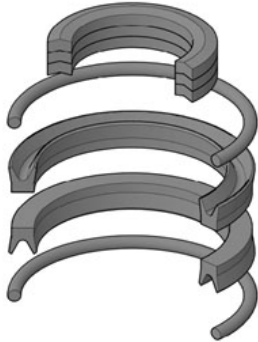
Kit Includes:

- 1 Urethane Piston Seal
- 1 Wear Strip
- 2 Tube End Seals

Rod Dia.	Kit #	List Price	Bore Dia.	Kit #	List Price
5/8"	VI-6533N-TZCC	\$38.03	1-1/2"	VI-6633N-TVCE	\$31.49
1"	VI-6533N-TZDE	64.81	2"	VI-6633N-TVDG	34.50
1-3/8"	VI-6533N-TZGH	48.09	2-1/2"	VI-6633N-TVEJ	37.71
1-3/4"	VI-6533N-TZHL	51.12	3-1/4"	VI-6633N-TVGL	47.03
2"	VI-6533N-TZKM	57.36	4"	VI-6633N-TVHN	60.32
2-1/2"	VI-6533N-TZLP	66.11	5"	VI-6633N-TVKQ	79.01
3"	VI-6533N-TZMU	81.13	6"	VI-6633N-TZLP	83.59
3-1/2"	VI-6533N-TZNV	83.89	7"	VI-6633N-TZMU	104.49
4"	VI-6533N-TZNW	149.48	8"	VI-6633N-TVNU	94.27
4-1/2"	VI-6533N-TZNY	117.91			
5-1/2"	VI-6533N-TZN1	164.01			
5"	VI-6533N-TZNZ	146.85			

TE / TF Series

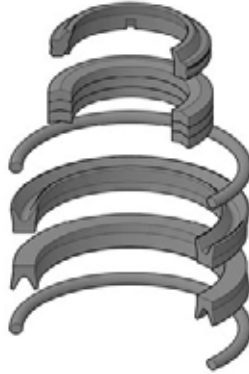
Universal / No Wiper



Kit Includes:

- 3 NBR Vee Rings
- 2 NBR Piston Seals
- 2 Tube End Seals

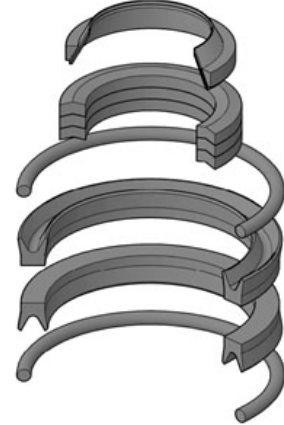
Pneumatic / Urethane Wiper



Kit Includes:

- 1 Urethane Insert Wiper
- 3 NBR Vee Rings
- 2 NBR Piston Seals
- 2 Tube End Seals

Hydraulic / Bronze Wiper



Kit Includes:

- 1 Bronze Insert Wiper
- 3 NBR Vee Rings
- 2 NBR Piston Seals
- 2 Tube End Seals

Rod x Bore	Kit #	List Price	Kit #	List Price	Kit #	List Price
5/8" X 1-1/2"	VI-6332U-004	\$21.77	VI-6332U-004-P	\$28.72	VI-6332U-004-H	\$43.54
5/8" X 2"	VI-6332U-007	22.23	VI-6332U-007-P	29.17	VI-6332U-007-H	43.71
1" X 2"	VI-6332U-009	23.59	VI-6332U-009-P	30.71	VI-6332U-009-H	41.45
1" X 2-1/2"	VI-6332U-014	31.74	VI-6332U-014-P	21.75	VI-6332U-014-H	36.98
1" X 3-1/4"	VI-6332U-020	29.19	VI-6332U-020-P	36.98	VI-6332U-020-H	44.60
1" X 4"	VI-6332U-026	40.54	VI-6332U-026-P	33.51	VI-6332U-026-H	42.84
1" X 1-1/2"	VI-6332U-006	23.08	VI-6332U-006-P	30.02	VI-6332U-006-H	41.11
1" X 5"	VI-6332U-035	42.67	VI-6332U-035-P	41.98	VI-6332U-035-H	64.51
1-3/8" X 2-1/2"	VI-6332U-016	60.34	VI-6332U-016-P	73.30	VI-6332U-016-H	72.67
1-3/8" X 3-1/4"	VI-6332U-022	29.21	VI-6332U-022-P	38.28	VI-6332U-022-H	55.13
1-3/8" X 4"	VI-6332U-028	39.83	VI-6332U-028-P	50.24	VI-6332U-028-H	61.12
1-3/8" X 5"	VI-6332U-037	44.10	VI-6332U-037-P	42.20	VI-6332U-037-H	68.78
1-3/8" X 8"	VI-6332U-069	62.52	VI-6332U-069-P	65.05	VI-6332U-069-H	73.75
1-3/4" X 3-1/4"	VI-6332U-023	35.52	VI-6332U-023-P	45.65	VI-6332U-023-H	69.29
1-3/4" X 4"	VI-6332U-030	42.93	VI-6332U-030-P	53.93	VI-6332U-030-H	73.43
1-3/4" X 5"	VI-6332U-039	47.26	VI-6332U-039-P	58.75	VI-6332U-039-H	78.01
1-3/4" X 6"	VI-6332U-048	61.12	VI-6332U-048-P	64.61	VI-6332U-048-H	73.30
1-3/4" X 8"	VI-6332U-070	68.75	VI-6332U-070-P	73.97	VI-6332U-070-H	82.60
2" X 4"	VI-6332U-031	44.28	VI-6332U-031-P	59.06	VI-6332U-031-H	82.11
2-1/2" X 4"	VI-6332U-033	49.31	VI-6332U-033-P	67.02	VI-6332U-033-H	95.16
2-1/2" X 5"	VI-6332U-042	55.29	VI-6332U-042-P	70.93	VI-6332U-042-H	109.53
3" X 5"	VI-6332U-044	58.78	VI-6332U-044-P	77.14	VI-6332U-044-H	129.07

Forklift / Manlift Kits

CONTENTS	PAGE
Allis-Chalmers	168
Baker	169-170
Cascade	171-173
Caterpillar®-Towmotor	174
Clark	175-176
Crown	177
Faresin	177
Gehl	178-179
Genie	179-180
Hidromek	180
Hyster	180
Kalmar	180-182
Komatsu	182
LULL	182
Manitou	183
Mitsubishi	183-184
Nissan	184-185
Raymond	186
TCM	187
Toyota	188-190
White	190
Yale	191

Hydraulic Cylinder Jack Kits

CONTENTS	PAGE
Enerpac	192

ALLIS-CHALMERS LIFT TRUCKS

ALLIS-CHALMERS

Kit Number	Code (Pg. 14)	Rod X Bore Size	List Price
AC-4751907	N-V-1	1-1/4 Rod Kit	\$143.70
AC-4787570	2 STAGE	1-7/8, 2-1/2	369.46
AC-4787619	9/16" SPOOL	9/16" Spool	17.36
AC-4885085	1 HALF RING	2-1/4 Rod Bearing	5.84
AC-4905170		3/4 Shaft Kit	98.87
AC-4906087	I-U-4	3 X 3-1/2	101.87
AC-4906099	I-U-1	2-1/4 X 2-3/4	159.57
AC-4906100	I-U-1	2-1/4 X 2-3/4	61.94
AC-4906322	I-U-11	1-1/4 X 3	46.00
AC-4906332	I-U-11	1-1/4 X 3	50.78
AC-4906336	I-U-11	1-1/2 X 3-3/4	69.84
AC-4906380	I-U-1	1-3/4 X 2-1/4	38.56
AC-4906390	I-U-1	2-5/8 X 3-1/4	42.29
AC-4906391	I-U-4	3-3/4 X 4-1/4 w/ feed tube	270.09
AC-4906392	I,P-U-1	3-3/4 X 4-1/4	118.47
AC-4906396	I-U-11	1-3/4 X 4-7/8	110.79
AC-4907400		Pump Kit	21.09
AC-4907419	I-U-11	1-1/8 X 2-1/4	46.76
AC-4907474	P-U-1	4 X 4-1/2 w/ feed tube	140.08
AC-4907475	P-U-1	3-1/2 X 4-1/4	98.49
AC-4908297	I-O-3	1 X 2-1/2	26.52
AC-4908540	P-U-1	5 X 5-1/2	162.39
AC-4908541	P-U-1	5 X 5-1/2 w/ feed tube	207.94
AC-4908555	I-O-3	3/4 X 1-1/2	13.73
AC-4908917	I-U-1	3-1/4 X 3-3/4	64.84
AC-4908980	7/8" SPOOL	7/8" Spool	19.78
AC-4909028	I-O-3	1-1/4 X 3-1/2	22.00

Kit Number	Code (Pg. 14)	Rod X Bore Size	List Price
AC-4909035	I-O-11	1-1/2 X 2-1/2	\$85.08
AC-4910116	I-O-11	7/8 X 2	36.57
AC-4910977	9/16" SPOOL	9/16" Spool	14.33
AC-4911398	I-U-4	2 X 3 2 Cylinders	67.21
AC-4912036	I,P-U-1	1, 2-1/4, 3 Stages	174.75
AC-4912039	I-U-11	1-1/8 X 2-1/4	55.75
AC-4912322	I,P-U-1	1, 1-3/4, 2-3/8 Stages	174.37
AC-4912359	P-U-1	3 X 3-1/2	75.52
AC-4913028	P-U-11	7/8 X 2	64.75
AC-4913075	P-U-1	3-3/4 X 4-1/4 w/ feed tube	267.10
AC-4913486	P-U-1	2-1/2 X 3	86.66
AC-4914879	I-U-1	2-3/4 X 3-1/2	57.76
AC-4914917	I-U-4	1-7/8, 2-5/8 2 Stages	159.66
AC-4917136	I-U-10	2-1/4 X 3	102.60
AC-4917655	I-U-4	1-3/4 X 2-1/4	57.38
AC-4918325	I-U-4	1 X 2	57.53
AC-4918585	I-U-1	1-1/2 X 2-1/4	44.39
AC-4932484	I-SP-1	35 mm Rod Kit	22.80
AC-4942582	I-U-1	30 x 55 mm	48.83
AC-4991278	I-OB-3	1-1/8 X 2-1/4	27.62
AC-4992550	N-TR-1	7/8 Rod Only	11.05
AC-4992855	I-V-6	1-1/2 X 3-3/4	141.85
AC-4993273	I-V-6	1-1/4 X 3	124.58
AC-4993661	I-V-6	1-3/4 X 4-7/8	147.37
AC-4998712	I-N-V	3-5/8 X 4-1/4	138.13
AC-78762688	I-U-1	4-1/8 Rod Kit	141.48

BAKER LIFT TRUCKS

BAKER LIFT TRUCKS KIT APPLICATIONS - TILT CYLINDERS

Kit Number	Code (Pg. 14)	Rod X Bore Size	List Price	Cylinder Assembly	Repair Kit	Cylinder Assembly	Repair Kit
BAK-105147	I-V-1	4.438 Rod	\$288.88	233HR7774ZC	3001Y10	9025JT	105652
BAK-105235	I-V-1	2.950 Rod	110.47	270HR7774ZC	106399	9025JV	105652
BAK-105652	I-V-5	1-1/4 X 4	141.47	9025AT	106399	9025JW	105652
BAK-106390	I-U-5	1-3/4 X 4-1/2	154.14	9025AX	106399	9025JX	3001Y28
BAK-106391	I-V-11	1-3/4 X 4	74.22	9025BE	3001Y10	9025JY	3001Y28
BAK-106393	I-V-11	1-1/4 X 4	135.56	9025BF	3001Y10	9025KA	105652
BAK-106399	I-V-11	1-1/4 X 3	54.13	9025BL	3001Y10	A9025KA	105652
BAK-106657	I-V-1	3.950 Rod	147.18	9025BM	106391	9025KB	105652
BAK-106663	Multi-Stage	2-1/4, 2-3/8, 3-1/4	127.73	9025BN	106391	9025KC	105652
BAK-109009	I-U-4	2-1/2 X 3	96.14	9025CH	106399	100072-75	3001Y28
BAK-109010	I-V-1	2-1/2 Rod	172.03	9025EG	3001Y16	100472-477	105652
BAK-138727	P-U-10	22 X 60 mm	176.10	9025EP	3001Y16	100503-508	105652
BAK-3001Y10	I-V-11	1-3/4 X 4	73.78	9025EW	3001Y10	100516-519	105652
BAK-3001Y14	Multi-Stage	2-3/8, 3-3/16, 4-15/16	532.74	9025FB	3001Y16	100742-743	105652
BAK-3001Y16	I-V-11	1-1/4 X 3	123.44	9025FF	106391	100960-963	105652
BAK-3001Y17	I-V-1	3.450 Rod	160.23	9025FH	3001Y10	102793-94	3001Y28
BAK-3001Y20	I-V-1	3.950 Rod	149.79	9025FN	3001Y16	102961-62	3001Y28
BAK-3001Y22	P-OB-10	3/4 X 2	44.98	9025FP	106391	103904-05	105652
BAK-3001Y28	I-V-5	1-1/4 X 3	197.54	9025FT	3001Y10	104183-86	3001Y28
				A9025GK	106393	104639-40	105652
				A9025GN	106393	105840-41	105652
				9025GN	106393	106058-59	105652
				9025HC	106393	108259-60	105652
				9025JA	106393	109351-52	105652
				9025JJ	106393	110872-73	106390
				9025JM	106393	113352-53	106390
				9025JS	105652		

BAKER

BAKER LIFT TRUCKS

KIT APPLICATIONS - HOIST CYLINDERS

BAKER

Cylinder Assembly	Repair Kit	Cylinder Assembly	Repair Kit	Cylinder Assembly	Repair Kit	Cylinder Assembly	Repair Kit
122R7774Z	3001Y14	103598	3001Y20	105845	104840	112006	104840
160R7774XC	3001Y14	103635	3001Y20	105855	3001Y20	112037	3001Y20
230HR7774ZC	3001Y14	103662	105147	105933	106663	112061	109009
270HR7774XC	106399	103775	106663	105962	3001Y20	112111	104840
294U7774XC	106657	103855	106663	105970	3001Y20	112213	104840
295HR7774XC	3001Y17	103894-95	106663	106138	3001Y20	112419	105235
298U7774XC	3001Y14	104100	104840	106228	3001Y20	112562-63	109009
9025AD	3001Y14	104131	3001Y14	106474-76	109009	112600	105147
9025AF	3001Y14	104178	105147	106477	109009	112658	109009
9025CN	106657	104244	3001Y14	106647	104840	112832	105235
9025D	106657	104278	106663	106672	106663	112904	104840
9025EH	3001Y17	104349	3001Y20	106733	104840	112962	109009
C9025GB	104840	104377	105147	107695-96	105147	113111	105147
A9025GC	3001Y20	104431	104840	107794-96	109009	113194	109009
9025GW	105235	104438	104840	108051	104840	113228	3001Y20
9025HH	3001Y20	104441	106663	108625	109009	113251	105235
9025HX	3001Y20	104516	105147	108656	109009	113388	109009
9025JK	106393	104529	104840	108971-974	105235	113434	109009
100227-230	105235	104548	3001Y20	109631-641	109009	113638	105147
102019-20	105235	104604	105147	109788	3001Y20	114040	109009
102064-67	105235	104617	105147	109823	105147	114141	109009
102068-72 & 79	3001Y17	104705-07	3001Y20	109879	109010	114283	109009
102506-08	105235	104745	104840	110095	109009	114392	105147
102556-559	3001Y17	104794-96	3001Y20	110506	109010	114889	109009
102569-79	106663	104878	3001Y20	110648-657	105235	114954	109009
102671-79	3001Y14	104998	104840	110756	3001Y20	115237	105147
102695-102708	104840	105104	3001Y20	110899	105235	115247	3001Y20
102813-16	3001Y20	105163	105147	110947-949	109009	115656	105147
102898-900	3001Y20	105387-89	109010	111059-61	109009	115956	109009
103102	105147	105727	106663	111124	109010	116318	109009
103583	3001Y20	105730	3001Y14	111549-562	109010	116740	3001Y20
103589	3001Y20	105842	104840	111843	105235	G7328-3	104840

CASCADE

CASCADE

Kit Number	Code (Pg. 14)	Rod X Bore Size	List Price
CAS-11.11.73	I-U-15	7/8 X 1-1/2	\$41.81
CAS-210090	I-U-4	20 X 36 mm	255.81
CAS-210288	I-U-4	20 X 36 mm	255.81
CAS-562339	I-U-4,10	1-1/8 X 2-1/4	40.45
CAS-684827	I-U-4	3/4 X 1-1/2	24.44
CAS-552715	I-U-1	2-1/4 X 2-3/4	74.19
CAS-554289	MULTI STAGE	4, 5	253.90
CAS-560349	I-U-4	2" X 75 mm	160.26
CAS-562591	I-U-4	2" X 60 mm	128.10
CAS-564409	I-U-13	25 X 63 mm	98.59
CAS-615939	O-RING KIT		10.96
CAS-615940	O-RING KIT		14.43
CAS-628080	I-V-8	1-1/4 X 3	136.51
CAS-630033	I-U-3	1-1/2 X 4-3/4	49.36
CAS-630038	I-U-3	1-1/2 X 4-3/4	45.70
CAS-630445	I-V-8	1-1/4 X 2-1/2	84.84
CAS-631277	P-V-9	2 X 4-3/4	309.68
CAS-638884	MULTI STAGE	2-3/4, 3-3/4	158.77
CAS-639695	I-U-4	3/4 X 1-3/4	78.68

Kit Number	Code (Pg. 14)	Rod X Bore Size	List Price
CAS-640371	I-U-4	4 X4-1/2	\$131.85
CAS-641956	MULTI STAGE	4, 5	216.55
CAS-643280	I-U-4	3 X 3-1/2	82.89
CAS-644690	I-U-5	1-3/4 X 4	152.64
CAS-646305	I-U-3	3-1/2 X 4	101.67
CAS-646339	SWIVEL KIT		9.88
CAS-647626	I-U-4	1 X 2-1/4	40.15
CAS-647892	I-V-8	1-3/4 X 4.520	137.62
CAS-650018	I-U-5	3-1/2 X 7	177.23
CAS-651847	I-N-4	2 X 2-1/2	62.24
CAS-654519	P-V-1	2 X 4-3/4	93.80
CAS-656167	MULTI STAGE	4-1/4, 5-7/16	294.57
CAS-658717	MULTI STAGE	2-3/4, 3-3/4	149.62
CAS-660954	I-U-4	1-5/8 X 3-1/2	88.53
CAS-660955	I-U-4	3 X 4	104.37
CAS-664814	N-U-4	3/4 X 1-3/4	41.80
CAS-667622	MULTI STAGE	2-1/2, 3-1/4, 4-1/2	281.88

45C VIEWMAST II

CAS-T555286	P-U-10	2-1/8 X 3	\$124.26
-------------	--------	-----------	----------

REPLACEMENT PARTS FOR CASCADE EQUIPMENT

NOTE: Cascade part numbers are used as a reference only. We do not imply that these kits are original REPLACEMENT PARTS.

BACK-UP RINGS

Part Number	Min. Pkgs.	List Price
CAS-559870	1	\$15.81
CAS-563388	10	1.44
CAS-563907	1	3.98
CAS-563977	5	2.57
CAS-564404	1	15.93
CAS-615009	25	0.52
CAS-615012	25	0.54
CAS-615126	10	0.79
CAS-615128	10	0.93
CAS-615130	10	1.12
CAS-615132	10	1.25
CAS-615135	10	1.45
CAS-615140	10	1.99
CAS-615146	5	3.05
CAS-615147	5	2.66

BACK-UP RINGS

Part Number	Min. Pkgs.	List Price
CAS-615150	5	\$3.08
CAS-615152	5	3.42
CAS-615217	1	5.85
CAS-637565	1	7.75
CAS-638223	1	10.46
CAS-638224	1	10.46
CAS-638225	1	10.90
CAS-638244	10	0.91
CAS-638245	1	7.66
CAS-638247	1	8.03
CAS-638249	1	8.40
CAS-638250	1	7.45
CAS-638252	1	9.24
CAS-638253	1	9.58
CAS-638256	1	10.72

BACK-UP RINGS

Part Number	Min. Pkgs.	List Price
CAS-638257	1	\$14.06
CAS-638293	1	8.96
CAS-638295	1	9.58
CAS-638298	1	14.06
CAS-648569	4	4.23
CAS-660952	1	9.58
CAS-669247	5	3.01
CAS-671754	10	1.24

FACE SEALS

Part Number	List Price
CAS-601468	\$3.46
CAS-607287	5.42

REPLACEMENT PARTS FOR CASCADE

NOTE: Cascade part numbers are used as a reference only. We do not imply that these kits are original REPLACEMENT PARTS.

O-RINGS

Part Number	Min. Pkgs.	List Price
CAS-1596	50	\$0.12
CAS-1912210	20	0.42
CAS-207300	50	0.08
CAS-208761	50	0.12
CAS-208762	50	0.32
CAS-208763	50	0.37
CAS-209063	15	1.14
CAS-209064	15	1.14
CAS-209065	15	1.16
CAS-209066	15	1.25
CAS-212359	50	0.15
CAS-2696	50	0.04
CAS-2697	50	0.04
CAS-2698	50	0.04
CAS-2699	50	0.04
CAS-2700	50	0.08
CAS-2701	50	0.10
CAS-2702	50	0.08
CAS-2703	50	0.10
CAS-2704	50	0.10
CAS-2705	50	0.10
CAS-2706	50	0.10
CAS-2707	50	0.12
CAS-2709	50	0.12
CAS-2712	50	0.17
CAS-2722	20	0.37
CAS-2753	5	2.98
CAS-2785	20	0.76
CAS-2787	20	0.55
CAS-2789	20	0.60
CAS-2792	20	0.75
CAS-2793	20	0.75
CAS-2797	20	0.93
CAS-2799	20	0.98
CAS-2801	20	1.01
CAS-2803	10	1.12
CAS-2804	10	1.20
CAS-2807	10	1.59
CAS-2808	10	1.63
CAS-2809	10	1.68

O-RINGS

Part Number	Min. Pkgs.	List Price
CAS-2811	10	\$1.77
CAS-2840	50	0.32
CAS-524737	50	0.10
CAS-543372	10	2.05
CAS-557226	50	0.19
CAS-562127	20	0.91
CAS-564363	20	0.58
CAS-581565	50	0.42
CAS-613376	50	0.14
CAS-617724	50	0.17
CAS-622406	20	0.37
CAS-624737	50	0.10
CAS-624738	50	0.14
CAS-626186	50	0.14
CAS-626189	20	0.32
CAS-628033	20	0.26
CAS-630386	20	0.33
CAS-643330	50	0.08
CAS-643331	50	0.08
CAS-643332	50	0.08
CAS-643333	50	0.08
CAS-643334	50	0.08
CAS-643335	50	0.08
CAS-643336	50	0.08
CAS-643337	50	0.10
CAS-643338	50	0.10
CAS-643339	50	0.12
CAS-643340	50	0.12
CAS-643341	50	0.14
CAS-643342	50	0.14
CAS-643343	50	0.14
CAS-643344	50	0.14
CAS-643345	50	0.17
CAS-643346	50	0.17
CAS-643347	50	0.24
CAS-643348	50	0.26
CAS-643349	50	0.26
CAS-643350	20	0.26
CAS-643351	20	0.29
CAS-643352	20	0.33

O-RINGS

Part Number	Min. Pkgs.	List Price
CAS-643353	20	\$0.37
CAS-643354	20	0.42
CAS-643355	20	0.51
CAS-643356	20	0.55
CAS-643357	20	0.55
CAS-643358	20	0.60
CAS-643359	20	0.60
CAS-643360	20	0.66
CAS-643361	20	0.68
CAS-643362	20	0.71
CAS-643363	20	0.80
CAS-643364	20	0.89
CAS-643365	20	0.93
CAS-643366	10	1.09
CAS-643367	10	1.12
CAS-643368	10	1.20
CAS-643369	10	1.33
CAS-643370	10	1.59
CAS-643371	10	2.05
CAS-643373	50	0.12
CAS-643374	50	0.14
CAS-643375	50	0.14
CAS-643376	50	0.14
CAS-643377	50	0.17
CAS-643378	50	0.17
CAS-643379	50	0.17
CAS-643380	50	0.26
CAS-643381	50	0.26
CAS-643382	20	0.29
CAS-643383	20	0.32
CAS-643384	20	0.33
CAS-643385	20	0.33
CAS-643386	20	0.37
CAS-643387	20	0.39
CAS-643388	20	0.39
CAS-643389	20	0.42
CAS-643390	20	0.42
CAS-643391	20	0.42
CAS-643392	20	0.43
CAS-643393	20	0.43

CASCADE

REPLACEMENT PARTS FOR CASCADE EQUIPMENT

NOTE: Cascade part numbers are used as a reference only. We do not imply that these kits are original REPLACEMENT PARTS.

O-RINGS

Part Number	Min. Pkgs.	List Price
CAS-643394	20	\$0.51
CAS-643395	20	0.51
CAS-643396	20	0.51
CAS-643397	20	0.60
CAS-643398	20	0.60
CAS-643399	20	0.60
CAS-643400	20	0.66
CAS-643401	20	0.66
CAS-645592	20	0.76
CAS-654926	50	0.26
CAS-655799	50	0.17
CAS-666015	50	0.32
CAS-666183	50	0.32
CAS-666184	50	0.19
CAS-666891	15	1.14
CAS-666892	10	1.25
CAS-666893	15	1.14
CAS-676959	15	1.11
CAS-682862	50	0.10
CAS-684587	50	0.15
CAS-684615	50	0.15
CAS-689937	50	0.15
CAS-689938	50	0.19
CAS-797089	20	0.78

PISTON SEALS

Part Number	Bore Diameter	List Price
CAS-564407	63 mm	\$60.19

RETAINER RINGS

Part Number	List Price
CAS-7197	\$3.66

U-SEALS

Part Number	Rod Dia.	List Price
CAS-646540	3/4	\$7.05
CAS-641835	7/8	7.31
CAS-560502	1	7.60
CAS-662447	1	8.10
CAS-662450	1-3/8	9.24
CAS-662452	1-5/8	9.98
CAS-662454	1-7/8	11.19
CAS-553521	2-1/2	28.15
CAS-662462	3-1/2	21.73
CAS-553954	4-1/2	50.85
CAS-662457	2-1/4	14.50
CAS-553523	3	33.22
CAS-553524	3-1/4	34.80
CAS-662465	4-1/4	28.48
CAS-662467	4-3/4	32.54

VEE SETS

Part Number	Bore	List Price
CAS-1469	3-1/2	\$68.88
CAS-1471	4-1/2	76.06
CAS-1809	1-3/4	29.92
CAS-1861	2-3/4	63.41
CAS-7501	1-3/8	34.45
CAS-7502	2	33.24
CAS-7538	4	79.51
CAS-7542	3	35.81
CAS-7554	4-3/4	107.84
CAS-7606	2-1/4	28.62
CAS-7608	3-1/2	35.62
CAS-7609	2-1/2	32.14
CAS-7636	4-1/4	66.56
CAS-827	4-1/2	85.05

WEAR RINGS

Part Number	O.D. X Width	List Price
CAS-660761	2-1/4 X 1/2	\$5.80
CAS-660769	4 X 1/2	6.51
CAS-660784	4-3/4 X 3/4	7.62
CAS-660786	5-1/4 X 3/4	7.78
CAS-636959	5-3/4 X 3/4	10.00

WIPERS

Part Number	Rod Dia.	List Price
CAS-559961	3/4	\$4.61
CAS-636851	7/8	1.70
CAS-636852	1	1.70
CAS-626468	1-1/4	1.84
CAS-636854	1-5/8	2.87
CAS-1916335	2-1/2	8.29
CAS-629608	2-1/2	3.50
CAS-636859	3	4.32
CAS-636860	3-1/4	5.08
CAS-563682	3-1/4	12.01
CAS-636862	4	5.80
CAS-563683	4-1/2	15.47
CAS-626456	4-1/2	6.29
CAS-636864	4-3/4	6.54
CAS-561256	42 mm	28.82

REPLACEMENT KITS FOR CATERPILLAR TOWMOTOR LIFT TRUCKS

NOTE: If you can locate the cylinder group number, it can aid in identifying the proper kit.

Kit Number	Code (Pg. 14)	Rode X Bore Size	List Price
TM-1033947	I-U-10	40 X 90 mm	\$116.39
TM-1040763	P-U-1	70 mm	91.47
TM-1040900	I-U-10	37 X 71 mm	62.72
TM-1040948	P-U-1	35 mm	46.54
TM-1041095	P-U-1	40 x 50 mm	154.64
TM-1042519	P-U-1	85 X 100 mm	103.16
TM-1042609	P-U-4	45 X 55 mm	110.36
TM-1146727	P-U-14	50 X 110 mm	168.93
TM-206398	RETAINER RING		1.25
TM-324908	I-V-8	2 X 4.525	101.67
TM-375427	I-U-11	1 X 2-1/2	27.61
TM-376968	I-U-1	2-1/2 Rod	54.03
TM-388594-6	P-UB-10	1-1/2 X 3-1/2	65.88
TM-396743	I-P-N-8	3 X 4.025	145.88
TM-396744	I,P-U-8	2-1/2 X 3.525	65.46
TM-396746	I,P-U-1	2-1/4, 3-1/4, 4-1/8 Stages	224.64
TM-396747	P-U-8	3 X 3.525	89.90
TM-396748	I-U-8	3 X 4.025	83.05
TM-396749	P-U-1	3-1/8, 4-3/8, 5 Stages	381.83
TM-396750	P-U-1	2-3/16 X 2-1/2	76.90
TM-396751	P-U-8	3-3/4 X 5.025	138.26
TM-396752	I-U-8	2-5/8 X 3.025	99.18
TM-396754	I-U-8	2-1/2 X 3.025	65.15
TM-396755	I-U-8	3 X 3.525	79.03
TM-396756	I-P-1-8	3 X 4.025	120.32
TM-396757	P-U-1	2-3/8, 4-3/8, 5-3/4 Stages	356.29
TM-396758	I-P-U-1	1-7/8, 2-3/4, 3-5/8 Stages	194.75
TM-396759	I-V-1	2.700, 3.450, 5.700 Stgs.	244.18
TM-396760	I-V-1	2.200, 2.950, 4.700 Stgs.	189.90
TM-396761	I,P-N-8	3 X 5.025	166.08
TM-396801	P-U-1	3-3/8, 4-3/8, 5 Stages	423.24
TM-396842	P-UB-10	1-1/2 X 3-1/2	63.73
TM-396843	P-U-11	1-1/2 X 3-1/2	48.56
TM-396844	P-UB-11	1-1/2 X 3-1/2	50.89
TM-396845	I-U-11	1-1/4 X 3	37.91
TM-396846	P-UB-10	2 X 4-1/2	143.32
TM-396847	I-V-8	2 X 4.525	93.26

Kit Number	Code (Pg. 14)	Rode X Bore Size	List Price
TM-396848	P-UB-11	1-1/4 X 3	\$67.65
TM-396849	I-V-8	2 X 5.025	107.12
TM-659060	O-RINGS		11.40
TM-690003	I-U-5	2 X 5	164.38
TM-691389	I-OB-3	1-1/2 X 2-1/2	35.42
TM-693683	O-RINGS		13.62
TM-694526	I-UB-5	2 X 5	157.52
TM-694527	I-UB-5	2-1/2 X 6	174.17
TM-694528	I-U-4,10	2 X 4-1/2	106.90
TM-695522	I-UB-5	1-1/4 X 3-1/2	113.11
TM-695523	I-UB-5	1-1/2 X 4	135.01
TM-901523	I-U-1	2-1/2, 3-1/4, 4 Stages	247.16
TM-905761	P-U-1	3-1/8, 4-3/8 Stages	321.83
TM-905771	P-U-1	2-3/8, 4-3/8 Stages	260.65
TM-905961	VALVE KIT		18.35
TM-905962	VALVE KIT		8.60
TM-906496	I-U-10	3 X 4	87.84
TM-911700	I-U-1	75 mm Rod Kit	73.37
TM-911701	I-U-1	50 mm Rod Kit	78.02
TM-911725	I-N-10	25 X 50 mm	75.78
TM-911726	I-U-10	35 X 80 mm	94.10
TM-911956	P-U-1	1-5/8 Rod Kit	37.14
TM-912067	P-UB-10	1-1/4 X 3	50.54
TM-912711	P-U-1	2-3/8 Rod Kit	57.72
TM-912748	P-U-1	2-3/8 Rod Kit	57.89
TM-914206	P-UB-10	2 X 4-1/2	106.43
TM-914634	I-U-1	3-3/4" Rod	64.27
TM-914635	I-U-10	2 X 2-1/2	111.32
TM-914636	N-U-10	4 X 4-1/2	167.00
TM-917170	U-SEAL	4-3/8	46.92
TM-917174	U-SEAL	2-1/4	12.66
TM-917175	U-SEAL	3-1/4	17.53
TM-917177	U-SEAL	2-3/4	15.12
TM-918024	P-U-4	150 X 180 mm	594.30
TM-919851	P-U-15	120 X 180 mm	1012.17
TM-920666	I-U-1	50 mm Rod Kit	63.82
TM-923282	I-U-10	2 X 2-1/2	176.39

REPLACEMENT PARTS FOR CATERPILLAR® TOWMOTOR LIFT TRUCKS

Part Number	Type	I.D.	O.D.	Hgt.	List Price
TM-5461	Vee Set	1-1/4	1-3/4		\$14.61
TM-41248	Vee Set	2.200	2.700	1	30.59
TM-41250	Vee Set	2.950	3.450	1	34.87
TM-41252	Vee Set	4.700	5.290	1	56.75
TM-41340	Vee Set	4.025	5.025	1.3	68.56
TM-67841	Vee Set	2.700	3.450		39.85
TM-67842	Vee Set	3.450	4.250	1.5	72.05

Part Number	Type	I.D.	O.D.	Hgt.	List Price
TM-67843	Vee Set	5.700	6.450		\$78.65
TM-303231	Wiper	1	1-3/8	3/16	4.32
TM-303233	Wiper	2			5.00
TM-303260	Vee Set	2.275	3.025	1.2	31.22
TM-371212	Modular Back-up Ring	5	5-3/4	.226	52.60
TM-903016	Wiper	5	5-3/4	3/8	75.24

CLARK LIFT TRUCKS

NOTE: A CLARK deck number can positively identify the kit needed for lift cylinders. Looking at the upright (lift mechanism) from the driver's seat, the deck number is stamped on the right outer channel.

SAMPLE: MO141, HO351, FO168, etc.

ALSO NOTE: Kits with an "E" suffix contain original equipment u-seals. Kits without "E" suffix contain Hercules Sealing Products designed seals.

Kit Number	Code (Pg. 14)	Rod X Bore Size	List Price	Kit Number	Code (Pg. 14)	Rod X Bore Size	List Price
CLK-1795529	I-U-5	1-1/2 X 4	\$101.87	CLK-1811179	I-V-5	1-1/2 X 4	\$250.69
CLK-1810820	O-RINGS		17.82	CLK-1811180	I-V-5	1-1/4 X 4	236.44
CLK-1811046	I-U-10	1-1/4 X 3	42.67	CLK-1811184	I-V-5	1-1/4 X 3	217.21
CLK-1811107	I-N-4	2 X 2-1/4	44.22	CLK-1811200	I-V-4	2 X 6	249.85
CLK-1811108	I-N-4	2-1/4 X 2-1/2	34.20	CLK-1811200-E	I-V-4	2 X 6	468.81
CLK-1811120		1-3/4, 3-1/8 VID, 3-7/8, 5-1/4 UID	247.44	CLK-1811204	I-V-1	1-1/4 ROD	136.99
CLK-1811120-E		1-3/4, 3-1/8 VID, 3-7/8, 5-1/4 UID	401.58	CLK-1811206	I-V-5	3/4 X 1-5/8	111.08
CLK-1811122		2-1/8 VID, 3-7/8, 4-3/4, 6-1/2 UID	332.23	CLK-1811207	I-V-5	1 X 2	91.55
CLK-1811122-E		2-1/8 VID, 3-7/8, 4-3/4, 6-1/2 UID	462.46	CLK-1811209	I-V-5	1 X 2-1/4	103.22
CLK-1811123-E		3-1/4, 4-1/4 VID'S, 6-1/2 UID'S	487.58	CLK-1811210	I-V-5	1-1/4 X 2-3/4	127.85
CLK-1811124		2-1/8, 3-1/8 VID'S	143.71	CLK-1811212	I-V-5	1-1/4 X 3-1/4	133.12
CLK-1811125		2-1/8, 3-1/8, 4-1/2 VID'S	327.03	CLK-1811217	I-V-5	1-3/4 X 4-1/2	101.10
CLK-1811126		2-3/4, 3-3/4, 5-3/4 VID'S	346.36	CLK-1811218	I-V-5	2 X 6	387.58
CLK-1811127		2-3/4, 3-3/4, 5-3/4 VID'S	354.38	CLK-1811231	N-N-5	2.26" Piston Kit	68.71
CLK-1811129	I-N-4	2-1/2 X 4	71.72	CLK-1811244	I-U-10	1-1/8 X 2-1/4	44.48
CLK-1811130		1-3/4, 2-5/8, 3-3/4 VID'S	206.90	CLK-1811275	I-V-5	1-1/2 X 4	104.45
CLK-1811131		1-3/4, 3-1/8 VID, 3-7/8, 5-1/4 UID	265.12	CLK-1811309	I-U-10	1 X 3	23.79
CLK-1811131-E		1-3/4, 3-1/8 VID, 3-7/8, 5-1/4 UID	361.76	CLK-1811314		1-3/4 VID, 3-1/8, 3-7/8, 5-1/4 UID	219.37
CLK-1811132		1-3/4, 2-5/8 VID, 3-3/8, 4-1/2 UID	188.63	CLK-1811314-E		1-3/4 VID, 3-1/8, 3-7/8, 5-1/4 UID	313.61
CLK-1811132-E		1-3/4, 2-5/8 VID, 3-3/8, 4-1/2 UID	294.32	CLK-1811315		1-3/4 VID, 3-1/8, 3-7/8, 5-1/4 UID	249.95
CLK-1811133		1-3/4, 2-5/8 VID'S	98.04	CLK-1811315-E		1-3/4 VID, 3-1/8, 3-7/8, 5-1/4 UID	318.17
CLK-1811142		1-3/4, 2-5/8, 3-3/4 VID'S	513.76	CLK-1811327		2-1/8 VID, 3-7/8, 4-3/4, 6-1/2 UID	293.08
CLK-1811148		2-1/8 VID, 3-7/8, 4-3/4, 6-1/2 UID	348.45	CLK-1811327-E		2-1/8 VID, 3-7/8, 4-3/4, 6-1/2 UID	461.94
CLK-1811148-E		2-1/8 VID, 3-7/8, 4-3/4, 6-1/2 UID	464.02	CLK-1811369	P-U-4	60 mm X 73 mm	110.39
CLK-1811149	I-U-4	3-1/2 X 4-3/4	159.82	CLK-1811376	I-U-10	40 mm X 4"	82.64
CLK-1811154	I-U-1	2-1/2 X 3-1/4	46.30	CLK-1811392	P-U-10	1-3/4 X 3	107.52
CLK-1811155	I-N-4	2-1/2 X 3	43.71	CLK-1811393	I-U-10	40 mm X 4"	91.44
CLK-1811157	I-U-5	5 X 7	294.82	CLK-1811415	P-U-4	60 X 78 mm	117.62
CLK-1811158	I-U-5	4-1/2 X 6	227.48	CLK-1811537	P-U-1	60 mm	115.06
CLK-1811158-E	I-U-5	4-1/2 X 6	276.22	CLK-1811538	I-U-4	40 X 56 mm	97.70
CLK-1811159		1-3/4, 3-1/8 VID, 3-7/8, 5-1/4 UID	250.30	CLK-1811542	I-U-10	1-3/8 X 3	53.46
CLK-1811159-E		1-3/4, 3-1/8 VID, 3-7/8, 5-1/4 UID	363.23	CLK-1811544	I-U-10	1 X 2	88.86
CLK-1811160		1-3/4, 2-5/8 VID, 3-3/8, 4-1/2 UID	187.27	CLK-1811569	P-U-10	2 X 3-3/8	81.08
CLK-1811160-E		1-3/4, 2-5/8 VID, 3-3/8, 4-1/2 UID	294.32	CLK-1811582	I-U-10	1-1/4 X 3-1/2	49.34
CLK-1811161		1-3/4, 3-1/8 VID, 3-7/8, 5-1/4 UID	252.21	CLK-1811691	P-U-1	2 X 2.450	56.32
CLK-1811161-E		1-3/4, 3-1/8 VID, 3-7/8, 5-1/4 UID	351.60	CLK-1811697	I-U-10	1-1/4 X 3-1/2	51.91
CLK-1811162		2-1/8, 3-1/8, 4-1/2 UID'S	268.27	CLK-1811719	I-U-10	40 mm X 3-1/2	58.96
CLK-1811163		2-1/8, 3-1/8, 4-1/2 VID'S	330.93	CLK-1811759	I-U-10	1-1/4 X 3	51.00
CLK-1811164		1-3/4, 2-5/8, 3-3/8, 4-5/8 UID'S	167.27	CLK-1811785	I-U-10	40 mm x 3-1/2	68.96
CLK-1811164-E		1-3/4, 2-5/8, 3-3/8, 4-5/8 UID'S	327.14	CLK-1811799	I-U-10	2 X 3-3/8	130.59

CLARK

CLARK LIFT TRUCKS

CLARK

Kit Number	Code (Pg. 14)	Rod X Bore Size	List Price
CLK-1811820	I-U-10	2 X 3	\$51.84
CLK-1811828	I-U-10	2 X 3	45.80
CLK-1811852	I-U-1	3 X 3-1/2	101.78
CLK-1811855	P-U-1	60 mm X 72 mm	70.95
CLK-1811972	I-U-10	1-1/4 X 3	64.84
CLK-1813014	P-U-1	2 X 2-1/2	51.94
CLK-1813015	I-U-1	2-5/8 Rod Kit	113.83
CLK-1813016	I-U-1	3 X 3-1/2	90.20
CLK-1813017	P-U-1	60mm X 72 mm	70.95
CLK-1813023	I-U-1	40 mm X 2-3/16"	68.25
CLK-1813024	I-U-1	40 mm Rod Kit	34.06
CLK-1813032	I-U-10	50 mm X 3-3/8"	108.92
CLK-1813055	I-U-10	50 mm X 3-1/8"	113.11
CLK-1813075	I-U-10	40 mm X 3-1/2"	67.46
CLK-1813076	I-U-10	40 mm X 4"	72.08
CLK-1813082	I-U-10	50 X 86 mm	99.70
CLK-1813084	I-U-1	50 mm Rod Kit	39.15
CLK-1813176	I-U-4	60 X 73 mm	122.58
CLK-1818816	P-U-10	3/4 X 1-3/4	43.71
CLK-1818864	P-U-10	3/4 X 2	32.44
CLK-1821328	I-U-10	7/8 X 2	22.76
CLK-1830350	I-N-4	2 X 2-1/4	47.80
CLK-1830352	I-N-4	3-1/4 X 4	72.31
CLK-1830358	I-N-4	2-1/2 X 3-1/4	85.36
CLK-1830360	I-N-4	2-1/2 X 3	48.67
CLK-1830361	I-N-4	2-1/4 X 2-1/2	54.97
CLK-1830649	I-U-10	3/4 X 2-3/4	52.98
CLK-1831042	N-V-1	1-1/4" Rod Kit	16.25

Kit Number	Code (Pg. 14)	Rod X Bore Size	List Price
CLK-1831074	I-U-10	1-3/4 X 4-1/2	\$70.32
CLK-1831075	I-V-1	3-1/4 Rod Kit	70.10
CLK-1831076	I-U-10	1-1/8 X 2-1/2	44.22
CLK-1991085	P-TR-10	2 X 4	66.47
CLK-2367420	I-U-1	2-1/4 X 3-1/4	168.52
CLK-3009626	P-U-10	25 mm X 50 mm	111.93
CLK-3986876	MOTOR KIT		47.10
CLK-841270	P-U-10	2 X 3-3/4	57.45
CLK-886547	P-TR-12	1 X 2	78.98
CLK-896505	MOTOR KIT		11.75
CLK-905074	MOTOR KIT		25.98
CLK-907984	VALVE KIT		29.39
CLK-908985	VALVE KIT		28.06
CLK-912339	P-U-1	2-1/2 X 3	62.98
CLK-914698	I-U-4	1 X 2-1/2	44.55
CLK-914703	I-O-4	1-1/4 X 3	29.77
CLK-917282	O-RING KIT		12.89
CLK-917713	N-N-10	2" Piston Kit	36.07
CLK-918886	I-U-10	2 X 3-3/8	63.59
CLK-921115A	VALVE KIT		17.08
CLK-990076	VALVE KIT		7.19
CLK-990208	SWIVEL KIT		11.50
CLK-990209	SWIVEL KIT		17.19
CLK-992511	O-RING KIT		11.78
CLK-994287	VALVE KIT		20.33
CLK-995815	SWIVEL KIT		17.19
CLK-999820	P-U-10	3/4 X 1-3/4	56.61

CROWN LIFT TRUCKS

Kit Number	Code (Pg. 14)	Rod X Bore Size	List Price
CRN-087484		O-RING	\$7.08
CRN-088719		O-RING	6.33
CRN-089178	I-U-13	1-3/4 X 3-1/2	86.01
CRN-093217		O-RING	6.78
CRN-101296	I-U-1	2-1/2" Rod Kit	36.54
CRN-101301	I-U-1	2 ROD KIT	43.25
CRN-101302	I-U-1	1-7/8 X 2-1/2	114.06
CRN-101305	I-U-1	1-5/8 X Rod Kit	167.41
CRN-101309	I-U-1	1-7/8" ROD KIT	119.68
CRN-101310	I-U-1	2-1/2" ROD KIT	48.66
CRN-101313	I-U-1	1-3/8" Rod Kit	43.94
CRN-101314	I-U-1	2-1/8" ROD KIT	33.94
CRN-101316	I-U-1	2-3/8" ROD KIT	79.23
CRN-101323	I-V-1	1-7/8" Rod Kit	151.28
CRN-101326	I-U-1	2-3/8" Rod Kit	53.80
CRN-101329	I-U-1	1-7/8, 2-5/8 Stages	130.60
CRN-101331	I-U-1	1-3/4, 2-3/8 Stages	107.36
CRN-101332	I-U-1	1-3/4 X 2-1/2	35.82
CRN-101334	I-U-1	1-7/8, 2-5/8 Rod kit	135.05
CRN-101335	I-U-1	1-5/8, 2-1/4 Stages	116.38
CRN-101336	I-U-1	1-5/8, 2-1/4 Stages	120.43
CRN-101339	I-U-1	2" Rod Kit	133.15
CRN-101340	I-U-1	1-7/8 ROD KIT	36.55
CRN-101341	I-U-5	1-1/4 X 2-3/8	89.40
CRN-101342	I-U-3	1-1/2 X 3	118.07
CRN-101343	I-U-5	3/4 X 2	104.27
CRN-101346	I-U-5	3/4 X 1-3/4	74.54
CRN-101347	I-U-5	3/4 X 2-1/8	102.74
CRN-101376	I-U-5	1-1/4 X 3	142.41

Kit Number	Code (Pg. 14)	Rod X Bore Size	List Price
CRN-101377	I-U-5	1 x 1-3/4	\$76.84
CRN-102659		VALVE KIT	8.32
CRN-105476004		O-RING	12.46
CRN-105476-6		O-RING	4.15
CRN-107366	I-O-1	1/2" Valve Kit	30.32
CRN-111573	I-U-1	3" ROD KIT	60.17
CRN-111574	I-U-1	2" ROD KIT	38.58
CRN-111790-001		O-RING	4.15
CRN-111790-12		O-RING	4.15
CRN-111790-2		O-RING	8.32
CRN-111790-3		O-RING	5.24
CRN-111790-4		O-RING	5.24
CRN-111790-9		O-RING	4.94
CRN-112022	I-U-4	7/8 X 2	37.33
CRN-112704		8, 9/16" Spools Rod Kit	32.27
CRN-113744	I-U-13	2-1/2 X 3-1/4	96.69
CRN-113745	I-U-13	3/4 x 1-3/4	47.98
CRN-115604	I-U-4	7/8 X 2	59.49
CRN-116360	N-O-1	O-RING	9.21
CRN-116820	I-U-1	2" rod kit	26.02
CRN-42249	I-U-1	56 X 80 mm	64.76
CRN-43023-1		VALVE KIT	53.24
CRN-78685		VALVE KIT	24.74
CRN-79017		VALVE KIT	7.64
CRN-87317	N-O-1	O-RING	6.78
CRN-89704	I-U-13	1-3/4 x 2-3/4	120.44
CRN-90880	I-U-5	3/4 X 1-3/4	77.42
CRN-94580	I-O-1	5/8" Rod kit	9.06

CROWN-FARESIN

FARESIN

Kit Number	Code (Pg. 14)	Rod X Bore Size	List Price
FAR-218301760	P-UB-15	80 mm X 130 mm	\$141.56

Forklifts

APPLICATION	CYL #	SERIAL #	CODE	ROD	BORE	KIT #	List \$
MODEL 552, 553							
ATTACHMENT ROTATE	L63594		I-U-10	1	2-1/2	GEHL-L99170	60.43
ATTACHMENT SLAVE	L63014		I-U-11	1-3/4	3-1/2	GEHL-L98527	62.53
ATTACHMENT TILT	L63013		I-U-11	2	4	GEHL-L98548	97.92
BOOM EXTEND	L63012		I-U-11	2-1/2	3-1/2	GEHL-L98558	120.49
BOOM LIFT	L63199		I-U-11	2-1/2	4-1/2	GEHL-L98521	110.70
FORK SHIFT	L66920		I-U-10	1-1/4	2	GEHL-L99958	126.66
FRAME LEVEL	L63015		I-U-11	1-3/4	4	GEHL-L98506	73.41
STEER	L98444		I-U-10	45 mm	90 mm	GEHL-L98565	186.68
MODEL 663							
BOOM EXTEND	L64333		I-U-10	3	4	GEHL-L99386	131.80
BOOM LIFT	L64014		I-U-10	3	4	GEHL-L99331	188.68
CARRIER SLAVE	L61869		I-U-10	1-3/4	3-1/2	GEHL-L99332	99.11
CARRIER TILT	L61868		I-U-10	2	4	GEHL-L99385	146.62
FRAME SWAY	L64054	Prior-4319	I-U-10	3	4	GEHL-L97674	110.48
	L64085	4320-4356	P-U-5	1-3/4	4	GEHL-L97903	105.71
	L64818	4357-UP	I-U-10	1-3/4	4	GEHL-L99382	123.34
ROTATE CARRIAGE	L61317		I-U-10	1-3/8	3	GEHL-L97769	73.51
STEER	L97649-L97976		I-U-10	1-1/8	2-1/4	GEHL-L97978	58.72
MODEL 883							
ATTACHMENT TILT	L49988A	7001-7004	I-U-10	2-1/2	5	GEHL-L97716	158.32
	L64086	7005-7444	P-U-10	2-1/2	5	GEHL-L97922	127.89
BOOM EXTEND	L64385	7001-7004	I-U-10	3-1/2	4-1/2	GEHL-L97713	127.49
	L66770	7446-UP	I-U-10	3-1/2	4-1/2	GEHL-L99376	153.01
BOOM LIFT	L64083	7005-7445	I-U-10	3-1/2	4-1/2	GEHL-L97908	85.36
	L64401	7001-7004	I-U-10	3-1/2	4-1/2	GEHL-L97711	106.29
BOOM SLAVE	L64087	7001-7004	I-U-10	2-1/4	4-1/2	GEHL-L97917	88.94
	L64087	7005-7171	I-U-10	2-1/4	4-1/2	GEHL-L97715	99.39
	L66032	7172-7444	I-U-10	2-1/4	4-1/2	GEHL-L97917	88.94
	L66666	7445-UP	I-U-11	2-1/4	5	GEHL-L99330	147.25
FORK SHIFT	L66920		I-U-10	1-1/4	2	GEHL-L99958	126.66
FRAME LEVEL	L64085	7005-7445	P-U-5	1-3/4	4	GEHL-L97903	105.71
	L64818	7001-7004, 7446-UP	I-U-10	1-3/4	4	GEHL-L99382	123.34
MAST LIFT	L66537		I-U-10	2	3	GEHL-L98848	60.61
OUTRIGGER	L64968	Prior-7386	I-U-10	2-1/2	4	GEHL-L97938	69.89
	L66642	7387-UP	I-U-11	2-1/2	4	GEHL-L99059	94.36
ROTATE CARRIAGE	L61317		I-U-10	1-3/8	3	GEHL-L97769	73.51
STEER	L97649		I-U-10	1-1/8	2-1/4	GEHL-L97978	58.72
	L99428		I-U-10	1-1/8	3	GEHL-L99430	74.33
SWING CARRIAGE	L63970	2781-UP	I-U-10	1-1/4	2-1/2	GEHL-L99944	59.33
	L65659	Prior-2780	I-U-10	1-3/8	3	GEHL-L97955	94.02
Loaders - Skid Steer							
APPLICATION	CYL #	SERIAL #	CODE	ROD	BORE	KIT #	List \$
MODEL SL4240E							
LIFT	170-35000		I-U-10,12	1-1/4	2-1/4	GEHL-190-32923	23.55
TILT	190828		I-U-10,12	1-1/4	2-1/4	GEHL-190-32923	23.55
MODEL SL4640E							
LIFT	139452		I-U-10	1-1/2	2-1/2	GEHL-134848	21.70
TILT	183399		I-U-10	1-3/8	2-1/2	GEHL-134849	23.62
MODEL SL4840E							
LIFT	139452		I-U-10	1-1/2	2-1/2	GEHL-134848	21.70
TILT	183399		I-U-10	1-3/8	2-1/2	GEHL-134849	23.62
MODEL SL5240E							
LIFT	139452		I-U-10	1-1/2	2-1/2	GEHL-134848	21.70
TILT	183399		I-U-10	1-3/8	2-1/2	GEHL-134849	23.62
MODEL SL5640E							
LIFT	186074		I-U-10	1-1/2	2-3/4	GEHL-131299	20.92
TILT	183387		I-U-10	1-1/2	2-3/4	GEHL-131299	20.92
MODEL SL6640E							
LIFT	186074		I-U-10	1-1/2	2-3/4	GEHL-131299	20.92
TILT	183387		I-U-10	1-1/2	2-3/4	GEHL-131299	20.92

GEHL

Kit Number	Code (Pg. 14)	Rod X Bore Size	List Price
GEHL-L97617	I-U-10	2 X 4	\$71.87
GEHL-L97674	I-U-10	3 X 4	110.48
GEHL-L97711	I-U-10	3-1/2 X 4-1/2	106.29
GEHL-L97713	I-U-10	3-1/2 X 4-1/2	127.49
GEHL-L97715	I-U-10	2-1/4 X 4-1/2	99.39
GEHL-L97716	I-U-10	2-1/2 X 5	158.32
GEHL-L97769	I-U-10	1-3/8 X 3	73.51
GEHL-L97903	P-U-5	1-3/4 X 4	105.71
GEHL-L97908	I-U-10	3-1/2 X 4-1/2	85.36
GEHL-L97917	I-U-10	2-1/4 X 4-1/2	88.94
GEHL-L97922	P-U-10	2-1/2 X 5	127.89
GEHL-L97938	I-U-10	2-1/2 X 4	69.89
GEHL-L97955	I-U-10	1-3/8 X 3	94.02
GEHL-L97978	I-U-10	1-1/8 X 2-1/4	58.72
GEHL-L98506	I-U-11	1-3/4 X 4	73.41
GEHL-L98521	I-U-11	2-1/2 X 4-1/2	110.70
GEHL-L98527	I-U-11	1-3/4 X 3-1/2	62.53
GEHL-L98548	I-U-11	2 X 4	97.92
GEHL-L98558	I-U-11	2-1/2 X 3-1/2	120.49
GEHL-L98565	I-U-10	45 X 90 mm	186.68
GEHL-L98848	I-U-10	2 X 3	60.61
GEHL-L99059	I-U-11	2-1/2 X 4	94.36
GEHL-L99170	I-U-10	1 X 2-1/2	60.43
GEHL-L99330	I-U-11	2-1/4 X 5	147.25
GEHL-L99331	I-U-10	3 X 4	188.68
GEHL-L99332	I-U-10	1-3/4 X 3-1/2	99.11
GEHL-L99376	I-U-10	3-1/2 X 4-1/2	153.01
GEHL-L99382	I-U-10	1-3/4 X 4	123.34
GEHL-L99385	I-U-10	2 X 4	146.62
GEHL-L99386	I-U-10	3 X 4	131.80
GEHL-L99430	I-U-10	1-1/8 X 3	74.33
GEHL-L99944	I-U-10	1-1/4 X 2-1/2	59.33
GEHL-L99958	I-U-10	1-1/4 X 2	126.66

GENIE

Kit Number	Code (Pg. 14)	Rod X Bore Size	List Price
GENIE-07.0721.0120GT	I-U-15	70 X 110	\$131.28
GENIE-07.0721.0121GT	I-U-15	50 X 70	156.87
GENIE-07.0721.0122GT	I-U-15	50 X 100	156.28
GENIE-07.0721.0123GT	I-U-15	60 X 120	124.34
GENIE-101252	P-U-15	100 X 140	271.23
GENIE-101254	I,P-U-15	40 X 75	101.96
GENIE-102126	MISC		196.76
GENIE-105549GT	I-U-10	55 x 75	100.09
GENIE-105550GT	I-U-10	20 X 40	74.85
GENIE-106119	MISC		133.40

GENIE

Kit Number	Code (Pg. 14)	Rod X Bore Size	List Price
GENIE-106125	MISC		\$69.22
GENIE-106508	MISC		102.64
GENIE-107813	WASHER		9.92
GENIE-110202	34542 VALVE KIT		18.96
GENIE-122944GT	Rotator Seal Kit		286.36
GENIE-1286600GT	Wheel Drive Kit		78.75
GENIE-1286600GT	Valve Kit		78.75
GENIE-130917	I-U-15	40 X 90	78.97
GENIE-139972	MISC		409.59
GENIE-18471	I-SP-10	1.5 X 2.5	66.54
GENIE-226542	MISC		283.30
GENIE-230483	I-U-10	1.750 X 4	111.72
GENIE-33487	I-U-10	1.5 X 3	90.51
GENIE-43018	O-rings + Back-ups		33.67
GENIE-44233	CHECK VALVE KIT		21.57
GENIE-44250	I-U-10	.750 X 20	60.48
GENIE-45898	I-SP-10	2 X 4	56.01
GENIE-52620	I-U-10	1.500 X 30	44.60
GENIE-59050	I-U-14	1.5 X 2.5	102.23
GENIE-59169	I-U-10	10 X 20	56.06
GENIE-59444	I-U-10	1.750 X 2.5	94.20
GENIE-62341GT	VALVE SEAL KIT		8.16
GENIE-62417	N-TR-5,11	2.125 X 3.5	258.42
GENIE-63350	P-U-15	40 X 75	112.46
GENIE-63353	P-U-15	40 X 63	131.04
GENIE-63354	P-U-15	40 X 63	90.53
GENIE-635965	I-U-15	60 X 120	134.03
GENIE-640096	I-U-15	70 X 110	91.65
GENIE-65789	P-U-15	32 X 50	112.38
GENIE-66470	I-N-1	3	91.77
GENIE-7-234-31	CARTRIDGE SEAL KIT		39.60
GENIE-7-229-920GT	I-U-10	50 X 100	199.66
GENIE-7-900-33	P-U-11	3 X 4-1/2	255.89
GENIE-7-900-88GT	I-U-10	45 x 90	181.41
GENIE-7-900-180	I-U-10	1.5 X 3.5	80.83
GENIE-72047	O-rings		24.75
GENIE-74902GT	Valve Kit		11.20
GENIE-75469GT	P-U-15	40 x 63	74.24
GENIE-77189	P-U-15	45 X 90	99.53
GENIE-77364	P-U-15	40 X 75	74.14
GENIE-77520	Swivel Kit		572.87
GENIE-77521	P-U-15	45 X 63	58.48
GENIE-84394	Check Valve Kit		13.17
GENIE-88338	P-U-10	25 X 50	70.42
GENIE-88349GT	P-U-10	40 x 63	105.43
GENIE-89066	P-U-10	25 X 50	87.16
GENIE-89294	P-U-10	40 X 63	80.74

FORMERLY LISTED REPAIR PARTS ARE AVAILABLE ONLINE AT WWW.HERCULESUS.COM
OR BY CONTACTING YOUR REGIONAL HERCULES SALES TEAM.

GENIE

Kit Number	Code (Pg. 14)	Rod X Bore Size	List Price	Kit Number	Code (Pg. 14)	Rod X Bore Size	List Price
GENIE-89310	O-rings + Back-ups		\$24.60	GENIE-94258GT	P-U-15	40 x 75	\$90.02
GENIE-89312GT	Valve Seal Kit		15.15	GENIE-94620	MISC		79.75
GENIE-94255	P-U-15	32 X 50	174.15	GENIE-94625	O-Rings + Back-Ups		36.26
GENIE-94256	P-U-15	32 X 50	174.15	GENIE-94937	MISC		504.55

HIDROMEK

Kit Number	Code (Pg. 14)	Rod	Bore	List Price	Kit Number	Code (Pg. 14)	Rod	Bore	List Price
HIDMK-S4880955	N-N-15	-	90 mm	\$320.06	HIDMK-S4891231	I-UB-1	60 mm	-	\$46.71
HIDMK-S4881040	N-N-10	-	105 mm	31.30	HIDMK-S4891240	I-UB-1	60 mm	-	46.98

HYSTER

Kit Number	Code (Pg. 14)	Rod X Bore Size	List Price	Kit Number	Code (Pg. 14)	Rod X Bore Size	List Price
HYS-1332565	I-U-1	1-7/8 X 2-1/4	\$79.56	HYS-280182	I-O-10	1 X 2-1/4	\$25.43
HYS-1334570	I-U-4	3-1/2 X 4	115.23	HYS-280537	I-U-4	2-1/8 X 2-1/2	87.50
HYS-1334571	I-N-5	4 X 4-1/2	145.17	HYS-281474	P-U-10	1-1/2 X 3-1/2	68.58
HYS-133462	I-V-1	1-3/4" ROD	33.82	HYS-281815	I-U-10	1-3/4 X 3-1/2	35.12
HYS-1355337		GEAR KIT	41.35	HYS-281822	I-U-10	1-1/4 X 3	32.16
HYS-144267		O-RING KIT	20.44	HYS-281855	I-U-10, 12	1-3/4 X 3-1/2	72.63
HYS-148292	N-N-8	3-1/4" PISTON KIT	89.59	HYS-281859	I-U-10, 12	2-1/4 X 3-1/2	77.35
HYS-148414	I-V-1	1-3/4" ROD	36.88	HYS-281864	I-U-10	1-3/4 X 3-1/2	35.38
HYS-149193	N-N-P	2-1/2" BORE	33.03	HYS-314993		O-RING KIT	10.12
HYS-149194	P-V-1	1-3/4 X 2-1/2	45.31	HYS-318005	I-U-1	2-3/4, 3-3/4 Stages	115.37
HYS-149254	I-V-1	1-3/4" ROD	30.96	HYS-321758	I-U-10	2-1/4 X 4-1/2	52.11
HYS-149258	P-V-1	2" ROD	69.48	HYS-321909	I-U-5	3 X 4-3/4	191.40
HYS-149259	N-V-1	2-1/4" ROD	40.27	HYS-323645	I-U-8	1-3/4 X 4	95.31
HYS-149260	I-V-1	1-1/4" ROD	38.05	HYS-327393	I-U-4	2-1/8 X 2-1/2	63.99
HYS-149292		O-RING KIT	11.47	HYS-328074	I-U-10	1-1/4 X 2-3/4	38.53
HYS-1494726	P-U-10	1-3/4 X 4	54.62	HYS-328121	P-U-10	1-1/4 X 3	75.11
HYS-168801	N-U-12	1 X 3	99.32	HYS-328226	P-U-10	1-3/4 X 4-1/4	78.09
HYS-170881	P-V-8	1-1/4 X 3	66.63	HYS-333742	P-U-10	2-1/8 X 3	112.17
HYS-2026822	P-U-10	35 X 65 mm	135.65	HYS-334997	I-U-10	1-1/4 X 2-3/4	44.70
HYS-2085015	P-U-13	35 X 70 mm	106.90	HYS-337281	I-U-4	1-3/8 X 2	62.83
HYS-226074	I-U-8	1-1/2 X 3-1/2	84.97	HYS-339347	I-U-4	4, 5 Stages	265.49
HYS-2302714	I-U-11	28 mm X 2-1/2	33.06	HYS-340079	N-U-4	1-3/4 X 2-3/4	81.28
HYS-2303974	I-U-1	3 X 3-3/4	80.48	HYS-355695	P-U-10	1-3/8 X 3	66.86
HYS-250050	P-U-10	1-1/2 X 3-1/2	65.33	HYS-355909	I-U-5	1-1/2 X 4	95.62
HYS-250051	P-U-10	1-1/4 X 3	69.34	HYS-381762	I-U-10	2-7/8 X 4-1/2	105.45
HYS-250550	I-U-4	4-1/4 X 6	208.66	HYS-383991	P-U-10	1-1/4 X 3	63.99
HYS-250559	I-U-4	5-1/4 X 7-1/2	286.68	HYS-48628	I-U-4	3/4 X 1-5/8	32.13
HYS-250603	I-U-8	1 X 2-1/2	80.22	HYS-629326		HOSE REEL KIT	12.56
HYS-250937	I-U-8	1-1/2 X 3.525	191.48	HYS-639456	I-U-4	3 X 3-1/2	101.85
HYS-250943	I-U-1	3.70, 5.45 Stages	352.36	HYS-643280	I-U-4	3 X 3-1/2	107.70

KALMAR

Kit Number	Code (Pg. 14)	Rod X Bore Size	List Price	Kit Number	Code (Pg. 14)	Rod X Bore Size	List Price
KAL-920670.0003	P-U-13	32 X 63 mm	\$180.90	KAL-920744.0005	P-U-10	70 X 125 mm	\$288.43
KAL-920673.0005	P-U-15	80 X 125 mm	240.00	KAL-920744.0006	P-U-15	70 X 160 mm	177.99
KAL-920744.0001	P-U-13	32 X 63 mm	171.90	KAL-920744.0013	P-U-15	90 X 180 mm	206.74
KAL-920744.0002	I-U-13	40 X 80 mm	238.53	KAL-921307.0001	P-U-10	50 X 100 mm	281.27
KAL-920744.0003	P-U-10	60 X 80 mm	251.33				

REPLACEMENT PARTS FOR KALMAR

NOTE: Kalmar part numbers are used as a reference only. We do not imply that these kits are original REPLACEMENT PARTS.

BACK-UP RINGS

Part Number	Min. Pkg Qty	List Price
KAL-0926644	10	\$1.78
KAL-0930280	5	2.66
KAL-4741128	10	1.51
KAL-8653585	10	1.78
KAL-8653594	1	3.98
KAL-931868-4	10	1.60

O-RINGS

Part Number	Min. Pkg Qty	List Price
KAL-0922571	50	\$0.10
KAL-0923376	50	0.10
KAL-0923379	50	0.12
KAL-0923558	50	0.08
KAL-0923560	50	0.08
KAL-0923561	50	0.10
KAL-0923562	50	0.14
KAL-0923563	50	0.17
KAL-0923564	50	0.26
KAL-0923565	50	0.10
KAL-0923566	50	0.14
KAL-0923567	50	0.14
KAL-0923568	50	0.17
KAL-0923569	20	0.29
KAL-0923570	20	0.33
KAL-0923571	20	0.39
KAL-0923572	20	0.42
KAL-0923573	20	0.42
KAL-0923574	50	0.14
KAL-0923575	50	0.24
KAL-0923576	20	0.42
KAL-0923577	20	0.76
KAL-0923578	20	0.46
KAL-0923579	20	0.55
KAL-0923580	20	0.55
KAL-0923582	20	0.75
KAL-0923584	20	0.83
KAL-0923585	20	0.89
KAL-0923586	20	0.98
KAL-0923587	20	1.02
KAL-0923591	10	1.12
KAL-0923598	10	1.25
KAL-0923599	10	1.51
KAL-0923644	50	0.24
KAL-0923645	50	0.12

O-RINGS

Part Number	Min. Pkg Qty	List Price
KAL-0923646	20	\$0.37
KAL-0923648	50	0.26
KAL-0923649	50	0.29
KAL-0923650	20	0.46
KAL-0923651	20	0.79
KAL-0923663	50	0.10
KAL-0923664	20	0.37
KAL-0923702	20	0.66
KAL-0923718	50	0.29
KAL-0923719	50	0.12
KAL-0923810	50	0.17
KAL-0923811	50	0.26
KAL-0923812	50	0.29
KAL-0923813	20	0.32
KAL-0923814	20	0.60
KAL-0923815	20	0.71
KAL-0923816	20	0.93
KAL-0923817	20	1.01
KAL-0923826	20	0.46
KAL-0923827	20	0.93
KAL-0923828	20	1.01
KAL-0923829	20	1.02
KAL-0923831	10	1.63
KAL-0923832	10	1.68
KAL-0923833	10	1.68
KAL-0923843	50	0.04
KAL-0923845	50	0.08
KAL-0923847	50	0.12
KAL-0923848	50	0.14
KAL-0923849	50	0.12
KAL-0923850	20	0.33
KAL-0923851	50	0.17
KAL-0923852	20	0.66
KAL-0923855	10	1.38
KAL-0923856	20	0.71
KAL-0923865	20	0.39
KAL-0923896	20	0.33
KAL-0923922	20	0.83
KAL-0923934	50	0.17
KAL-0923935	20	0.93
KAL-0923936	10	1.20
KAL-0923944	50	0.04
KAL-0923945	50	0.12
KAL-0923947	50	0.17
KAL-0923948	50	0.26
KAL-0923949	20	0.60

O-RINGS

Part Number	Min. Pkg Qty	List Price
KAL-0923988	50	\$0.14
KAL-0923989	50	0.17
KAL-0924003	50	0.10
KAL-0924038	20	0.42
KAL-0924137	20	0.26
KAL-0924158	20	1.14
KAL-0924187	20	0.93
KAL-0924416	50	0.17
KAL-0924686	10	1.45
KAL-0924859	20	0.29
KAL-0927902	50	0.04
KAL-0930897	50	0.14
KAL-231416	50	0.14
KAL-4255395	50	0.19
KAL-4910140	50	0.10
KAL-4910366	20	0.37
KAL-4910375	50	0.32
KAL-4910378	10	2.01
KAL-4910379	20	0.71
KAL-70923812	50	0.29
KAL-70923829	20	1.02
KAL-70924003	50	0.10
KAL-70926560	5	1.83
KAL-8653584	20	0.83

NYLON PLUGS

Part Number	Rod Dia.	List Price
KAL-74816749	1/8 x 5/32	\$0.99

PISTON SEALS

Part Number	Bore Dia.	List Price
KAL-4909279	2-1/2	\$12.06

PISTON U-SEALS

Part Number	Bore Dia.	List Price
KAL-4910347	4	\$29.97

REPLACEMENT PARTS FOR KALMAR

NOTE: Kalmar part numbers are used as a reference only. We do not imply that these kits are original REPLACEMENT PARTS.

RETAINER RINGS

Part Number	List Price
KAL-231423	\$7.05
KAL-4255082	7.10
KAL-4910370	4.38
KAL-4910376	15.01
KAL-4910377	6.18
KAL-927822	15.95

U-SEALS

Part Number	Rod Dia.	List Price
KAL-78630662	1-1/2	\$19.12
KAL-4850624-0	2-1/2	15.92
KAL-74820556	2-5/8	16.63
KAL-8653586	2-3/4	17.42
KAL-8653592	4-1/2	39.88
KAL-8653595	4-1/2	29.62
KAL-74843499	5	39.09

WEAR RINGS

Part Number	OD X W	List Price
KAL-4910372	2-1/2 X 3/8	\$5.99
KAL-4850622-4	2-3/4 X 1	7.87
KAL-4910373	4 X 1/2	6.51
KAL-74844040	5-1/2 X 1	10.41

WIPERS

Part Number	Rod Dia.	List Price
KAL-4908498	1	\$1.70
KAL-74857829	1-1/4	11.33
KAL-4911395	2	2.92
KAL-4910380	2-1/2	3.50
KAL-74820557	2-5/8	14.13
KAL-8653582	2-3/4	3.71
KAL-74845370	3	29.32
KAL-8653591	4-1/2	6.29

KOMATSU LIFT TRUCKS

NOTE: Komatsu part numbers are used as a reference only. We do not imply that these kits are original REPLACEMENT PARTS.

Kit Number	Code (Pg. 14)	Rod X Bore Size	List Price
KOM-34A-63-05010	I-U-4, 12	50 X 70 mm	\$210.06
KOM-34A-64-05010	I-U-1	30mm Rod Kit	39.22
KOM-34B-63-05011	I-U-4, 10	55 X 80 mm	264.21
KOM-34B-63-05021	I-U-4, 10	60 X 80 mm	252.43
KOM-34B-64-05010	I-U-1	35 X 50 mm	56.56
KOM-3EA-64-05020	I-U-1	25 X 60 mm	62.49
KOM-3EA-64-05030	I-U-1	35mm Rod Kit	67.87
KOM-3EA-64-05190	I-U-10	1 X 2-1/2	67.98
KOM-3EB-34-05010	O-Ring Kit		33.65
KOM-3EB-63-05010	P-U-4	40 X 50 mm	149.80
KOM-3EB-63-05020	P-U-4	45 X 55 mm	67.20
KOM-3EB-64-05010	I-U-1	25 X 50 mm	53.19
KOM-3EB-64-05020	I-U-1	25 X 50 mm	81.46

Kit Number	Code (Pg. 14)	Rod X Bore Size	List Price
KOM-3EB-64-05020L	P-U-10	25 X 50mm	\$47.01
KOM-3EB-64-05050	I-U-1	30 X 70 mm	62.52
KOM-3EB-64-05050L	I-U-3	30 X 70 mm	56.59
KOM-3EB-64-05060	I-U-1	35 X 65 mm	55.26
KOM-3EB-64-05091	I-U-3	30 X 70 mm	45.99
KOM-3EB-64-05190	I-U-10	1-1/4 X 2-3/4	81.80
KOM-3EB-64-A2000	I-U-10	1-5/8 X 2-1/2	104.85
KOM-3EB-64-A5191	I-U-10	1-1/4 X 2-3/4	136.56
KOM-3EC-63-05020	P-U-4	50 X 70 mm	103.51
KOM-3EC-64-05010L	I-U-3	45 X 90 mm	64.93
KOM-3EC-64-05190	I-U-10	1-3/4 X 3-1/2	76.82
KOM-3EC-64-A2390	I-U-10	1 X 2	58.75
KOM-ON43001-07567	I-U-10	50 X 75 mm	170.77

LULL

Kit Number	Code (Pg. 14)	Rod X Bore Size	List Price
LULL-3586-34	I-U-10	1-1/8 X 3	\$50.43

Kit Number	Code (Pg. 14)	Rod X Bore Size	List Price
LULL-P19382	I-U-10	1-1/8 X 2-1/2	\$29.48

MITSUBISHI LIFT TRUCKS

NOTE: Mitsubishi part numbers are used as a reference only. We do not imply that these kits are original REPLACEMENT PARTS.

Kit Number	Code (Pg. 14)	Rod X Bore Size	List Price
MIT-91254-10330	P-U-10	22 X 45mm	\$75.38
MIT-91254-30330	P-U-10	22 X 45mm	66.43
MIT-91255-11120	I-U-10	22.4 X 45 mm	67.07
MIT-91273-30150	Valve Kit		9.54
MIT-91273-30220	Valve Kit		9.30
MIT-91854-15310	I-U-10	25 X 55 mm	60.43
MIT-91854-40230	P-U-10	25 X 55 mm	78.07
MIT-91872-22120	Valve Kit		13.86
MIT-93051-00028	I-U-4	2 in X 75 mm	193.47
MIT-93051-10068	I-U-4	40 X 50 mm	81.94
MIT-94004-00120	P-UB-1	30 mm Rod Kit	61.71
MIT-94004-00130	N-N-15	63 mm Piston Kit	92.13
MIT-94104-00110	N-N-13	70 mm Piston Kit	115.40
MIT-94104-00120	P-UB-1	35 mm Rod Kit for 70 mm Bore	64.76
MIT-94104-00170	I-U-10	30 X 63 mm	83.64
MIT-94114-00110	I-U-4	50 X 70 mm	134.26
MIT-94114-00210	I-U-4	60 X 70 mm	75.35
MIT-94119-00018	I-U-1	70 mm Rod Kit	73.89
MIT-94119-00048	I-U-1	50 mm Rod Kit	34.94
MIT-94119-00068	P-U-1	32 mm Rod Kit	63.89
MIT-94119-00088	P-U-1	32 mm	67.93
MIT-94133-00018	I-N-4	40 X 50 mm	105.99
MIT-94151-00018	P-U-1	70 mm Rod Kit	78.45
MIT-94151-00028	P-U-1	70 mm Rod Kit	84.46
MIT-94162-00018	P-U-4	35 X 45 mm	72.44

Kit Number	Code (Pg. 14)	Rod X Bore Size	List Price
MIT-94204-10120	I-U-10	35 X 70 mm	\$40.72
MIT-94219-00018	P-U-1	35 mm Rod Kit	26.58
MIT-94219-00028	P-U-1	35 mm Rod Kit	42.99
MIT-94251-00018	I-U-1	75 mm Rod Kit	74.39
MIT-94251-00038	P-U-1	75 mm Rod Kit	102.40
MIT-94251-00058	P-U-1	75 mm Rod Kit	79.81
MIT-94262-00028	P-U-4	40 X 50 mm	137.96
MIT-94304-00110	N-N-13	80 mm Piston Kit	128.13
MIT-94304-00120	P-UB-1	35 mm Rod Kit for 80 mm Bore	73.00
MIT-94304-10140	I-U-10	35 X 80 mm	61.30
MIT-94314-00110	I-U-1	65 X 80 mm	75.47
MIT-94319-00018	I-U-1	60 mm Rod Kit	40.39
MIT-94319-00038	I-U-1	85 mm Rod Kit	70.53
MIT-94319-00068	P-U-1	40 mm Rod Kit	28.40
MIT-94319-00088	I-U-1	40 mm Rod Kit	90.52
MIT-94351-00018	I-U-1	80 mm Rod Kit	53.79
MIT-94351-00028	P-U-1	45 X 55 mm	160.41
MIT-94351-00038	P-U-1	85 mm Rod Kit	108.12
MIT-94351-00068	P-U-1	85 mm Rod Kit	102.19
MIT-94362-00018	P-U-1	45 X 55 mm	160.41
MIT-94404-00120	P-UB-3	45 X 90 mm	96.78
MIT-94404-10140	I-U-10	40 X 80 mm	144.73
MIT-94404-10160	I-U-10	40 X 90 mm	120.42
MIT-94504-02090	P-U-1	40 X 100 mm	80.26

MANITOU

Kit Number	Code (Pg. 14)	Rod X Bore Size	List Price
MATU-198447	P-U-1	100	\$106.47
MATU-198641	P-U-15	60 X 125	59.84
MATU-548990	P-U-15	55 X 110	44.60
MATU-550139	P-U-10	65 X 120	126.58
MATU-551774	P-U-10	65 X 85	114.70
MATU-552384	P-U-10	50 X 80	125.96
MATU-563202	P-U-10	75 X 140	170.13
MATU-746367	P-U-15	70 X 120	50.62
MATU-746369	P-U-15	70 X 110	58.49

REPLACEMENT KITS FOR NISSAN LIFT TRUCKS

NOTE: A cylinder number will help in determining the proper kit part number. If no cylinder number is available, furnish rod and bore sizes and description of parts.

NISSAN

Kit Number	Code (Pg. 14)	Rod X Bore Size	List Price
NN-49440-00H00	MOTOR KIT		\$14.40
NN-49510-L6025	P-U-10	25 X 55 mm	112.21
NN-49599-11H00	P-U-10	40 X 60 Double Rod	153.80
NN-49599-51K00	P-U-10	40 X 65 mm	153.70
NN-49599-FC000	I-U-10	40 mm X 2-3/8	126.31
NN-58099-00H00	P-U-4	35 X 45 mm	105.92
NN-58099-00H60	P-U-4	35 X 45 mm	75.18
NN-58099-0G211	I-U-4	2 in X 75 mm	53.90
NN-58099-0G511	I-U-4	2 in X 80 mm	180.28
NN-58099-10H00	P-U-5	40 X 50 mm	183.32
NN-58099-10H60	P-U-4	40 X 50 mm	69.98
NN-58099-20H12	P-U-4	45 X 60 mm	124.98
NN-58099-20H62	P-U-4	45 X 60 mm	64.86
NN-58099-23H00	P-U-1	45 X 55 mm	90.80
NN-58099-23H60	P-U-4	45 X 55 mm	79.68
NN-58099-31K11	I-U-4	2" X 2-3/4"	70.59
NN-58099-51H10	P-U-14	50 X 70 mm	143.16
NN-58099-51H60	P-U-4	50 X 65 mm	65.94
NN-58099-51H70	P-U-4	50 X 70 mm	108.07
NN-58099-L2600	P-U-4	40 X 50 mm	171.96
NN-58099-L4900	P-U-1	55 mm Rod Kit	93.37
NN-58099-L6000	P-U-4	50 X 70 mm	211.25
NN-58099-L6001	P-U-4	60 X 70 mm	225.45
NN-58099-L900	P-U-1	55 mm Rod Kit	93.37
NN-58099-L9010	P-U-4	60 X 80 mm	121.18
NN-58099-L9016	P-U-15	65 X 80 mm	125.14
NN-58199-L1100	I-U-4	50 X 70 mm	192.39
NN-58199-L1300	I-U-4	60 X 80 mm	210.44
NN-58199-L1400	I-U-4	45 X 65 mm	183.41
NN-58199-L1700	I-U-4	50 X 70 mm	192.39
NN-58199-L6000	I-U-4	65 X 90 mm	217.87
NN-58199-L6100	I-U-4	70 X 100 mm	225.66
NN-58299-01H00	P-U-1	32 mm Rod Kit	75.40
NN-58299-11H00	P-U-1	35 X 55 mm	83.64
NN-58299-L1100	I-U-1	60, 80, 112mm Stages	165.37

Kit Number	Code (Pg. 14)	Rod X Bore Size	List Price
NN-58399-L1100	I-U-4	60 X 90 mm	\$215.60
NN-58499-02H10	P-U-1	70 mm Rod Kit	110.50
NN-58499-12H11	P-U-1	75 X 85 mm	143.32
NN-58499-22H10	P-U-1	90 mm Rod Kit	127.51
NN-58499-25H10	P-U-1	80 mm Rod Kit	144.18
NN-58499-6G500	I-U-4	2 in X 60 mm	194.79
NN-58499-L1100	I-U-1	80 mm Rod Kit	101.33
NN-58499-L1101	I-U-1	50 mm Rod Kit	64.54
NN-58499-L1102	I-U-1	50 mm Rod Kit	67.90
NN-58499-L1400	I-U-1	70 mm Rod Kit	86.49
NN-58499-L1401	I-U-1	45 mm Rod Kit	60.13
NN-58499-L1402	I-U-1	45 mm Rod Kit	63.32
NN-58499-L6000	I-U-4	70 X 100 mm	187.68
NN-58499-L6001	P-U-1	65mm Rod Kit	106.05
NN-58499-L7401	P-U-1	45 mm Rod Kit	51.81
NN-58699-00H00	P-U-1	25 X 65 mm	107.02
NN-58699-05H00	P-U-1	30 X 65 mm	99.04
NN-58699-10H00	P-U-3	30 X 70 mm	107.69
NN-58699-14H00	P-U-3	35 X 70 mm	111.30
NN-58699-20H00	P-U-1	35 X 80 mm	83.05
NN-58699-21H00	P-U-1	40 X 80 mm	100.37
NN-58699-51K00	P-U-3	30 X 60 mm	63.46
NN-58699-L1125	I-U-1	35 mm Rod Kit	70.70
NN-58699-L1126	I-U-1	35 mm Rod Kit	75.06
NN-58699-L1425	I-U-1	30 mm Rod Kit	75.06
NN-58699-L1426	I-U-1	30 mm Rod Kit	66.43
NN-58699-L6000	I-U-1	40 mm Rod Kit	75.97
NN-58699-L6011	I-U-1	40 mm Rod Kit	82.17
NN-58699-L6800	I-U-1	45 mm Rod Kit	85.28
NN-58699-L6811	I-U-1	45 mm Rod Kit	91.83
NN-58699-L8100	I-U-1	35 X 80 mm	52.64
NN-58699-L9000	I-U-1	50mm Rod Kit	87.58
NN-58699-L9010	I-U-1	50 X 100 mm	105.84
NN-69399-90H00		9/16" Valve Kit	11.87
NN-69399-L1202		9/16" Valve Kit	35.39

REPLACEMENT PARTS FOR NISSAN EQUIPMENT

NOTE: Nissan part numbers are used as a reference only. We do not imply that these kits are original REPLACEMENT PARTS.

O-RINGS

Part Number	Min Pkg Qty	List Price
NN-49516-L6004	10	\$1.27
NN-49526-L6004	10	4.65
NN-58117-L6000	20	1.05
NN-58122-L0700	2	6.29
NN-58123-L1100	5	2.64
NN-58123-L1300	5	2.56
NN-58123-L1400	10	1.68
NN-58124-L1300	5	9.19
NN-58124-L1400	10	2.13
NN-58124-L6100	5	3.03
NN-58142-L0800	5	3.61
NN-58185-48570	5	9.19
NN-58225-47600	2	4.93
NN-58245-47701	25	0.50
NN-58248-47230	2	8.07
NN-58251-48570	2	6.87
NN-58417-L1100	10	2.05
NN-58423-L1100	2	7.53
NN-58423-L1400	2	7.10
NN-58424-L1100	5	2.99
NN-58424-L1400	5	3.46
NN-58624-L3100	5	2.59
NN-58624-L6800	5	2.66
NN-58634-L3100	25	0.50
NN-69386-L1106	20	0.83
NN-69399-L2500	10	3.46
NN-85225-47600	2	4.93
NN-E8122-F8101	10	1.92
NN-G9386-L1106	20	0.83

PISTON U-SEALS

Part Number	Bore Dia.	List Price
NN-58140-L1401	65 mm	\$52.99
NN-58140-L1100	70 mm	52.99
NN-58140-L6000	90 mm	62.60
NN-58140-L6100	100 mm	62.60

U-SEALS

Part Number	Rod Dia.	List Price
NN-49522-L6004	25 mm	\$4.33
NN-58621-L1400	30 mm	15.87
NN-58621-L1100	35 mm	18.70
NN-58221-24H00	38 mm	18.18
NN-58621-L3100	40 mm	16.85
NN-58121-L1400	45 mm	19.87
NN-58242-L1400	65 mm	21.16
NN-30961-08012	80 mm	39.38

BUSHINGS

Part Number	Rod Dia.	List Price
NN-49521-FC000	60 mm	\$5.09

WIPERS

Part Number	Rod Dia.	List Price
NN-49524-L6004	25 mm	\$23.15
NN-58622-L1400	30 mm	10.79
NN-58222-01H01	32 mm	28.79
NN-58222-24H01	38 mm	39.31
NN-58622-L3100	40 mm	9.49
NN-58122-L1400	45 mm	10.20
NN-58017-L1300	50 mm	32.72
NN-58122-L1100	50 mm	9.11
NN-58017-L4900	55 mm	37.39
NN-58017-L6007	60 mm	40.52
NN-58122-L1300	60 mm	11.83
NN-58243-L1400	65 mm	12.60
NN-58453-L6000	65 mm	42.97
NN-58422-L1400	70 mm	13.14
NN-58243-L1100	80 mm	14.55

RAYMOND LIFT TRUCKS

RAYMOND

Kit Number	Code (Pg. 14)	Rod X Bore Size	List Price
RAY-400-148-01	O-RING KIT		\$9.83
RAY-500-412-02	O-RING KIT		17.25
RAY-520-037-15	O-RING KIT		0.97
RAY-520-038-12	O-RING KIT		9.83
RAY-520-041-01	O-RING KIT		9.23
RAY-520-044-01	O-RING KIT		9.83
RAY-520047004	P-U-10	3/4 X 1-3/4	62.63
RAY-520-053-01	O-RING KIT		9.83
RAY-520-066-01	O-RING KIT		11.49
RAY-520-077-01	VALVE KIT		48.70
RAY-520-817-08	O-RING KIT		9.83
RAY-520-899-113	O-RING KIT		5.24
RAY-53072101	I-U-11	3/4 X 2-1/2	40.32
RAY-530-722-02	I-U-11	1 X 2-1/2	41.14

Kit Number	Code (Pg. 14)	Rod X Bore Size	List Price
RAY-53072702	P-U-1	1-3/4	\$197.78
RAY-53073101	I-U-11	1-1/4 X 2-1/2	40.97
RAY-53073102	I-U-11	1-1/4 X 3	58.18
RAY-54004105	P-OB-10	3/4 X 1-3/4	76.25
RAY-540041105	P-OB-10	3/4 X 1-3/4	53.09
RAY-540-043-07	P-OB-10	3/4 X 1-3/4	68.44
RAY-540-046-05	P-OB-10	3/4 X 1-3/4	98.12
RAY-540-052-01	SEAL KIT		5.96
RAY-540-056-06	SEAL KIT		10.98
RAY-540067214	I-U-13	1-3/4 X 3-1/2	89.39
RAY-540113269	I-U-13	1-3/4 X 3-1/2	67.17
RAY-870-460-217	VALVE KIT		31.34
RAY-870-607-26	VALVE KIT		17.04

REPLACEMENT KITS FOR TCM LIFT TRUCKS

Kit Number	Code (Pg. 14)	Rod X Bore Size	List Price
TCM-20804-59801	P-U-10	25 X 60 mm	\$94.32
TCM-210F0-89804	P-U-4	35 X 45 mm	173.00
TCM-210F8-49804	P-U-4	35 X 46 mm	120.16
TCM-214A0-59801	P-U-10	75 X 90 mm	201.22
TCM-214A0-59821	P-U-1	35 X 45 mm	105.92
TCM-214A0-89804	P-U-4	40 X 50 mm	121.07
TCM-214A4-59801	P-U-10	25 X 50 mm	89.18
TCM-214A8-49804	P-U-4	40 X 50 mm	140.28
TCM-214A8-49812	P-U-4	40 X 50 mm	146.89
TCM-214A8-59801	P-U-5	32 X 71 mm	250.03
TCM-214J0-59812	P-U-1	40 X 50 mm	141.88
TCM-214J8-49804	P-U-4	45 X 55 mm	141.58
TCM-214T0-89811	P-U-4	50 X 60 mm	184.40
TCM-214T8-49801	P-U-4	50 X 60 mm	176.66
TCM-22438-49811	P-N-4	60 X 90 mm	168.47
TCM-22438-49812	P-N-4	60 X 90 mm	81.35
TCM-22438-59804	P-U-5	40 X 90 mm	273.27
TCM-224T8-49803	P-U-1	50 X 65 mm	151.07
TCM-22578-49801	P-N-4	45 X 63 mm	170.90
TCM-22580-89801	P-N-4	45 X 70 mm	121.07
TCM-22678-59801	P-U-5	32 X 80 mm	143.71
TCM-228C0-59801	P-U-1	112 X 130 mm	582.84
TCM-23460-89801	P-N-4	50 X 90 mm	135.83
TCM-234A8-49803	P-U-4	40 X 50 mm	101.67
TCM-234A8-59805	P-U-5	30 X 71 mm	181.90
TCM-234F8-49801	P-U-4	45 X 55 mm	109.14
TCM-23650-59801	P-U-1	35 X 45 mm	125.56
TCM-23650-59802	P-U-1	35 X 45 mm	97.77
TCM-23650-89802	P-U-1	40 X 50 mm	121.53
TCM-23650-89803	P-N-4	40 X 50 mm	104.35
TCM-23650-89822	P-U-1	75 X 90 mm	189.29
TCM-23650-89841	P-U-1	40 mm	83.00

Kit Number	Code (Pg. 14)	Rod X Bore Size	List Price
TCM-23654-52201	I-U-10	25 X 60 mm	\$75.53
TCM-23658-59811	P-U-5	32 X 70 mm	186.20
TCM-23658-59813	P-U-5	32 X 70 mm	186.20
TCM-23678-59801	P-U-5	32 X 71 mm	169.30
TCM-24239-49801	P-N-4	38 X 45 mm	131.83
TCM-24239-49804	P-U-1	35 X 45 mm	129.66
TCM-24240-89801	P-U-1	70 X 80 mm	109.45
TCM-24248-59802	P-U-5	30 X 63 mm	240.35
TCM-24248-59807	P-U-5	30 X 63 mm	165.60
TCM-24328-59804	P-U-5	50 X 100 mm	274.15
TCM-24450-89803	P-U-1	85 mm	123.26
TCM-24450-89823	P-N-4	45 X 55 mm	123.81
TCM-24458-59812	P-U-10	32 X 71 mm	264.31
TCM-24469-49803	P-U-4	45 X 55 mm	85.52
TCM-24600-89902	P-U-1	50 X 60 mm	243.02
TCM-24608-59803	P-U-10	50 X 90 mm	242.22
TCM-25594-59802	P-U-10	22 X 50 mm	104.13
TCM-25954-59802	P-U-10	25 X 60 mm	75.13
TCM-26094-17161	VALVE KIT		15.95
TCM-27248-49801	P-N-4	50 X 80 mm	151.95
TCM-27390-59801	P-U-10	70 X 80 mm	218.33
TCM-27390-59902	P-U-1	32 mm Rod Kit	175.50
TCM-27410-89811	P-U-1	75 mm	101.37
TCM-277H8-59802	P-U-5	30 X 63 mm	165.91
TCM-27830-89802	P-U-10	85 X 100 mm	267.58
TCM-510F0-59801	P-U-1	32 X 45 mm	150.24
TCM-510F2-40601	P-U-10	40 X 70 mm	389.99
TCM-514A2-40552	P-U-10	50 X 80 mm	408.41
TCM-514A2-40554	P-U-10	50 X 80 mm	321.05
TCM-514A2-42631	VALVE KIT		16.28
TCM-52486-09811	VALVE KIT		38.08

PISTON SEALS FOR TCM EQUIPMENT

Part Number	Bore Diam.	List Price
TCM-24458-50311	71 mm	\$38.01

TOYOTA LIFT TRUCKS

TOYOTA

Kit Number	Code (Pg. 14)	Rod X Bore Size	List Price
TOY-04431-30091-71	P-U-5	60 X 90 mm	\$381.73
TOY-04433-10010-71	P-U-10	40 X 60 mm	158.49
TOY-04433-10020-71	P-U-10	40 X 60 mm	99.29
TOY-04433-10101-71	I-U-10	40 X 60 mm	104.24
TOY-04433-20011-71	I-U-10	50 X 75 mm	307.63
TOY-04433-20030-71	I-U-10	50 X 80 mm	263.73
TOY-04433-U1010-71	I-U-10	40 mm X 2-3/8 in	78.92
TOY-04433-U2040-71	I-U-10	50 mm X 3	74.97
TOY-04433-U2050-71	I-U-10	50 mm X 3	293.88
TOY-04433-U3010-71	I-U-10	50 mm X 3-1/8 in	293.88
TOY-04451-10070-71	P-V-12	22 X 40 mm	110.47
TOY-04451-10090-71	P-V-12	22 X 40 mm	122.24
TOY-04451-10220-71	VALVE KIT		24.82
TOY-04451-10120-71	P-U-12	22 X 45 mm	113.99
TOY-04451-20100-71	P-V-12	22 X 50 mm	122.70
TOY-04451-20101-71	P-U-12	22 X 50 mm	130.83
TOY-04451-20170-71	P-V-12	22 X 50 mm	124.09
TOY-04451-20171-71	P-U-12	22 X 50 mm	124.58
TOY-04455-U2010-71	OVERHAUL STEER KIT		117.72
TOY-04456-10020-71	P-U-10	22 X 50 mm	80.91
TOY-04456-10031-71	P-U-5	30 X 55 mm	241.62
TOY-04456-10050-71	P-U-12	22 X 45 mm	103.04
TOY-04456-20010-71	P-U-12	22 X 40 mm	117.90
TOY-04456-20020-71	P-U-12	22 X 40 mm	110.70
TOY-04456-20030-71	N-U-12	22 X 50 mm	93.64
TOY-04456-20060-71	I-U-12	22 X 50 mm	53.76
TOY-04456-30010-71	P-U-1	25 X 55 mm	86.65
TOY-04456-30011-71	P-U-12	25 X 55 mm	116.46
TOY-04651-10060-71	P-N-4	50 X 80 mm	106.56
TOY-04651-10132-71	P-U-5	30 X 80 mm	142.48
TOY-04651-10330-71	P-U-5	30 X 70 mm	112.28
TOY-04651-10333-71	P-U-5	30 X 70 mm	165.73
TOY-04651-10334-71	P-U-5	30 X 70 mm	165.73
TOY-04651-10652-71	P-U-4	50 X 65 mm	170.09
TOY-04651-10662-71	P-U-4	50 X 65 mm	170.09
TOY-04651-10671-71	P-U-1	70 mm Rod Kit	144.01
TOY-04651-10870-71	P-U-1	70 X 80 mm	164.19
TOY-04651-10871-71	P-U-1	70 mm Rod Kit	144.01
TOY-04651-10882-71	P-U-5	30 X 70 mm	165.73
TOY-04651-10892-71	P-U-5	30 X 70 mm	165.73
TOY-04651-11032-71	P-U-1	35 X 50 mm	100.86
TOY-04651-11061-71	P-U-4	40 X 50 mm	118.35
TOY-04651-11250-71	P-U-1	75 X 90 mm	243.49
TOY-04651-11261-71	P-U-1	35 X 50 mm	100.28
TOY-04651-11270-71	P-U-1	75 X 90 mm	245.88
TOY-04651-11271-71	P-U-1	75 mm Rod Kit	154.48
TOY-04651-11290-71	P-U-4	40 X 50 mm	117.70
TOY-04651-11291-71	P-U-4	40 X 50 mm	116.97
TOY-04651-11300-71	N-U-4	50 X 65 mm	126.34
TOY-04651-11390-71	P-U-4	40 X 50 mm	126.67
TOY-04651-20132-71	P-U-1	60 X 70 mm	178.05
TOY-04651-20133-71	P-U-4	60 X 70 mm	197.66
TOY-04651-20141-71	P-U-4	50 X 70 mm	145.40
TOY-04651-20142-71	P-U-4	50 X 70 mm	165.54
TOY-04651-20151-71	P-V-5	30 X 70 mm	261.16
TOY-04651-20182-71	P-U-4	60 X 75 mm	171.82
TOY-04651-20184-71	P-U-1	75 X 90 mm	176.86
TOY-04651-20185-71	P-U-1	75 X 90 mm	176.86

Kit Number	Code (Pg. 14)	Rod X Bore Size	List Price
TOY-04651-20186-71	P-U-1	75 X 90 mm	\$245.88
TOY-04651-20260-71	P-U-1	50 X 70 mm	116.49
TOY-04651-20262-71	P-U-1	50 X 70 mm	147.16
TOY-04651-20262-71	P-U-1	50 X 70 mm	147.16
TOY-04651-20390-71	P-U-4	50 X 70 mm	175.09
TOY-04651-20400-71	P-U-4	60 X 70 mm	192.08
TOY-04651-20421-71	P-U-4	50 X 70 mm	167.46
TOY-04651-20441-71	P-U-5	30 X 70 mm	104.31
TOY-04651-20442-71	P-U-5	30 X 70 mm	165.73
TOY-04651-20841-71	P-U-1	75 X 90 mm	246.26
TOY-04651-20970-71	P-U-1	75 X 90 mm	245.88
TOY-04651-20971-71	P-U-1	75 mm Rod Kit	154.83
TOY-04651-20980-71	P-U-4	40 X 50 mm	96.31
TOY-04651-20992-71	P-U-1	35 X 50 mm	100.28
TOY-04651-21150-71	P-U-4	40 X 50 mm	97.03
TOY-04651-21151-71	P-U-4	40 X 50 mm	117.70
TOY-04651-21290-71	P-U-4	40 X 50 mm	97.03
TOY-04651-21310-71	P-U-1	35 X 50 mm	99.61
TOY-04651-21340-71	P-U-1	35 X 50 mm	100.28
TOY-04651-21350-71	P-U-4	40 X 50 mm	124.97
TOY-04651-30111-71	P-N-4	60 X 100 mm	135.19
TOY-04651-30170-71	P-U-5	40 X 100 mm	160.53
TOY-04651-30181-71	I-U-1	30 X 90 mm	152.74
TOY-04651-30211-71	P-N-4	60 X 80 mm	158.76
TOY-04651-30212-71	P-U-4	60 X 80 mm	165.73
TOY-04651-30561-71	P-U-4	60 X 80 mm	180.50
TOY-04651-30841-71	P-U-1	90 X 105 mm	221.94
TOY-04651-30842-71	P-U-1	90 X 105 mm	300.04
TOY-04651-30911-71	P-U-1	60 X 80 mm	158.42
TOY-04651-30920-71	P-U-4	60 X 80 mm	183.61
TOY-04651-30980-71	P-U-4	60 X 80 mm	127.38
TOY-04651-30991-71	P-U-5	40 X 100 mm	117.08
TOY-04651-31170-71	P-U-1	55 X 65 mm	140.37
TOY-04651-31180-71	P-U-4	50 X 65 mm	162.45
TOY-04651-31181-71	P-U-4	50 X 65 mm	148.22
TOY-04651-31210-71	P-U-1	90 X 105 mm	302.49
TOY-04651-31211-71	P-U-1	85 X 105 mm	363.79
TOY-04651-31220-71	P-U-1	40 X 60 mm	96.50
TOY-04651-31230-71	P-U-1	40 X 60 mm	97.19
TOY-04651-31240-71	P-U-1	55 X 65 mm	142.64
TOY-04651-31250-71	P-U-1	55 X 65 mm	143.32
TOY-04651-31280-71	P-U-4	50 X 65 mm	159.95
TOY-04651-31281-71	P-U-4	50 X 65 mm	145.76
TOY-04651-31282-71	P-U-4	50 X 65 mm	122.86
TOY-04651-31290-71	P-U-4	60 X 90 mm	180.14
TOY-04651-31302-71	P-U-1	95 mm Rod Kit	184.84
TOY-04651-31311-71	P-U-1	105 mm Rod Kit	186.89
TOY-04651-31410-71	P-U-1	45 X 65 mm	121.65
TOY-04651-31420-71	P-U-1	45 X 65 mm	124.09
TOY-04651-31430-71	P-U-1	55 X 65 mm	144.01
TOY-04651-31440-71	P-U-1	55 X 65 mm	138.63
TOY-04651-31450-71	P-U-4	70 X 90 mm	226.45
TOY-04651-31500-71	P-U-4	45 X 55 mm	125.14
TOY-04651-31510-71	P-U-4	45 X 55 mm	124.41
TOY-04651-31520-71	P-U-4	45 X 55 mm	126.86
TOY-04651-31530-71	P-U-4	45 X 55 mm	122.37
TOY-04651-31800-71	P-U-4	55 X 80 mm	146.55
TOY-04651-31810-71	P-U-4	55 X 80 mm	136.78

TOYOTA LIFT TRUCKS

Kit Number	Code (Pg. 14)	Rod X Bore Size	List Price
TOY-04651-31820-71	P-U-5	70 X 120 mm	\$361.04
TOY-04651-31830-71	P-U-5	70 X 110 mm	112.01
TOY-04652-10020-71	P-U-1	70 X 80 mm	231.13
TOY-04652-10030-71	P-U-1	70 X 80 mm	231.13
TOY-04652-10170-71	P-U-1	70 mm Rod Kit	120.11
TOY-04652-10191-71	P-U-1	70 X 85 mm	84.15
TOY-04652-10300-71	P-U-10	50 X 70 mm	154.18
TOY-04652-20031-71	P-U-1	75 X 90 mm	187.96
TOY-04652-20040-71	P-U-1	75 X 90 mm	175.50
TOY-04652-20080-71	P-U-10	50 X 75 mm	158.73
TOY-04652-30010-71	P-U-1	90 X 105 mm	224.56
TOY-04652-30011-71	P-U-1	85 X 105 mm	220.02
TOY-04652-30020-71	P-U-1	40 X 60 mm	97.19
TOY-04652-30030-71	P-U-1	40 X 60 mm	96.50
TOY-04652-30040-71	P-U-1	50 X 70 mm	128.74
TOY-04652-30050-71	P-U-1	50 X 70 mm	131.24
TOY-04652-30131-71	P-U-1	85 X 105 mm	219.54
TOY-04652-30132-71	P-U-1	85 X 105 mm	127.31
TOY-04652-30150-71	P-U-1	85 X 105 mm	206.84
TOY-04652-U1020-71	I-U-4	2 X 2-3/4	208.89
TOY-04652-U2010-71	I-U-4	50 X 75 mm	184.56
TOY-04652-U2020-71	I-U-4	2" X 75 mm	161.77
TOY-04653-10020-71	P-U-4	35 X 45 mm	113.13
TOY-04653-10030-71	P-U-4	35 X 45 mm	111.91
TOY-04653-10040-71	P-U-4	35 X 45 mm	113.13
TOY-04653-10050-71	P-U-4	35 X 45 mm	112.45
TOY-04653-10060-71	P-U-1	35 X 50 mm	102.40
TOY-04653-10170-71	P-U-1	35 mm	59.27
TOY-04653-10500-71	P-U-1	35 X 45 mm	48.56
TOY-04653-10530-71	P-U-4	35 X 45 mm	43.35
TOY-04653-20071-71	P-U-4	40 X 50 mm	126.67
TOY-04653-20081-71	P-U-4	40 X 50 mm	127.52
TOY-04653-20090-71	P-U-1	35 X 50 mm	109.17
TOY-04653-20100-71	P-U-1	35 mm Rod Kit	94.91
TOY-04653-20110-71	P-U-1	35 X 50 mm	72.65
TOY-04653-20130-71	P-U-1	40 X 50 mm	97.64
TOY-04653-20230-71	P-U-4	50 X 63 mm	71.97
TOY-04653-30010-71	P-U-1	55 X 65 mm	141.09
TOY-04653-30020-71	P-U-1	55 X 65 mm	141.09
TOY-04653-30030-71	P-U-1	115 mm Rod Kit	278.29
TOY-04653-30050-71	P-U-5	45 X 55 mm	122.86
TOY-04653-30060-71	P-U-4	45 X 55 mm	126.14
TOY-04653-30111-71	P-U-1	90 mm	68.24
TOY-04653-30211-71	P-U-4	45 X 55 mm	121.83
TOY-04653-30221-71	P-U-4	45 X 55 mm	132.93
TOY-04653-30230-71	P-U-1	40 X 55 mm	122.37
TOY-04653-30231-71	P-U-1	40 X 55 mm	79.24
TOY-04653-30240-71	P-U-1	40 X 55 mm	110.70
TOY-04653-30310-71	P-U-3	50 X 70 mm	64.86
TOY-04653-U1010-71	I-U-1	32 mm X 1-3/4	51.99
TOY-04653-U1011-71	I-U-1	32 mm X 1-3/4	123.52
TOY-04653-U2010-71	I-U-4	1-3/8 X 2	87.33
TOY-04653-U3010-71	I-U-1	40 mm X 2-1/8	51.99
TOY-04654-10020-71	P-U-4	35 X 45 mm	113.32
TOY-04654-10030-71	P-U-4	35 X 45 mm	112.45
TOY-04654-20020-71	P-U-1	40 X 50 mm	97.64
TOY-04654-30020-71	P-U-4	45 X 55 mm	176.44
TOY-04654-30030-71	P-U-4	45 X 55 mm	172.83

Kit Number	Code (Pg. 14)	Rod X Bore Size	List Price
TOY-04654-U1010-70	I-U-4	1-3/8 X 1-3/4	\$55.09
TOY-04654-U1010-71	I-U-1	1-3/8 X 1-3/4	55.09
TOY-04654-U2010-71	I-U-4	42 X 50 mm	189.28
TOY-04654-U3010-71	I-U-4	45 X 55 mm	92.17
TOY-04655-20030-71	P-U-5	30 X 70 mm	148.73
TOY-04655-20080-71	P-U-5	30 X 70 mm	100.20
TOY-04655-20090-71	I-U-13	30 X 70 mm	214.27
TOY-04655-30040-71	P-U-5	40 X 90 mm	175.25
TOY-04655-30041-71	P-U-5	40 X 90 mm	189.65
TOY-04655-30300-71	P-U-5	45 X100 mm	132.40
TOY-04655-U1010-71	I-U-10	30 X 70 mm	255.61
TOY-04655-U2010-71	I-U-10	1-1/4 X 2-3/4	136.28
TOY-04655-U3010-71	I-U-10	1-1/4 X 3	153.21
TOY-04671-20380-71	VALVE KIT		33.91
TOY-04671-20390-71	VALVE KIT		78.89
TOY-04676-20370-71	VALVE KIT		30.72
TOY-04676-20380-71	VALVE KIT		36.90
TOY-04676-20421-71	VALVE KIT		22.92
TOY-04676-20431-71	VALVE KIT		26.07
TOY-04676-20441-71	VALVE KIT		25.33
TOY-04676-20491-71	VALVE KIT		21.77
TOY-04676-20501-71	VALVE KIT		22.92
TOY-04676-20511-71	VALVE KIT		24.26
TOY-04676-20521-71	VALVE KIT		26.36
TOY-04676-20560-71	VALVE KIT		24.98
TOY-04676-20570-71	VALVE KIT		48.81
TOY-04676-20580-71	VALVE KIT		24.26
TOY-04676-20590-71	VALVE KIT		21.31
TOY-04676-20600-71	VALVE KIT		29.09
TOY-04676-20680-71	VALVE KIT		18.04
TOY-04676-20690-71	VALVE KIT		29.16
TOY-04676-20700-71	VALVE KIT		26.05
TOY-04676-20722-71	VALVE KIT		21.57
TOY-04676-20742-71	O-RING KIT		26.93
TOY-04676-30311-71	VALVE KIT		19.92
TOY-04676-30312-71	VALVE KIT		21.31
TOY-04676-30313-71	VALVE KIT		17.87
TOY-04676-30331-71	VALVE KIT		26.36
TOY-04676-30332-71	VALVE KIT		21.60
TOY-04676-30341-71	VALVE KIT		71.07
TOY-04676-30342-71	VALVE KIT		32.30
TOY-04676-30620-71	VALVE KIT		24.96
TOY-04676-30920-71	VALVE KIT		24.53
TOY-04676-30930-71	VALVE KIT		22.70
TOY-04676-30940-71	VALVE KIT		30.74
TOY-04676-30950-71	VALVE KIT		30.86
TOY-04676-30970-71	VALVE KIT		19.94
TOY-04676-30980-71	VALVE KIT		16.45
TOY-04676-30990-71	VALVE KIT		39.45
TOY-04676-31000-71	VALVE KIT		22.46
TOY-04676-31010-71	VALVE KIT		26.11
TOY-04676-31020-71	VALVE KIT		35.19
TOY-04676-31161-71	VALVE KIT		15.89
TOY-04676-31171-71	O-RING KIT		21.57
TOY-04676-U2010-71	VALVE KIT		42.05

TOYOTA

REPLACEMENT PARTS FOR TOYOTA EQUIPMENT

NOTE: Toyota part numbers are used as a reference only. We do not imply that these kits are original REPLACEMENT PARTS.

O-RINGS

Part Number	Min Pkg Qty	List Price
TOY-65592-U2200-71	20	\$0.32

U-SEALS

Part Number	Rod Dia.	List Price
TOY-77167-20100-71	80 mm	\$44.44

WIPERS

Part Number	Rod Dia.	List Price
TOY-65575-31620-71	40 mm	\$29.86

PISTON BUSHINGS

Part Number	Bore Dia.	List Price
TOY-65254-14180-71	90 mm	\$137.13

WHITE LIFT TRUCK

Kit Number	Code (Pg. 14)	Rod X Bore Size	List Price
WLT-20-7300283	I-U-4	1-3/4 X 4	\$96.30
WLT-20-7302715	I-U-10	1-1/2 X 3-1/2	53.67

Kit Number	Code (Pg. 14)	Rod X Bore Size	List Price
WLT-30-3305457	P-U-10	1-1/2 X 3-1/2	\$53.59

TOYOTA - WHITE

YALE LIFT TRUCKS

Kit Number	Code (Pg. 14)	Rod X Bore Size	List Price
YA-066414600	4-1/16 Rod Wiper		\$24.84
YA-5001689-04	4-1/16 ID Vee Set		62.08
YA-502566003	I-N-8	2-1/2 X 3-1/2	189.72
YA-502566004	I-N-8	2 X 3-1/2	181.27
YA-503130000	P-V-4	2 X 3-1/4	91.98
YA-504236229	P-U-10	2-1/8 X 2-3/4	109.82
YA-504236245	P-U-10	1-3/8 X 3	59.35
YA-504853000	I-U-5	1-1/4 X 3	135.10
YA-504857000	I-N-8	2-1/4 X 4	80.57
YA-5048620	I-N-8	1-3/4 X 2-1/2	38.46
YA-505136003	I-N-8	2-1/2 X 3-1/2	77.83
YA-505136004	I-N-8	2 X 3-1/2	65.06
YA-505136007	I-U-1	1-5/8 X 2-1/4	30.69
YA-505136008	I-U-1	1-5/16 X 2-1/4	30.05
YA-505136009	I-U-1	3-1/4" Rod	45.80
YA-505136010	I-U-1	1-7/8 X 2-1/2	28.88
YA-505136012	I-U-11	1-7/8 X 2-1/4	90.38
YA-505136013	I-U-1	2-5/8 Rod Kit	32.95
YA-505136014	I-U-1	3-3/4 Rod Kit	43.25
YA-505136015	I-U-10	2-5/8 X 3	137.58
YA-505136027	I-U-1	1-5/8 X 2	37.62
YA-505136028	i-u-4	1-3/8 x 2	123.41
YA-505136031	I-U-1	3 X 3-3/4	47.10
YA-505136035	I-U-4	1-3/8 X 2	77.03
YA-505136036	I-U-4	1-5/8 X 2	64.89
YA-505136037	I-U-12	1-3/8 X 2	79.94
YA-505136040	I-U-4	1-5/8 X 1-7/8	72.10
YA-505136059	I-U-1	1-1/4 X 1-3/4	37.57
YA-505142000	I-V-1	3-3/8, 4-1/16 Stages	152.90
YA-505143000	I-V-1	2-1/2, 3 Stages	109.25

Kit Number	Code (Pg. 14)	Rod X Bore Size	List Price
YA-505163001	I-U-1	1	\$24.07
YA-506787001	I-N-8	2-3/4 X 4-1/2	296.43
YA-506788001	I-N-8	2-3/4 X 4-1/2	129.32
YA-507016002	I-V-5	1-1/2 x 4	107.63
YA-509753000	I-V-12	1 X 2	50.65
YA-510078000	I-U-5	1 X 2-1/2	67.03
YA-510398000	I-V-1	2-1/4, 3, 3-3/4 Stages	230.84
YA-510659001	I-V-2	1-1/4 X 3-1/2	60.62
YA-512944003	I-U-10	1 X 2	32.72
YA-513355800	O-ring Kit		6.41
YA-514527000	I-V-1	3, 3-3/4 Stages	142.95
YA-515229000	I-U-4	2-1/4 X 3-3/4	69.91
YA-516149002	I-U-11	1 X 2	44.12
YA-516149005	I-U-11	1 X 2	35.25
YA-516149006	I-U-11	1-1/8 X 2-1/2	43.54
YA-5178128-17	Shaft Kit		2.95
YA-518617001	I-V-10	1-1/4 X 2-1/2	109.11
YA-519132600	I-U-5	1-3/4 X 3-1/2	76.48
YA-519675801	O-RING KIT		11.61
YA-580026957	P-U-10	2-1/8 X 2-3/4	53.12
YA-580060036	P-U-10	2-1/8 X 2-3/4	81.38
YA-900299851	65 mm, 80 mm	2 Stage	80.38
YA-900847850	P-U-10	25 X 60 mm	72.46
YA-900879850	I-U-3	35 X 80 mm	30.07
YA-901115850	P-U-1	32 mm Rod Kit	68.28
YA-9012238-07	P-U-10	40 X 70 mm	111.50
YA-9017888-10	P-U-10	35 X 70 mm	87.72
YA-9019058-52	P-U-10	35 X 65 mm	134.67
YA-9022018-50	Shaft Kit		19.75

YALE

HYDRAULIC CYLINDER JACK KITS - ENERPAC

Kit Number	Code (Pg. 14)	Rod X Bore Size	List Price
EPC-RC1006K	I-N-4	5-1/8	\$135.26
EPC-RC102K	I-N-4	1-11/16	49.82
EPC-RC15K1	I-N-4	2	77.62
EPC-RC2510K	I-N-4	2-1/2	78.21
EPC-RC308K	I-N-4	2-7/8	119.35
EPC-RC506K	I-N-4	3-3/4	88.62
EPC-RC50K1	N-N-4	1-1/8	28.05
EPC-RC53K	I-N-4	1-1/8	37.46
EPC-RC756K	I-N-4	4-1/2	207.81
EPC-RCH121K1	N-U-4	1 X 1-7/8	66.47

Repair Accessories

Contents	Page
Plastic Cap Plugs	194 - 198
Bolted Split Flange Protectors	198
Face and Thread Seals	199 - 200
Connector Rings	201
Wave Springs and Carbon Steel Shims	202 - 203
Lock Nuts	204 - 205
Self Aligning Bearings	206 - 207
Set Screws and Wind-In Lock Wires	208
Nylon and Filter Vent Plugs	208
Steel Plugs and Vents	209
Manual Bleeder Valves	209
Port Plugs	210-211
Split Tension Bushings	211
Adhesives and Seal Lube	212
Grease Fittings	212
PTFE and Silicone Tape	213
Cotter Pins	213
Nitrile Gloves	214
Couplings	214



Scan for:
Repair Accessories
on website

PLASTIC CAP PLUGS

CAP PLUG APPLICATION CHART

CAP-	NPT		INCH THREAD		METRIC THREAD	
	CAPS	PLUGS	CAPS	PLUGS	CAPS	PLUGS
00				10/32	M2,M2.5	M5
0				1/4	M3,M3.5	M6
1				5/16	M5	M8x1
1-X					M6	
2			15/64	3/8	M7	M10x1.25
2-X		1/8				
3				7/16	M8x1	M12
3-X			3/8			M12x1.25
4	1/8	1/4		1/2	M10x1.25	M14
4-X			7/16			M14x1.5
5			1/2	9/16		
5-X					M12x1.25	M16
6	1/4			5/8		
6-X		3/8	9/16			M18
7			5/8		M14x1.5	M18x1.5
7-X						
8				3/4		M20
8-X	3/8				M16x1.5	M20x1.5
9		1/2				M22
9-X			3/4			M22x1.5
10				7/8	M18x1.5	M24
11	1/2					M24x2
11-X			7/8		M20x1.5	
12		3/4				
12-X				1-1/16	M22x1.5	M27x2
13	3/4				M24x2	
13-X			1-1/16			M30x2
14		1			M27x2	M33
17		1-1/4			M36x3	
17-S				1-5/8		
18	1-1/4		1-5/8	1-3/4	M39x3	
19		1-1/2		1-7/8		
20	1-1/2		1-7/8			
20-S						
21						
220						
230			2-1/4			
24-S		2				
240	2					
250			2-1/2			

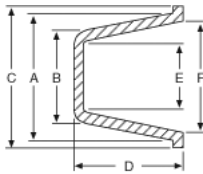


This style cap plug is equipped with a handy fold-down pull ring.

Tapered Caps & Plugs With Pull Ring

Part Number	NPT Port Size	OD Size Tapered	HT	Min Std Pkg	List Price
CAP-PR-9	1/8	.337/1.375	1/4	50	\$0.20
CAP-PR-12	1/4	.436/1.475	1/4	50	0.60
CAP-PR-17	3/8	.552/1.615	3/8	50	0.35
CAP-PR-22	1/2	.668/1.767	1/2	40	0.38
CAP-PR-27X	3/4	.878/1.977	1/2	40	0.42
CAP-PR-32	1	1.113/1.212	1/2	25	0.48
CAP-PR-39	1-1/4	1.505/1.580	1/2	25	0.61
CAP-PR-43	1-1/2	1.780/1.860	1/2	20	0.67
CAP-PR-50	2	2.226/2.258	1/2	20	0.84

PLASTIC CAP PLUGS



Tapered Caps & Plugs For Misc. Applications

Part Number	A	B	C	D	E	F	List Price
CAP-00	.180	.115	5/16	13/32	.051	.118	\$0.64
CAP-0	.240	.175	3/8	3/8	.109	.175	0.64
CAP-0-X	0.275	0.209	7/16	3/8	0.150	0.209	0.13
CAP-1	.302	.240	15/32	3/8	.175	.240	0.47
CAP-1-X	.335	.265	15/32	3/8	.240	.275	0.47
CAP-2	.365	.300	17/32	3/8	.234	.301	0.47
CAP-3	.428	.360	19/32	3/8	.299	.365	0.39
CAP-3-X	.460	.390	5/8	3/8	.325	.396	0.47
CAP-4-X	.512	.447	5/8	3/8	.385	.448	0.14
CAP-5	.547	.490	23/32	1/2	.409	.485	0.13
CAP-5-X	.568	.500	3/4	7/16	.435	.503	0.42
CAP-6	.620	.531	3/4	1/2	.468	.555	0.07
CAP-6A-X	0.576	0.500	0.720	0.470	0.440	0.516	0.29
CAP-7	.675	.590	7/8	17/32	.520	.605	0.35
CAP-7-X	.695	.610	27/32	1/5	.549	.634	0.36
CAP-8	.728	.641	7/8	1/2	.575	.665	0.09
CAP-8-X	.754	.675	7/8	5/8	.615	.690	0.09
CAP-9-X	.925	.725	1	3/4	.662	.760	0.18
CAP-10	.848	.750	1-1/32	5/8	.686	.785	0.42
CAP-11	.910	.802	1-3/32	3/4	.740	.846	0.35
CAP-11-X	.931	.820	1-1/8	5/8	.754	.868	0.09
CAP-12A-X	0.973	0.856	1-1/8	3/4	0.768	0.906	0.49
CAP-13	1.091	.966	1-1/4	3/4	.902	1.025	0.35
CAP-13-X	1.145	1.002	1-5/16	3/4	.938	1.079	0.13
CAP-14-X	1.285	1.180	1-7/16	3/4	1.105	1.215	1.08
CAP-16A-X	1.312	1.276	1.380	0.560	1.155	1.190	0.65
CAP-17A-X	1.507	1.344	1-3/4	15/16	1.282	1.450	0.41
CAP-18	1.680	1.560	1-7/8	3/4	1.497	1.620	0.29
CAP-20	1.958	1.806	2.125	1	1.745	1.893	1.16
CAP-20-X	2.310	1.940	2.470	0.880	1.875	2.255	0.70
CAP-21	2.078	1.902	2-1/4	1	1.839	2.015	1.05
CAP-38	1.045	.980	1-1/4	1/2	.916	.984	0.47
CAP-220	2.132	1.980	2-1/4	1	1.915	2.068	0.66
CAP-230	2.330	2.156	2-5/8	1	2.094	2.264	1.31
CAP-240	2.465	2.300	2-5/8	1	2.235	2.400	0.61
CAP-250	2.605	2.395	2-5/8	1	2.331	2.541	0.92

Tapered Caps & Plugs For NPT Style Ports

Part Number	NPT Port Size	OD Size Tapered	HT	Min Std Pkg	List Price
CAP-2-X	1/8	.330/.396	3/8	50	\$0.13
CAP-4	1/4	.419/.485	3/8	50	0.13
CAP-6-X	3/8	.550/.631	7/16	50	0.20
CAP-9	1/2	.690/.788	9/16	50	0.20
CAP-12	3/4	.870/.975	5/8	120	0.14
CAP-12-X	3/4	.915/1.040	11/16	25	0.52
CAP-14	1	1.094/1.215	3/4	25	0.38
CAP-15	1	1.225/1.355	3/4	3	0.65
CAP-15-X	1	1.235/1.350	3/4	25	0.70
CAP-17	1-1/4	1.450/1.600	3/4	60	0.41
CAP-17-S	1-1/4	1.513/1.600	1/2	25	1.58
CAP-19	1-1/2	1.735/1.870	3/4	25	0.65
CAP-20-S	1-1/2	1.781/1.805	3/8	25	0.42
CAP-24-S	2	2.230/2.260	1/2	20	1.47

MCAP Tapered Caps & Plugs For Misc. Applications



Part Number	A mm	B mm	C mm	D mm	E mm	F mm	List Price
CAP-M10X1	13.00	11.35	15.88	10.32	9.78	11.38	\$0.14
CAP-M12X1	14.43	12.70	19.05	11.11	11.05	12.78	0.31
CAP-M12X1.5	14.63	12.70	18.29	11.94	11.18	13.11	0.29
CAP-M14X1.5	17.15	14.99	22.23	13.49	13.21	15.37	0.35
CAP-M16X1.5	19.15	17.15	22.23	15.88	15.62	17.53	0.09
CAP-M18X1.5	21.54	19.05	26.19	15.88	17.42	19.74	0.42
CAP-M20X1.5	24.71	21.74	28.58	19.05	19.51	23.01	0.49
CAP-M22X1.5	26.42	22.73	29.37	19.05	21.13	24.77	0.52
CAP-M25X1.5	29.08	25.45	33.34	19.05	23.83	27.41	0.13
CAP-M26X1.5	29.08	25.45	33.34	19.05	23.83	27.41	0.13
CAP-M27	31.12	29.19	38.50	19.05	26.37	29.97	0.38
CAP-M28X1.5	32.81	29.59	36.10	19.05	27.69	30.61	1.08
CAP-M30X2	33.32	32.41	35.05	14.22	29.34	30.23	0.65
CAP-M35	38.53	34.14	44.45	23.81	32.56	36.83	0.41
CAP-M39	42.49	39.62	47.63	19.05	38.02	41.15	0.29
CAP-M4	6.99	5.31	11.11	9.53	3.81	5.31	0.13
CAP-M42X2	44.45	40.79	49.21	19.05	39.83	42.80	0.96
CAP-M45	49.73	45.87	53.98	25.40	44.32	48.08	1.16
CAP-M48	58.67	49.28	62.74	22.35	47.63	57.28	0.70
CAP-M5	7.67	6.1	11.91	9.53	4.45	6.1	0.47
CAP-M6	8.51	6.73	11.91	9.53	5.18	6.99	0.47
CAP-M8X1	10.87	9.14	15.08	9.53	7.59	9.27	0.39

PLASTIC CAP PLUGS



**Female Threaded Cap Plugs
for J.I.C. Fittings**

Part Number	Std Thread Size	O.D. Size Tube	Dash Size	Min Std Pkg	List Price
CAP-G-2	7/16-20	1/4	#4	20	\$0.38
CAP-G-8	9/16-18	3/8	#6	20	0.38
CAP-G-14	3/4-16	1/2	#8	20	0.42
CAP-G-18	7/8-14	5/8	#10	20	0.42
CAP-G-20	7/8-18	5/8	#10	20	0.93
CAP-G-22	1-1/16-12	3/4	#12	20	0.52
CAP-G-25	1-3/16-12	7/8	#14	20	0.61
CAP-G-27	1-5/16-12	1	#16	20	0.61



Flat Face Fitting Caps

Part Number	Tube Size OD	Thread Size	Min Std Pkg	List Price
CAP-PDF-40	1/4	9/16-18	25	\$0.60
CAP-PDF-60	3/8	11/16-16	25	0.52
CAP-PDF-80	1/2	13/16-16	25	0.90
CAP-PDF-100	5/8	1-14	20	0.62
CAP-PDF-120	3/4	1-3/16-12	20	1.22
CAP-PDF-160	1	1-7/16-12	10	3.43



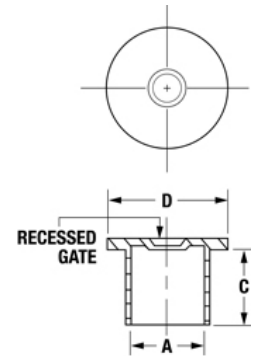
O-Ring Face Fitting Caps

These low density polyethylene caps are designed to fit female o-ring face seals.

Part Number	Thread Size	Min Std Pkg	List Price
CAP-OR-4	9/16-18	35	\$0.39
CAP-OR-6	11/16-16	25	0.44
CAP-OR-8	13/16-16	25	0.49
CAP-OR-10	1-14	25	0.61
CAP-OR-12	1-3/16-12	25	0.64
CAP-OR-16	1-7/16-12	15	1.47
CAP-OR-20	1-11/16-12	10	2.44



Unlike tear-tab closures that can only be used once, the CAP-PO series is designed to be reused. Specifically designed to protect straight threads with or without o-rings, this unique design is also ideal for use on a variety of thread forms and non-threaded fittings.



Straight Threaded Cap Plugs

Part Number	Min Std Pkg	To Cap Thread size	A	C	D	List Price
CAP-PO-20	25	7/16"	0.428	0.47	0.69	\$0.64
CAP-PO-30	25	1/2"	0.49	0.47	0.75	0.89
CAP-PO-40	25	9/16"	0.55	0.50	0.81	0.93
CAP-PO-50	25	11/16"	0.676	0.50	0.94	1.02
CAP-PO-55	25	-	0.721	0.67	1.00	1.08
CAP-PO-60	25	3/4"	0.738	0.67	1.00	1.08
CAP-PO-70	25	13/16"	0.802	0.56	1.06	1.12
CAP-PO-80	25	7/8"	0.864	0.66	1.12	1.15
CAP-PO-90	25	1.00"	0.99	0.66	1.25	1.21
CAP-PO-100	15	1-1/16"	1.051	0.75	1.31	1.28
CAP-PO-110	15	1-3/16"	1.175	0.75	1.44	1.56
CAP-PO-120	15	1-5/16"	1.298	0.75	1.56	1.76
CAP-PO-130	15	1-7/16"	1.426	0.75	1.69	2.17
CAP-PO-140	10	1-5/8"	1.12	0.85	1.88	2.40

**Cap Plug Assortment Kits
Also Available -
See the Kit & Tool Section**

PLASTIC CAP PLUGS



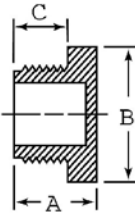
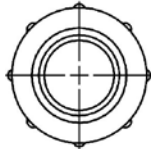
Male Threaded Pipe Plugs (Sq. Top)

Part Number	NPT Port Size	Thread Size	Min Std Pkg	List Price
CAP-P-18	1/8	0.364	25	\$0.50
CAP-P-28	1/4	0.477	25	0.38
CAP-P-38	3/8	0.612	25	0.42
CAP-P-48	1/2	0.758	25	0.42
CAP-P-68-H	3/4	0.968	25	0.48
CAP-P-88-H	1	1.214	20	1.90
CAP-TP-13	1-1/4	1.557	5	3.31
CAP-TP-15	1-1/2	1.796	5	3.31



Male Threaded Cap Plugs for Flared J.I.C. Fittings

Part Number	Std Thread Size	OD Size Tube	Dash Size	Min Std Pkg	List Price
CAP-PD-40	7/16-20	1/4	#4	25	\$0.62
CAP-PD-50	1/2-20	5/16	#5	25	0.62
CAP-PD-60	9/16-18	3/8	#6	25	0.38
CAP-PD-80	3/4-16	1/2	#8	25	0.38
CAP-PD-100	7/8-14	5/8	#10	25	0.42
CAP-PD-120	1-1/16-12	3/4	#12	25	0.42
CAP-PD-140	1-3/16-12	7/8	#14	20	0.64
CAP-PD-160	1-5/16-12	1	#16	20	0.64
CAP-PD-200	1-5/8-12	1-1/4	#20	15	0.80
CAP-PD-220	1-3/4-12	1-3/8	#22	10	2.02
CAP-PD-240	1-7/8-12	1-1/2	#24	10	1.82



Miscellaneous - MCAP- TP

Part Number	To Fit Metric Thread Size	A		B		C		Min Std Pkg	List Price
		in	mm	in	mm	in	mm		
MCAP-TP-M8X1	M8 x 1	0.562	14.27	0.484	12.29	0.374	9.50	10	\$1.07
MCAP-TP-M10X1	M10 x 1	0.574	14.58	0.602	15.29	0.409	10.39	10	1.48
MCAP-TP-M12X1	M12 x 1	0.657	16.69	0.728	18.49	0.421	10.69	10	1.58
MCAP-TP-M12X1.5	M12 x 1.5	0.641	16.28	0.657	16.69	0.342	8.69	10	1.84
MCAP-TP-M14X1.5	M14 x 1.5	0.677	17.20	0.728	18.49	0.374	9.50	10	1.95
MCAP-TP-M16X1.5	M16 x 1.5	0.677	17.20	0.866	22.00	0.492	12.50	10	1.89
MCAP-TP-M18X1.5	M18 x 1.5	0.720	18.29	0.960	24.38	0.539	13.69	10	11.53
MCAP-TP-M20X1.5	M20 x 1.5	0.716	18.19	1.035	26.29	0.551	14.00	10	1.89
MCAP-TP-M22X1.5	M22 x 1.5	0.720	18.29	1.110	28.19	0.539	13.69	10	1.89
MCAP-TP-M24X1.5	M24 x 1.5	0.728	18.49	1.232	31.29	0.543	13.79	10	2.18
MCAP-TP-M25X1.5	M25 x 1.5	0.728	18.49	1.232	31.30	0.551	14.00	5	2.40
MCAP-TP-M26X1.5	M26 x 1.5	0.736	18.69	1.287	32.69	0.543	13.79	5	2.44
MCAP-TP-M52X1.5	M52 x 1.5	0.846	21.50	2.508	63.70	0.610	15.50	5	10.99

PLASTIC CAP PLUGS



These low density polyethylene caps protect the faces of split flange connectors

Split Flange Coupling Caps - SAE CODE 61

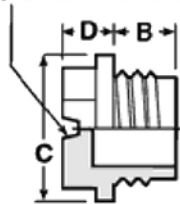
Part Number	Flange Size	Cap Size	Min Std Pkg	List Price
CAP-SF-8	1/2	1.19	50	\$0.20
CAP-SF-10	5/8	1.35	50	0.29
CAP-SF-12	3/4	1.50	50	0.35
CAP-SF-16	1	1.75	35	0.38
CAP-SF-20	1-1/4	2.00	35	0.39
CAP-SF-24	1-1/2	2.38	25	0.61
CAP-SF-32	2	2.81	15	0.81
CAP-SF-40	2-1/2	3.31	15	1.15

Split Flange Coupling Caps - SAE CODE 62

Part Number	Flange Size	Cap Size	Min Std Pkg	List Price
CAP-HPSF-8	1/2	1.25	10	\$2.03
CAP-HPSF-12	3/4	1.625	10	2.30
CAP-HPSF-16	1	1.87	10	2.35
CAP-HPSF-20	1-1/4	2.125	10	2.41
CAP-HPSF-24	1-1/2	2.5	10	2.75
CAP-HPSF-32	2	3.125	10	2.73



SCREWDRIVER SLOT



Threaded O-Ring Plugs

Part Number	Std Thread Size	B	C	D	Min Std Pkg	List Price
CAP-TF-9-OR	9/16-18	0.35	0.81	0.19	10	\$2.46
CAP-TF-12-OR	3/4-16	0.44	0.89	0.18	10	2.60

BOLTED SPLIT FLANGE PROTECTORS



3,000 PSI Flanges SAE Code 61

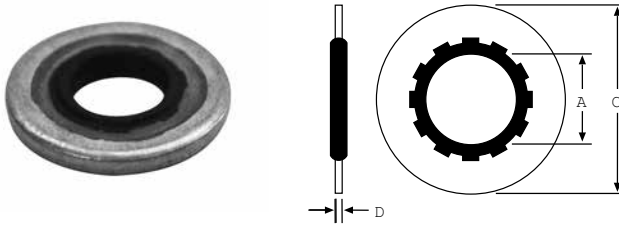
Part Number	Port Size	Min Std Pkg	List Price
CAP-8218	1/2	10	\$3.51
CAP-8219	3/4	10	2.51
CAP-8220	1	10	2.69
CAP-8221	1-1/4	10	2.85
CAP-8222	1-1/2	10	3.04
CAP-8223	2	10	3.36
CAP-8224	2-1/2	10	3.36

5,000 PSI Flanges SAE Code 62

Part Number	Port Size	Min Std Pkg	List Price
CAP-XP-075	3/4	10	\$2.51
CAP-XP-100	1	10	2.69
CAP-XP-125	1-1/4	10	2.85
CAP-XP-150	1-1/2	10	3.04
CAP-XP-200	2	10	3.36

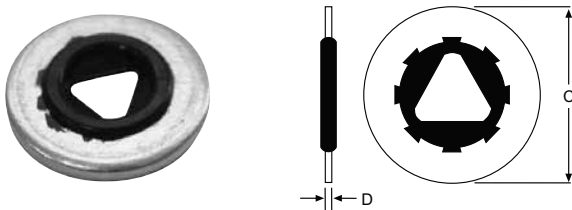
Cap Plug Assortment Kits
Also Available -
See the Kit & Tool Section

STYLE 110 FACE SEALS



Part Number	Max Screw Size	A Rubber I.D.	B Steel I.D.	C Steel O.D.	D Steel Thick.	List Price
DY-110X8	.164	.156	.255	.385	.041	\$4.90
DY-110X10	.177	.180	.317	.443	.050	3.23
DY-110X3/16	.190	.220	.281	.425	.054	6.31
DY-110X7/32	.216	.246	.307	.455	.054	22.26
DY-110X1/4	.250	.240	.381	.505	.054	3.73
DY-110X5/16	.312	.301	.488	.603	.054	4.90
DY-110X3/8	.375	.368	.546	.666	.054	5.16
DY-110X7/16	.437	.427	.618	.760	.054	9.52
DY-110X1/2	.500	.490	.696	.880	.054	10.58
DY-110X9/16	.562	.552	.759	1.067	.054	10.58
DY-110X5/8	.625	.615	.818	1.193	.054	12.93

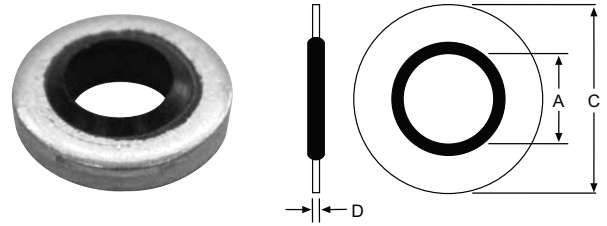
THREAD SEAL



Thread seals provide a positive seal directly against the threads of a bolt. Self-centering and easily installed.

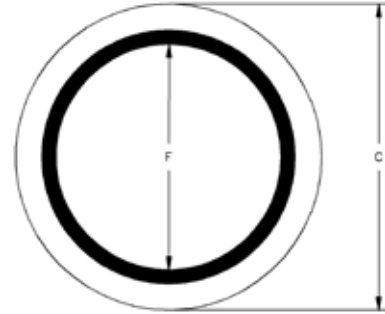
Part Number	C	D	Thread Size	List Price
TS7500X10	.469	.051	-10	\$8.64
TS7500X1/4	.562	.051	1/4	4.85
TS7500X5/16	.687	.064	5/16	9.99
TS7500X3/8	.750	.064	3/8	9.90
TS7500X7/16	.906	.078	7/16	10.42
TS7500X1/2	1.000	.078	1/2	19.50
TS7500X7/8	1.562	.109	7/8	31.94

STYLE SB FACE SEALS



Part Number	A	C	D	List Price
DY-SB-001	.115	.250	.048	\$3.26
DY-SB-002	.157	.286	.048	3.26
DY-SB-003	.205	.330	.051	2.53
DY-SB-004	.270	.520	.051	2.53
DY-SB-005	.270	.525	.048	3.59
DY-SB-006	.322	.525	.048	3.59
DY-SB-007	.340	.560	.051	2.60
DY-SB-020A	.408	.625	.083	2.76
DY-SB-008	.443	.723	.083	2.76
DY-SB-009	.460	.750	.083	2.79
DY-SB-225	.531	.866	.059	2.85
DY-SB-021B	.541	.810	.083	2.79
DY-SB-010	.585	.875	.083	3.05
DY-SB-022BB	.625	.875	.083	3.08
DY-SB-011	.650	1.000	.083	3.14
DY-SB-023C	.680	.937	.083	3.18
DY-SB-012	.715	1.000	.097	3.18
DY-SB-024CC	.775	1.060	.097	3.49
DY-SB-025D	.848	1.125	.097	3.94
DY-SB-026E	.925	1.250	.097	4.32
DY-SB-013	.955	1.310	.097	7.56
DY-SB-027F	1.065	1.375	.097	5.25
DY-SB-240	1.083	1.417	.07	5.38
DY-SB-028	1.095	1.520	.097	6.82
DY-SB-014	1.150	1.440	.092	7.45
DY-SB-029G	1.213	1.500	.097	7.93
DY-SB-015	1.280	1.630	.128	8.52
DY-SB-031	1.329	1.685	.092	9.36
DY-SB-030H	1.334	1.685	.133	7.99
DY-SB-016	1.410	1.750	.133	18.34
DY-SB-032J	1.690	2.062	.103	15.32
DY-SB-033K	1.907	2.307	.103	17.74
DY-SB-019	2.030	2.500	.128	27.83
DY-SB-034	2.161	2.750	.133	29.99
DY-SB-036	2.385	2.875	.133	25.07
DY-SB-038	2.625	3.130	.133	40.24
DY-SB-039	2.995	3.550	.133	45.11

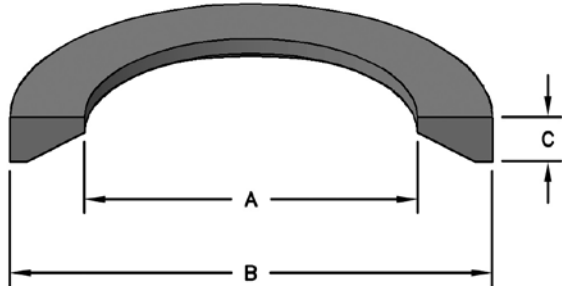
STYLE SB-SCR FACE SEALS



Part Number	F Self-Centralizing	C	D	List Price
DY-SB-005-SCR	0.185	0.525	0.048	\$3.59
DY-SB-006-SCR	0.240	0.525	0.048	3.59
DY-SB-007-SCR	0.240	0.560	0.048	3.14
DY-SB-020A-SCR	0.337	0.625	0.080	2.76
DY-SB-008-SCR	0.337	0.723	0.080	3.14
DY-SB-009-SCR	0.346	0.750	0.080	3.49
DY-SB-021B-SCR	0.451	0.810	0.080	2.79
DY-SB-010-SCR	0.456	0.875	0.080	3.05
DY-SB-022BB-SCR	0.476	0.875	0.080	3.08
DY-SB-023C-SCR	0.589	0.937	0.080	3.18
DY-SB-012-SCR	0.571	1.000	0.098	3.18
DY-SB-024CC-SCR	0.622	1.060	0.098	3.49
DY-SB-025D-SCR	0.734	1.125	0.098	3.94
DY-SB-026E-SCR	0.811	1.250	0.098	4.32
DY-SB-013-SCR	0.795	1.310	0.098	7.56
DY-SB-027F-SCR	0.950	1.375	0.098	5.25
DY-SB-014-SCR	0.941	1.440	0.098	7.45
DY-SB-031-SCR	1.193	1.685	0.098	9.36
DY-SB-029G-SCR	1.098	1.500	0.098	7.93
DY-SB-015-SCR	1.067	1.630	0.126	8.52
DY-SB-030H-SCR	1.193	1.685	0.126	7.99
DY-SB-016-SCR	1.161	1.750	0.126	18.34

DIN 3869 CONNECTOR RINGS

DIN 3869 profile rings are axially static soft seals in combination with threaded elements. They are molded from elastomers used for sealing threaded tube connections and fittings. Most common application, construction machinery, hydraulic presses, injection machines, etc. The DIN3869 is offered in two materials, an NBR 85 Shore A (black finish), and FKM 80 Shore A (green finish).



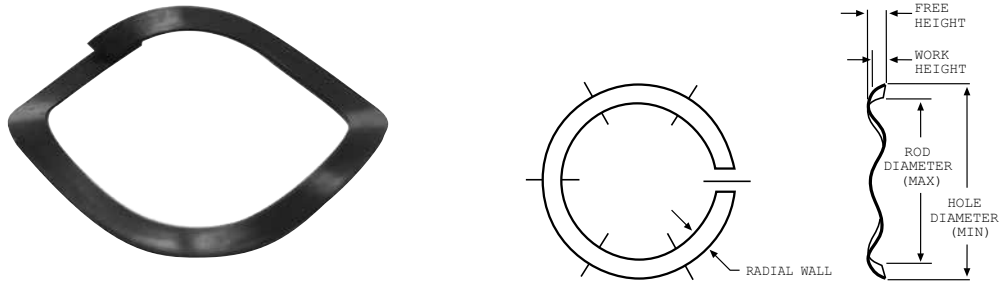
SEAL INFORMATION

MATERIAL	COLOR	TEMP RANGE
85A NBR	BLACK	-30° TO +100° C -22° TO +212° F
VITON (FKM)	GREEN	-20° TO +200° C -4° TO +392° F

Part Number	Nominal Size	Thread	A Inside Diameter	B Outside Diameter	C Height	Package Quantity	List Price
DIN3869-M8X1	8	M8 x 1	6.50	9.90	1.00	5	\$2.30
DIN3869-M10X1	10	M10 x 1	8.40	11.90	1.00	5	1.40
DIN3869-M12X1.5	12	M12 x 1.5	9.80	14.40	1.50	5	1.40
DIN3869-M14X1.5	14	M14 x 1.5	11.60	16.50	1.50	5	1.81
DIN3869-M16X1.5	16	M16 x 1.5	13.80	18.90	1.50	5	1.81
DIN3869-M17X1.5	17	M17 x 1.5	14.70	18.90	1.50	5	1.81
DIN3869-M18X1.5	18	M18 x 1.5	15.70	20.90	1.50	5	1.96
DIN3869-M20X1.5	20	M20 x 1.5	17.80	22.90	1.50	5	2.30
DIN3869-M21X1.5	21	M21 x 1.5	18.50	23.90	1.50	5	2.70
DIN3869-M22X1.5	22	M22 x 1.5	19.60	24.30	1.50	5	2.73
DIN3869-M21X2	21	M21 x 2	18.50	23.90	2.00	1	22.44
DIN3869-M27X2	27	M27 x 2	23.90	29.20	2.00	5	2.61
DIN3869-M30X2	30	M30 x 2	27.70	32.70	2.00	2	5.45
DIN3869-M33X2	33	M33 x 2	29.70	35.70	2.00	2	1.65
DIN3869-M42X2	42	M42 x 2	38.80	45.80	2.00	2	2.71
DIN3869-M48X2	48	M48 x 2	44.70	50.70	2.00	2	3.46
DIN3869-M8X1-V	8	M8 x 1	6.50	9.90	1.00	5	5.00
DIN3869-M10X1-V	10	M10 x 1	8.40	11.90	1.00	5	5.00
DIN3869-M12X1.5-V	12	M12 x 1.5	9.80	14.40	1.50	5	8.19
DIN3869-M14X1.5-V	14	M14 x 1.5	11.60	16.50	1.50	5	8.19
DIN3869-M16X1.5-V	16	M16 x 1.5	13.80	18.90	1.50	2	4.18
DIN3869-M18X1.5-V	18	M18 x 1.5	15.70	20.90	1.50	2	4.55
DIN3869-M20X1.5-V	20	M20 x 1.5	17.80	22.90	1.50	2	5.84
DIN3869-M21X1.5-V	21	M21 x 1.5	18.50	23.90	1.50	2	6.17
DIN3869-M22X1.5-V	22	M22 x 1.5	19.60	24.30	1.50	2	6.36
DIN3869-M27X2-V	27	M27 x 2	23.90	29.20	2.00	2	6.74
DIN3869-M30X2-V	30	M30 x 2	27.70	32.70	2.00	2	11.47

WAVE SPRINGS

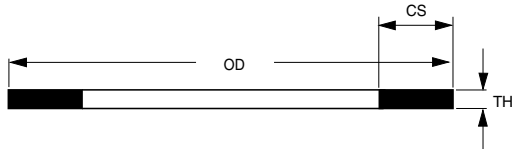
Wave Springs offer a convenient method of exerting a pre-load on vee packing where little or no adjustment is available. Because of a low fatigue factor, the spring should provide a proper pre-load throughout the life of the packing.



Part Number	WORK HEIGHT	FREE HEIGHT	E ROD DIAMETER	HOLE DIAMETER	RADIAL WALL	List Price
SSR-0112	.078	.130	.840	1.125	.133	\$19.77
SSR-0125	.078	.150	.960	1.250	.133	7.47
SSR-0150	.078	.170	1.170	1.500	.143	7.94
SSR-0175	.078	.140	1.440	1.750	.143	7.94
SSR-0187	.078	.150	1.560	1.875	.143	7.94
SSR-0200	.093	.140	1.680	2.000	.150	8.64
SSR-0225	.093	.170	1.930	2.250	.150	9.14
SSR-0237	.093	.160	1.990	2.375	.178	9.41
SSR-0250	.093	.170	2.120	2.500	.178	9.91
SSR-0262	.093	.190	2.240	2.625	.178	9.91
SSR-0275	.109	.170	2.340	2.750	.188	10.90
SSR-0300	.109	.190	2.590	3.000	.188	11.67
SSR-0312	.109	.210	2.710	3.120	.188	11.58
SSR-0325	.109	.200	2.750	3.250	.233	12.54
SSR-0350	.109	.230	3.000	3.500	.233	23.36
SSR-0362	.109	.240	3.120	3.625	.233	23.82
SSR-0375	.109	.260	3.250	3.750	.233	14.71
SSR-0400-N	.109	.200	3.570	4.000	.188	43.23
SSR-0425	.109	.210	3.740	4.250	.233	46.38
SSR-0462	.109	.230	4.125	4.625	.233	18.09
SSR-0475	.125	.310	4.240	4.750	.233	56.05
SSR-0512	.125	.340	4.610	5.125	.233	64.92

CARBON STEEL SHIMS

These carbon steel shims are commonly used with vee packing sets to fill the empty space in a gland.



Part Number	OUTSIDE DIAMETER	th THICKNESS	CROSS SECTION	List Price
SSRS-0150	1.500	.024	.150	\$3.19
SSRS-0175	1.750	.024	.150	3.19
SSRS-0200	2.000	.024	.150	4.45
SSRS-0237	2.375	.024	.178	6.63
SSRS-0312	3.125	.030	.188	4.24
SSRS-0375	3.750	.030	.233	5.02

GRADE C LOCKNUTS

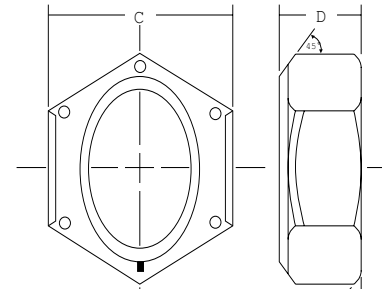
These fine-threaded Grade C locknuts are formed from medium carbon, heat-treated steel and are designed to be used with a Grade 8 bolt. Smaller size locknuts employ an automation style collar while the larger ones use a full collar design. Both locknut types are stocked with cadmium and wax plating.

Automation Style

Part Number	Size	Thread Pitch	C Width Across Flats		D Overall Thickness		List Price
			Max	Min	Max	Min	
LN-1/2-13	1/2	13	0.7500	0.736	0.573	0.427	\$1.41
LN-1/2-20	1/2	20	0.752	0.741	0.609	0.579	0.85
LN-1-14	1	14	1.5020	1.450	0.887	0.831	7.01
LN-3/4-16	3/4	16	1.1250	1.088	0.665	0.617	4.23
LN-5/8-18	5/8	18	0.9375	0.922	0.731	0.535	11.25
LN-7/8-14	7/8	14	1.3145	1.269	0.922	0.724	5.57
LN-7/16-20	7/16	20	0.627	0.616	0.468	0.438	3.63



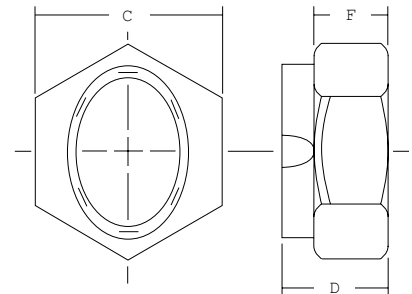
Automation Style



Full Collar Style

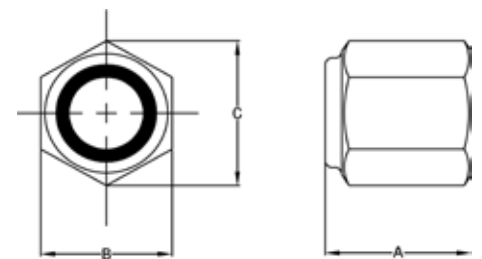
Part Number	Size	Thread Pitch	C Width Across Flats		D Overall Thickness		F Hex Height		List Price
			Max	Min	Max	Min	Max	Min	
LN-1-1/2-12	1-1/2	12	2.250	2.175	1.317	1.246	0.885	0.843	\$39.48
LN-1-1/4-12	1-1/4	12	1.876	1.812	1.094	1.030	0.719	0.698	28.77
LN-1-1/8-12	1-1/8	12	1.687	1.631	0.999	0.939	0.657	0.636	18.14
LN-1-3/4-12	1-3/4	12	2.625	2.538	1.540	1.460	1.012	0.989	68.06
LN-1-3/8-12	1-3/8	12	2.062	1.994	1.206	1.138	0.795	0.771	61.30
LN-2-12	2	12	3.000	2.900	1.763	1.675	1.158	1.134	143.64

Full Collar Style



Part Number	Bar Size	A	B	C	List Price
CM-LN45050	1/2"-20	0.60	0.75	0.84	\$6.50
CM-LN45062	5/8"-18	0.75	0.94	1.06	22.57
CM-LN45075	3/4"-16	0.88	1.06	1.19	28.28
CM-LN45087	7/8"-14	1.00	1.25	1.40	15.57
CM-LN45100	1"-14	1.06	1.44	1.62	21.09
CM-LN45101	1"-14	0.88	1.62	1.83	25.12
CM-LN45112	1-1/8"-12	1.19	1.62	1.83	28.94
CM-LN45126	1-1/4"-12	1.38	1.81	2.06	33.66
CM-LN45151	1-1/2"-12	1.62	2.19	2.44	44.23
CM-LN45152	1-1/2"-12	0.81	2.19	2.44	34.72
CM-LN45175	1-3/4"-12	1.50	2.75	3.06	85.10
CM-LN45200	2"-12	1.62	3.12	3.50	90.85
CM-LN45225	2-1/4"-12	1.94	3.50	3.94	193.43
CM-LN45226	2-1/4"-12	2.81	3.50	3.94	264.87
CM-LN45250	2-1/2"-12	2.25	4.00	4.50	419.42

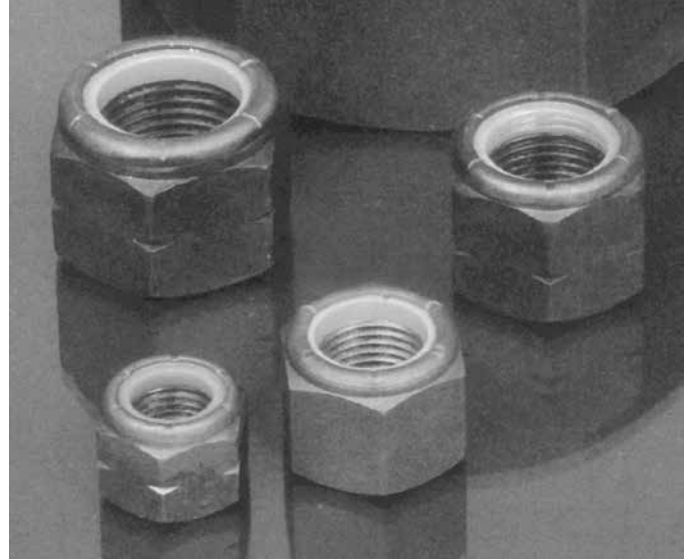
Nylon Insert Lock Nut



“NYLON INSERT” LOCKING NUTS

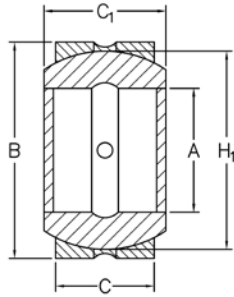
Manufactured from the finest quality steel to offer superior strength, Hercules® Sealing Products locking nuts with nylon inserts are specifically designed and manufactured to exact dimensions. The high temperature locking inserts are designed to withstand the high temperatures associated with close tolerance performance applications.

Part Number	Thread Size & Pitch	Height	Flats	List Price
CTC-2J0564	2 - 12	1-5/8	3-1/8	\$96.26
CTC-2J3247	1-3/4 - 12	1-7/16	2-3/4	90.18
CTC-2J3950	1-1/2 - 12	1-5/16	2-3/8	61.99
CTC-2J6384	1-1/4 - 12	1-1/8	2	55.23
CTC-2J7686	2-1/2 - 12	2-3/16	4	444.43
CTC-3J6899	2-1/4 - 12	2-13/16	3-1/2	280.66
CTC-3J9449	2-1/2 - 12	2-5/8	4	415.38
CTC-3J9545	2 - 12	2-7/16	3-1/8	258.31
CTC-4J6888	2-3/4 - 12	2-1/4	4	262.58
CTC-4J8734	2-3/4 - 12	3-1/8	4	502.03
CTC-5J3488	2-1/4 - 12	1-15/16	3-1/2	204.97
CTC-5J5731	1-3/4 - 12	1-7/16	2-1/2	57.82
CTC-7J9250	3-1/4 - 12	3-1/8	4-1/2	536.86
CTC-9X6018	4 - 12	3.73	5.62	1126.84
CTC-1438149	M48 × 2	50 mm	75 mm	240.01
CTC-1438150	M56 × 2	56 mm	85 mm	252.24
CTC-1336686	M56 × 2	57 mm	80 mm	275.80
CTC-1475835	M64 × 2	63 mm	95 mm	339.06
CTC-7Y4622	M72 × 2	70 mm	105 mm	598.33
CTC-7Y4695	M80 × 2	76 mm	115 mm	600.10
CTC-1232060	M80 × 2	64 mm	115 mm	425.45
CTC-1232112	M90 × 2	76 mm	130 mm	753.05
CTC-7Y4956	M90 × 2	84 mm	130 mm	718.60
CTC-0875385	M95 × 2	88 mm	135 mm	894.95
CTC-1261971	M100 × 2	89 mm	146 mm	1232.09
CTC-1163513	M105 × 2	97 mm	150 mm	1422.07
CTC-1163516	M120 × 2	108 mm	170 mm	1709.27



*Grade N8 (Grade C equivalent) or non-heat treated micro-alloy steel.

STYLE HH SELF ALIGNING BEARINGS (INCH)



SEAL INFORMATION

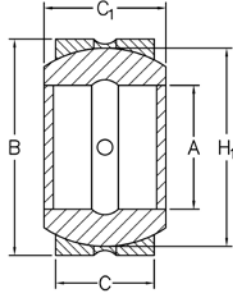
MATERIAL

CARBON
CHROMIUM STEEL

SUFFIX:
2RS = SEALED BEARINGS

Part Number	A Nom. ID	B Nom. OD	C Nom. Ht	C ₁ OVERALL HEIGHT	G HOUSING DIAMETER	H ₁ BEARING GROOVE DIAMETER	Static Radial Load (lbs)	Dynamic Radial Load (lbs)	MATERIAL	List Price
HH008ES	1/2	7/8	3/8	.437	.875 ^{+0.000} _{-.0008}	.709	9337	3156	STEEL	\$33.94
HH010ES	5/8	1-1/16	15/32	.547	1.0625 ^{+0.000} _{-.0008}	.899	14732	4864	STEEL	37.31
HH012ES	3/4	1-1/4	9/16	.656	1.250 ^{+0.000} _{-.001}	1.083	20927	7089	STEEL	35.09
HH100ES	1	1-5/8	3/4	.875	1.625 ^{+0.000} _{-.001}	1.417	37359	12605	STEEL	30.53
HHW100ES	1	1-5/8	1-1/2	1.500	1.625 ^{+0.000} _{-.001}	1.417	37351	12604	STEEL	38.31
HH104ES	1-1/4	2	15/16	1.093	2.000 ^{+0.000} _{-.0012}	1.772	58507	19468	STEEL	44.08
HH106ES	1-3/8	2-3/16	1-1/32	1.187	2.1875 ^{+0.000} _{-.0012}	1.929	69756	23404	STEEL	66.73
HH108ES	1-1/2	2-7/16	1-1/8	1.312	2.4375 ^{+0.000} _{-.0012}	2.165	84379	28129	STEEL	57.68
HH108ES2RS	1-1/2	2-7/16	1-1/8	1.312	2.4375 ^{+0.000} _{-.0012}	2.165	84379	28129	STEEL	76.87
HH112ES	1-3/4	2-13/16	1-5/16	1.531	2.8125 ^{+0.000} _{-.0012}	2.520	114752	38255	STEEL	79.17
HH112ES2RS	1-3/4	2-13/16	1-5/16	1.531	2.8125 ^{+0.000} _{-.0012}	2.520	114752	38255	STEEL	99.50
HH200ES	2	3-3/16	1-1/2	1.750	3.1875 ^{+0.000} _{-.0014}	2.874	150754	50408	STEEL	107.44
HH200ES2RS	2	3-3/16	1-1/2	1.750	3.1875 ^{+0.000} _{-.0014}	2.874	150754	50408	STEEL	128.93
HHW200ES	2	3-3/16	3	3.000	3.1875 ^{+0.000} _{-.0014}	2.874	150757	50406	STEEL	121.69
HH204ES	2-1/4	3-9/16	1-11/16	1.969	3.5625 ^{+0.000} _{-.0014}	3.228	191251	63002	STEEL	147.03
HH204ES2RS	2-1/4	3-9/16	1-11/16	1.969	3.5625 ^{+0.000} _{-.0014}	3.228	191251	63002	STEEL	200.65
HH208ES	2-1/2	3-15/16	1-7/8	2.187	3.9375 ^{+0.000} _{-.0014}	3.583	234007	77629	STEEL	199.06
HH212ES	2-3/4	4-3/8	2-1/16	2.406	4.375 ^{+0.000} _{-.0014}	3.937	285752	95628	STEEL	233.74
HH300ES	3	4-3/4	2-1/4	2.625	4.750 ^{+0.000} _{-.0016}	4.331	337506	112505	STEEL	350.57
HH300ES2RS	3	4-3/4	2-1/4	2.625	4.750 ^{+0.000} _{-.0016}	4.331	337506	112505	STEEL	417.78
HH308ES	3-1/2	5-1/2	2-5/8	3.062	5.500 ^{+0.000} _{-.0016}	5.039	459001	153003	STEEL	304.44
HH308ES2RS	3-1/2	5-1/2	2-5/8	3.062	5.500 ^{+0.000} _{-.0016}	5.039	459001	153003	STEEL	689.91
HH312ES	3-3/4	5-7/8	2-13/16	3.281	5.875 ^{+0.000} _{-.0016}	5.394	531004	175507	STEEL	671.78
HH400ES	4	6-1/4	3	3.500	6.250 ^{+0.000} _{-.0016}	5.748	596256	202508	STEEL	556.92

STYLE MHH SELF ALIGNING BEARINGS (METRIC)



SEAL INFORMATION

MATERIAL	CARBON CHROMIUM STEEL
----------	-----------------------

SUFFIX:
2RS = SEALED BEARINGS

Part Number	A Nom. ID	B Nom. OD	C Nom. Ht	C ₁ OVERALL HEIGHT	G HOUSING DIAMETER	H ₁ BEARING GROOVE DIAMETER	Static Radial Load (lbs)	Dynamic Radial Load (lbs)	List Price
MHH20ES	20	35	12	16	35 ^{+0.000} _{-0.025}	29	32857	6759	\$42.79
MHH25ES	25	42	16	20	42 ^{+0.000} _{-0.025}	36	54003	10804	53.28
MHH25ES2RS	25	42	16	20	42 ^{+0.000} _{-0.025}	36	54003	10804	49.73
MHH30ES	30	47	18	22	47 ^{+0.000} _{-0.025}	41	69751	13951	56.39
MHH30ES2RS	30	47	18	22	47 ^{+0.000} _{-0.025}	41	69751	13951	70.55
MHH35ES	35	55	20	25	55 ^{+0.00} _{-0.03}	47	90008	18009	73.05
MHH35ES2RS	35	55	20	25	55 ^{+0.00} _{-0.03}	47	90008	18009	70.55
MHH40ES	40	62	22	28	62 ^{+0.00} _{-0.03}	53	112507	22501	80.63
MHH40ES2RS	40	62	22	28	62 ^{+0.00} _{-0.03}	53	112507	22501	69.19
MHH45ES2RS	45	68	25	32	68 ^{+0.00} _{-0.03}	60	144009	28578	124.50
MHH50ES	50	75	28	35	75 ^{+0.00} _{-0.03}	66	175509	35109	117.75
MHH50ES2RS	50	75	28	35	75 ^{+0.00} _{-0.03}	66	175509	35109	229.47
MHH60ES	60	90	36	44	90 ^{+0.000} _{-0.035}	80	274509	55128	181.85
MHH70ES	70	105	40	49	105 ^{+0.000} _{-0.035}	92	351007	70876	272.62
MHH70ES2RS	70	105	40	49	105 ^{+0.000} _{-0.035}	92	351007	70876	229.47
MHH80ES	80	120	45	55	120 ^{+0.000} _{-0.035}	105	450005	90008	297.57

SET SCREWS



These set screws are used on many cylinder headnuts. Use nylon plugs to ensure no damage to the headnut threads. All set screws employ Allen wrench heads.

Part Number	Thread Size	Length	List Price
SS-1/4-20X1/2	1/4-20	1/2	\$1.71
SS-1/4-20X3/8	1/4-20	3/8	2.01
SS-1/4-28X1/4	1/4-28	1/4	1.60
SS-1/4-28X3/8	1/4-28	3/8	1.60
SS-5/16-18X1/4	5/16-18	1/4	1.60
SS-5/16-18X3/8-CUP	5/16-18	3/8	1.60
SS-5/16-18X3/4-CUP	5/16-18	3/4	2.17
SS-5/16-24X5/16	5/16-24	5/16	0.68
SS-5/16-24X3/8	5/16-24	3/8	2.17
SS-3/8-16X3/8	3/8-16	3/8	1.22
SS-3/8-16X1/2	3/8-16	1/2	1.71
SS-3/8-16X5/8	3/8-16	5/8	2.11
SS-3/8-16X7/8	3/8-16	7/8	2.43
SS-1/2-13X1/2	1/2-13	1/2	2.83
SS-1/2-13X5/8	1/2-13	5/8	3.30
SS-#10-24X1/4	#10-24	1/4	1.60

NYLON PLUGS



These nylon plugs are used with headnut set screws to ensure that there is no damage to the headnut threads.

Part Number	Diameter	Length	List Price
NYPLUG-125-125	1/8	1/8	\$1.25
NYPLUG-125-156	1/8	5/32	1.13
NYPLUG-125-875	1/8	7/8	2.11
NYPLUG-187-109	3/16	7/64	1.09
NYPLUG-187-187	3/16	3/16	1.09
NYPLUG-187-250	3/16	1/4	1.10
NYPLUG-250-070	1/4	0.070	1.61
NYPLUG-250-125	1/4	1/8	1.09
NYPLUG-250-187	1/4	3/16	1.09
NYPLUG-250-250	1/4	1/4	1.92
NYPLUG-312-125	5/16	1/8	1.09
NYPLUG-312-250	5/16	1/4	3.31
NYPLUG-312-312	5/16	5/16	3.12
NYPLUG-375-250	3/8	1/4	1.09
NYPLUG-500-875-125H	1/2	7/8	16.32

WIND-IN LOCK WIRES



Part Number	Thickness	Length	List Price
LW-093-1262	3/32 sq.	12-5/8	\$45.06
MARION-35240	1/8 sq.	10-1/4	20.82
MARION-35250	1/8 sq.	13-3/8	19.62
MARION-35260	1/8 sq.	16-3/8	19.98
MARION-35270	1/8 sq.	19-1/4	22.96
MARION-1031	3/16 sq.	21.00	33.38
1/8 RD WIRE	1/8 round	11	5.23

FILTER VENT PLUGS



These plugs are used to allow air to pass in and out of the non-pressurized end of a single-acting cylinder.

Part Number	NPT Port Size	List Price
FV-.125	1/8	\$7.27
FV-.250	1/4	9.85
FV-.375	3/8	11.89
FV-.500	1/2	14.29
FV-.750	3/4	21.97
FV-1.000	1	26.32

STEEL PLUGS AND VENTS

Steel Plug (O-Ring Boss)



PART NUMBER	PORT SIZE	LIST PRICE
CM-74004	#4 SAE	\$12.00
CM-74005	#5 SAE	12.04
CM-74006	#6 SAE	12.06
CM-74008	#8 SAE	13.02
CM-74010	#10 SAE	14.47
CM-74012	#12 SAE	19.30
CM-74014	#14 SAE	42.20
CM-74016	#16 SAE	51.43
CM-74020	#20 SAE	55.27

NPT Steel Plug

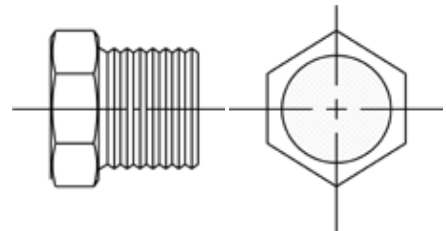
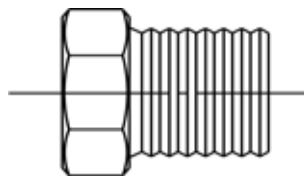
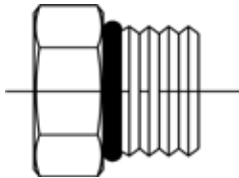


PART NUMBER	PORT SIZE	LIST PRICE
CM-74112	1/8" NPT	\$9.03
CM-74125	1/4" NPT	9.11
CM-74137	3/8" NPT	9.20
CM-74150	1/2" NPT	9.28
CM-74175	3/4" NPT	18.09
CM-74199	1" NPT	18.43
CM-74200	1-1/4" NPT	36.16

NPT Air Vent



PART NUMBER	PORT SIZE	LIST PRICE
CM-77002	1/8" NPT	\$7.27
CM-77004	1/4" NPT	9.85
CM-77006	3/8" NPT	11.89
CM-77008	1/2" NPT	14.29
CM-77010	3/4" NPT	21.97



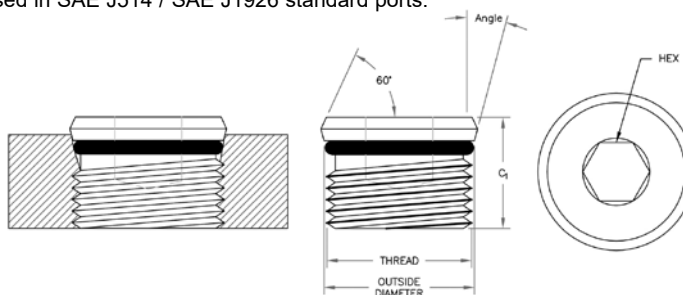
MANUAL BLEEDER VALVES



Part Number	Thread Size	Min Pkg Qty	List Price
WH705	1/8 NPT	3	\$7.79

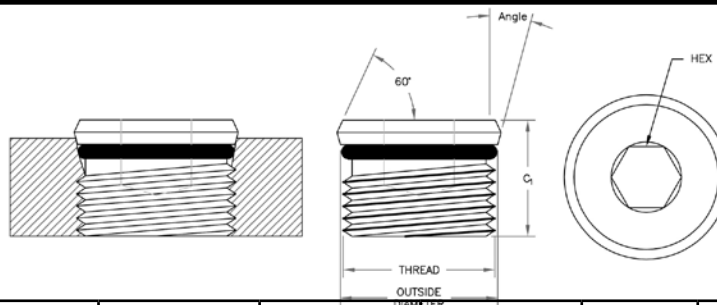
ZERO-LEAK GOLD STANDARD THREAD PORT PLUGS

Thread Port plugs which are interchangeable with plugs used in SAE J514 / SAE J1926 standard ports.



Part Number	SIZE NUMBER	C ₁ OVERALL HEIGHT	OUTSIDE DIAMETER	HEX	Angle	TESTED TORQUE (ft-lbs)	O-RING	THREAD	List Price
SHTPP-S00	N/A	.310 ±.010	.221 ±.003	.061 ^{+0.005} / _{+0.000}	12 ^{+0.0} / _{-0.5}		MOR-3X1.25	#10-32 UNF	\$9.07
SHTPP-S01	1	.440 ±.010	.296 ±.003	.125 ^{+0.005} / _{+0.000}	12 ^{+0.0} / _{-0.5}		MOR-4.5X1.5	1/4-24 UNS	2.72
SHTPP-S03	3	.380 ±.010	.411 ±.003	.125 ^{+0.005} / _{+0.000}	12 ^{+0.0} / _{-0.5}		MOR-7X1.5	3/8-24 UNF	2.41
SHTPP-S04	4	.450 ±.020	.477 ±.003	.188 ^{+0.005} / _{+0.000}	12 ^{+0.0} / _{-0.5}	7	MOR-8X1.5	7/16-20 UNF	3.81
SHTPP-S05	5	.450 ±.020	.540 ±.003	.188 ^{+0.005} / _{+0.000}	12 ^{+0.0} / _{-0.5}	9	MOR-10X1.5	1/2-20 UNF	4.21
SHTPP-S06	6	.480 ±.020	.606 ±.003	.250 ^{+0.005} / _{+0.000}	12 ^{+0.0} / _{-0.5}	11	MOR-12.1X1.6	9/16-18 UNF	4.81
SHTPP-S08	8	.560 ±.020	.800 ±.003	.313 ^{+0.005} / _{+0.000}	15 ^{+0.0} / _{-0.5}	28	568-016	3/4-16 UNF	5.68
SHTPP-S10	10	.630 ±.020	.930 ±.003	.375 ^{+0.005} / _{+0.000}	15 ^{+0.0} / _{-0.5}	46	MOR-18X2	7/8-14 UNF	7.66
SHTPP-S12	12	.750 ±.020	1.130 ±.003	.563 ^{+0.005} / _{+0.000}	15 ^{+0.0} / _{-0.5}	51	MOR-22.3X2.4	1-1/16-12 UN	13.56
SHTPP-S14	14	.563 ±.010	1.263 ±.003	.563 ^{+0.005} / _{+0.000}	15 ^{+0.0} / _{-0.5}		MOR-26X2.5	1-3/16-12 UN	24.49
SHTPP-S16	16	.750 ±.020	1.385 ±.003	.625 ^{+0.005} / _{+0.000}	15 ^{+0.0} / _{-0.5}		MOR-27X2.5	1-5/16-12 UN	17.03
SHTPP-S20	20	.750 ±.010	1.697 ±.003	.750 ^{+0.005} / _{+0.000}	15 ^{+0.0} / _{-0.5}		MOR-35X2.5	1-5/8-12 UN	39.11
SHTPP-S24	24	.750 ±.010	1.946 ±.003	.750 ^{+0.005} / _{+0.000}	15 ^{+0.0} / _{-0.5}		MOR-41X2.5	1-7/8-12 UN	122.88

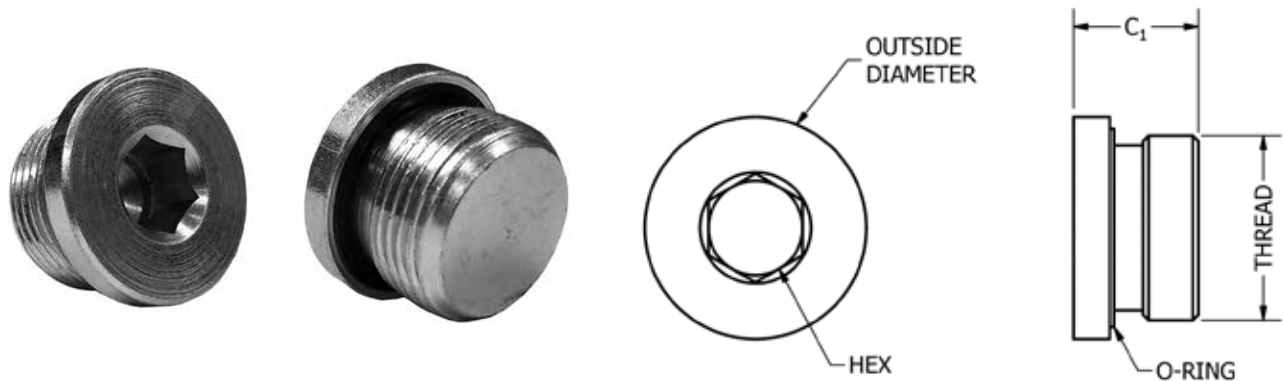
ZERO-LEAK GOLD METRIC THREAD PORT PLUGS



Part Number	Tube Size	C ₁ Overall Height	Outside Diameter	Hex	Angle	O-RING	Thread	List Price
SHTPP-MS-S02	5	9.1 ±.5	8.85 ^{+0.15} / _{-0.00}	3	12 ^{+0.0} / _{-0.5}	MOR-5X1.5	M8x1.0	\$3.69
SHTPP-MS-S03	6	9.3 ±.5	10.85 ^{+0.15} / _{-0.00}	5	12 ^{+0.0} / _{-0.5}	MOR-7X1.5	M10x1.0	4.15
SHTPP-MS-S04	8	11.3 ±.5	13.55 ^{+0.15} / _{-0.00}	6	15 ^{+0.0} / _{-0.5}	MOR-9X2	M12x1.5	4.39
SHTPP-MS-S05	10	11.3 ±.5	15.55 ^{+0.15} / _{-0.00}	6	15 ^{+0.0} / _{-0.5}	MOR-11X2	M14x1.5	4.80
SHTPP-MS-S06	12	14 ±.5	17.55 ^{+0.15} / _{-0.00}	8	15 ^{+0.0} / _{-0.5}	MOR-13X2	M16x1.5	5.81
SHTPP-MS-S07	14	15.3 ±.5	19.55 ^{+0.15} / _{-0.00}	8	15 ^{+0.0} / _{-0.5}	MOR-15X2	M18x1.5	6.27
SHTPP-MS-S08	18	17 ±.5	23.55 ^{+0.15} / _{-0.00}	10	15 ^{+0.0} / _{-0.5}	MOR-19X2	M22x1.5	7.69

BSPB THREAD PORT PLUGS

BSPB are British Standard Pipe Plugs. Plugs come with DIN3869 NBR 85 shore A axial seals already installed to ensure zero leak.

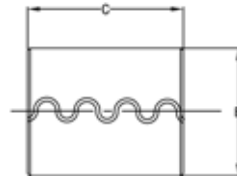


Part Number	Outside Diameter	C1 Overall Height	Hex	O-ring	Thread	List Price
SHTPP-G-1/4	0.748	0.669	6	DIN3869-M14X1.5	BSPP G 1/4-19	\$5.49
SHTPP-G-3/8	0.866	0.669	8	DIN3869-M16X1.5	BSPP G 3/8-19	5.59
SHTPP-G-1/2	1.063	0.748	10	DIN3869-M21X1.5	BSPP G 1/2-14	6.76
SHTPP-G-3/4	1.26	0.827	12	DIN3869-M27X2	BSPP G 3/4-14	7.30
SHTPP-G-1	1.571	0.886	17	DIN3869-M33X2	BSPP G 1-11	16.86

SPLIT TENSION BUSHINGS



Material: Hardened Spring Steel



PART NUMBER	A	B	C	HOUSING DIAMETER	LIST PRICE
CM-99507	0.75	1.00	2.00	1.002/1.006	\$18.50
CM-99508	0.88	1.00	2.00	1.002/1.006	17.80
CM-99510	1.00	1.25	0.75	1.252/1.256	11.65
CM-99514	1.00	1.25	0.88	1.252/1.256	14.84
CM-99511	1.00	1.25	1.00	1.252/1.256	13.02
CM-99513	1.00	1.25	1.25	1.252/1.256	17.23
CM-99512	1.00	1.25	1.50	1.252/1.256	15.40
CM-99519	1.25	1.50	1.25	1.502/1.506	13.71
CM-99522	1.25	1.50	1.50	1.502/1.506	19.49
CM-99521	1.25	1.50	2.00	1.502/1.506	21.57
CM-99531	1.50	1.75	1.50	1.752/1.756	17.17
CM-99533	1.50	1.75	2.00	1.752/1.756	23.27
CM-99535	1.50	1.75	3.00	1.752/1.756	35.05
CM-99534	1.50	1.88	2.00	1.877/1.881	39.50
CM-995335	1.50	1.75	2.50	1.752/1.756	32.90
CM-99537	1.50	2.00	1.25	2.002/2.006	32.08

PART NUMBER	A	B	C	HOUSING DIAMETER	LIST PRICE
CM-995371	1.50	2.00	2.00	2.002/2.006	\$42.59
CM-99540	1.75	2.00	1.25	2.002/2.006	22.20
CM-995375	1.75	2.00	1.50	2.002/2.006	27.17
CM-99538	1.75	2.00	2.00	2.002/2.006	25.03
CM-99539	1.75	2.00	2.25	2.002/2.006	38.10
CM-995410	1.75	2.00	3.00	2.002/2.006	46.54
CM-99541	1.75	2.25	2.00	2.252/2.256	52.20
CM-99546	2.00	2.38	3.00	2.377/2.381	70.71
CM-99549	2.00	2.25	1.50	2.252/2.256	23.96
CM-99550	2.00	2.25	2.50	2.252/2.256	30.82
CM-99547	2.00	2.50	2.00	2.502/2.506	52.76
CM-99545	2.00	2.50	2.50	2.502/2.506	68.94
CM-99556	2.50	3.00	2.00	3.002/3.006	75.62
CM-99557	2.50	3.00	3.00	3.002/3.006	127.06
CM-99565	3.00	3.50	2.50	3.502/3.506	126.12

LOCTITE



Threadlocker 242 locks fasteners 1/4" and larger yet allows easy disassembly with hand tools. Prevents rust and corrosion.

Part Number	Application	List Price
LOCTITE-24205	Removable Threadlocker 0.5 ml bottle	\$19.46
LOCTITE-24221	Removable Threadlocker 10 ml bottle	72.24
LOCTITE-24231	Removable Threadlocker 50 ml bottle	213.71
LOCTITE-27105	High Strength Threadlocker 0.5 ml bottle	13.30
LOCTITE-29031	Penetrating Threadlocker 50 ml bottle	224.37
LOCTITE-54531	Hyd/Pneum Thread Sealant 50 ml tube	237.15
LOCTITE-82325	Super Lube 3 oz tube	56.50

SEAL LUBE™

O-Ring Lubricant



Part Number: O LUBE

List Price: \$39.12

Seal-Lube™ lubricant is a thick, clear, high viscosity silicone oil recommended for use with most seal compounds (except silicone) and a wide variety of hydraulic fluids. Insoluble in water, alcohol, petroleum oil and glycol, Seal-Lube™ can prolong seal life when applied prior to seal installation. Chemically inert and non-toxic, Seal-Lube™ retains its viscosity over a wide temperature range. The handy squeeze 2 ounce bottle dispenses just enough where you want it.

TURBO LOCK



Turbo Lock threadlocker adhesive series is an economical alternative to Loctite.

Part Number	Application	List Price
THREAD LOCKER-11-001	Removable Threadlocker 2 ml bottle	\$7.88
THREAD LOCKER-11-010	Removable Threadlocker 10 ml bottle	54.99
THREAD LOCKER-11-050	Removable Threadlocker 50 ml bottle	96.23
THREAD LOCKER-14-001	High Strength Threadlocker 2 ml bottle	7.88
THREAD LOCKER-14-250	High Strength Threadlocker 250 ml bottle	330.55
THREAD LOCKER-16-010	Penetrating Threadlocker 10 ml bottle	34.06
THREAD LOCKER-16-050	Penetrating Threadlocker 50 ml bottle	88.18

**Set Screw and Nylon Plug
Assortment Kits
Also Available -
See the Kits & Tools Section**

GREASE FITTINGS



Part Number	Description	List Price
GF-125NPTS	1/8" NPT STRAIGHT	\$2.22
GF-125NPT45	1/8" NPT 45°	3.56
GF-125NPT90	1/8" NPT 90°	3.56
GF-187DS	3/16" DRIVE STRAIGHT	1.53
GF-250-28S	1/4"-28 STRAIGHT	1.16
GF-250-28-45	1/4"-28 45°	3.15
GF-250-28-90	1/4"-28 90°	3.15
GF-312DS	5/16" DRIVE STRAIGHT	2.02

GREASE FITTING CAP



Low density polyethane cap plug for use with standard grease fittings.

Part Number	Description	List Price
CAP-GF-10	Cap Plug	\$0.35

PTFE THREAD SEAL TAPE

Part Number: PTFE TAPE
List Price: \$4.97



1/2" Wide by 520" Roll

SILICONE TAPE



Used to create permanent seals for low pressure gas or liquid leaks in hydraulic hoses.

Temperature Range: -62/+500° F

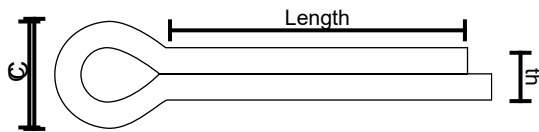
Part Number	Description	List Price
SILICONE TAPE	1" X 432" Roll	\$76.63

SEAL LUBE



Part Number	Description	List Price
GREASE PACK-30ML	Lube	\$5.13
LUBE-P-80-10ML	Lube	13.61

COTTER PINS



Part Number	C	Length	th	List Price
CP-1X3/32	0.1875	1	0.082	\$0.70
CP-1-1/4X1/8	0.25	1.25	0.115	0.52
CP-1-1/2X5/32	0.3125	1.5	0.15	0.70
CP-1-3/4X3/16	0.39	1.75	0.1875	1.02
CP-2X3/16	0.375	2	0.176	0.87
CP-2X1/4	0.5	2	0.225	0.70
CP-2-1/2X1/8	0.25	2.5	0.115	0.52
CP-2-1/2X5/32	0.357	2.5	0.15625	0.86
CP-2-1/2X3/16	0.375	2.5	0.176	1.05
CP-2-1/2X1/4	0.5	2.5	0.225	1.45
CP-3X5/32	0.3125	3	0.15	0.90
CP-3X1/4	0.52	3	0.25	2.43
CP-3-1/2X1/4	0.5	3.5	0.225	1.34
CP-4X1/4	0.5	4	0.225	1.53
CP-5X1/4	0.5	5	0.225	4.82
CP-6X5/16	0.625	6	0.28	5.75

NITRILE GLOVES

Hercules Sealing Products offers nitrile gloves which are available in 5, 6, and 8mil thickness options. Designed with versatility in mind, these gloves come in sizes ranging from Small to 2XL.



Part Number	Thickness	Color	Brand	Net Price	Part Number	Thickness	Color	Brand	Net Price
HPPE-VGS5-SM	5 Mil	Black	Vanguard	\$10.99	HPPE-VGS8DT-SM	8 Mil	Orange	Vanguard	\$19.00
HPPE-VGS5-MD	5 Mil	Black	Vanguard	10.99	HPPE-VGS8DT-MD	8 Mil	Orange	Vanguard	19.00
HPPE-VGS5-LG	5 Mil	Black	Vanguard	10.99	HPPE-VGS8DT-LG	8 Mil	Orange	Vanguard	19.00
HPPE-VGS5-XL	5 Mil	Black	Vanguard	10.99	HPPE-VGS8DT-XL	8 Mil	Orange	Vanguard	19.00
HPPE-VGS5-2X	5 Mil	Black	Vanguard	10.99	HPPE-VGS8DT-XXL	8 Mil	Orange	Vanguard	19.00
HPPE-RS6-M	6 Mil	Black	Rhinoskin	17.27	HPPE-RSO8-M	8 Mil	Orange	Rhinoskin	20.51
HPPE-RS6-L	6 Mil	Black	Rhinoskin	17.27	HPPE-RSO8-L	8 Mil	Orange	Rhinoskin	20.51
HPPE-RS6-XL	6 Mil	Black	Rhinoskin	17.27	HPPE-RSO8-XL	8 Mil	Orange	Rhinoskin	20.51
HPPE-RS6-XXL	6 Mil	Black	Rhinoskin	17.27	HPPE-RSO8-XXL	8 Mil	Orange	Rhinoskin	20.51

*Sold by the box, each contains 100 gloves (Vanguard 2XL contain 90 gloves).

*All 8 Mil Gloves are Diamond Textured.

STYLE MCPL COUPLINGS

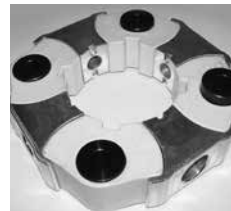
MCPL power transmission couplings are commonly found on mobile equipment to solve vibration problems in combustion engine driven equipment. The rubber or Hytrel elements effectively absorb shock loads, misalignment forces, and torsional vibrations generated by the connecting equipment at start-up for example. The coupling is axially connected to a PTO or flywheel on the engine side and radially connected to the driven equipment such as hydraulic pumps, generators, compressors, etc.



50H



110H



140H



50A

Part Number	ID X OD Dimensions	Material	Application	List Price
MCPL-110H-AL	100 X 222 mm	Plastic with Aluminum	Hitachi, Kato, etc.	\$198.24
MCPL-140H-AL	130 X 250 mm	Plastic with Aluminum	Komatsu, Kobelco, Kato, etc.	340.53
MCPL-50A-AL	107 X 200 mm	Rubber with Aluminum	Kobelco, Mitsubishi, etc.	310.38
MCPL-50H-AL	97 X 200 mm	Plastic with Aluminum	Komatsu, Hitachi, Kobelco, Mitsubishi, Kato, etc.	328.50

**Cotter Pin and Grease Fitting Assortment Kits
Also Available - See the Kits & Tools Section**

Industrial Repair Parts

Contents

Page

Industrial Mounts	216 - 220
Industrial Pins and Lock Nuts	220
Ports	221

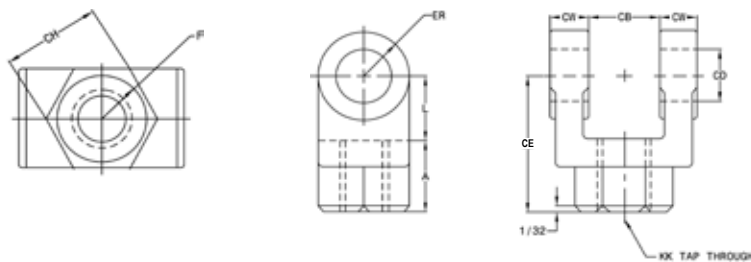
INDUSTRIAL MOUNTS

Rod Clevis



Material: 05, 07, 10
Forging 13 & Up Ductile
Iron Casting

PART NUMBER	CB	CD	CE	CH	CW	F	L	A	KK	ER	LIST PRICE
CM-RC0500	0.765	1/2	1-1/2	1	1/2	1	3/4	3/4	7/16"-20	1/2	\$37.78
CM-RC0750	1.265	3/4	2-3/8	1-1/4	5/8	1-1/4	1-1/4	1-1/8	3/4"-16	3/4	63.77
CM-RC1000	1.515	1	3-1/8	1-1/2	3/4	1-1/2	1-1/2	1-5/8	1"-14	1	100.87
CM-RC1375	2.032	1-3/8	4-1/8	2	1	2	2-1/8	2	1-1/4"-12	1-3/8	197.78
CM-RC1750	2.531	1-3/4	4-1/2	2-3/8	1-1/4	2-3/8	2-1/4	2-1/4	1-1/2"-12	1-3/4	284.80
CM-RC2000	2.531	2	5-1/2	2-15/16	1-1/4	2-15/16	2-1/2	3	1-7/8"-12	2	448.00
CM-RC2500	3.032	2-1/2	6-1/2	3-1/2	1-1/2	3-1/2	3	3-1/2	2-1/4"-12	2-1/2	642.44
CM-RC3000	3.032	3	6-3/4	3-7/8	1-1/2	3-7/8	3-1/4	3-1/2	2-1/2"-12	2-3/4	1104.73
CM-RC3500	4.032	3-1/2	8-1/2	5	2	5	4	4-1/2	3-1/4"-12	3-1/2	1541.00
CM-RC4000	4.532	4	10	6-1/8	2-1/4	6-1/8	4-1/2	5-1/2	4"-12	4	2172.25



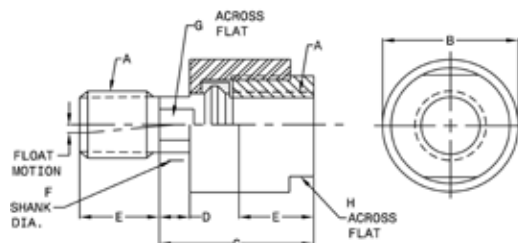
Alignment Coupler



1/16 Radial Float 2°
Spherical Motion

ALIGNMENT COUPLER	A	B	C	D	E	F	G	H	MAX PULL YIELD	LIST PRICE
CM-BD-437	7/16"-20	1-1/4	2	1/2	3/4	5/8	1/2	1	10,000	\$122.34
CM-BD-500	1/2"-20	1-1/4	2	1/2	3/4	5/8	1/2	1	14,000	122.34
CM-BD-625	5/8"-18	1-1/4	2	1/2	3/4	5/8	1/2	1	19,000	145.06
CM-BD-750	3/4"-16	1-3/4	2-5/16	1/2	1-1/8	31/32	13/16	1-1/2	34,000	110.35
CM-BD-875	7/8"-14	1-3/4	2-5/16	1/2	1-1/8	31/32	13/16	1-1/2	39,000	167.84
CM-BD-1000	1"-14	2-1/2	2-15/16	1/2	1-5/8	1-3/8	1-5/32	2-1/4	64,000	406.00
CM-BD-1250	1-1/4"-12	2-1/2	2-15/16	1/2	1-5/8	1-3/8	1-5/32	2-1/4	78,000	503.68
CM-BD-1500	1-1/2"-12	3-1/4	4-3/8	13/16	2-1/4	1-3/4	1-1/2	3	134,000	590.82
CM-BD-1750	1-3/4"-12	3-1/4	4-3/8	13/16	2-1/4	1-3/4	1-1/2	3	134,000	590.39
CM-BD-1875	1-7/8"-12	3-3/4	5-7/16	7/8	3	2	1-7/8	3-1/2	240,000	864.15

NOTE: Metric Thread Sizes Also Available



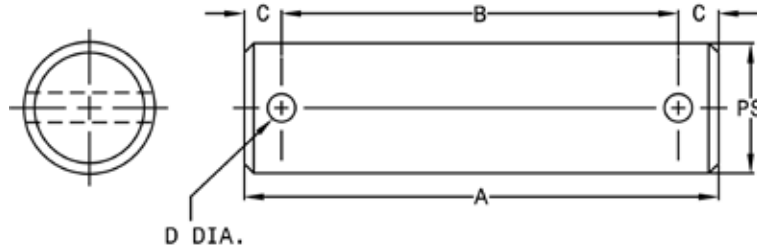
INDUSTRIAL MOUNTS

Pivot Pin



Material: 1144 Steel Nitrotec
Treated Surface

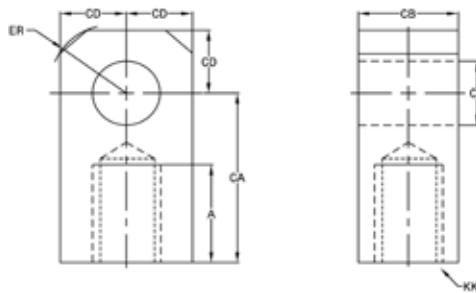
PART NUMBER	PIN SIZE	A	B	C	D	LIST PRICE
CM-PP0500	0.500	2.281	1.938	0.172	0.106	\$9.18
CM-PP0750	0.750	3.094	2.719	0.188	0.140	11.79
CM-PP1000	1.000	3.594	3.219	0.188	0.140	25.14
CM-PP1375	1.375	4.656	4.250	0.203	0.173	40.18
CM-PP1750	1.750	5.656	5.250	0.203	0.173	63.75
CM-PP2000	2.000	5.719	5.281	0.219	0.204	77.34
CM-PP2500	2.500	6.781	6.313	0.234	0.219	203.17



Material: 05 thru
13, C.F. Bar
Material: 17 thru
40, Steel Plate

Rod Eyes

PART NUMBER	A	CA	CB	CD	ER	KK	LIST PRICE
CM-RE0500	3/4	1-1/2	3/4	1/2	5/8	7/16"-20	\$26.74
CM-RE0750	1-1/8	2-1/16	1-1/4	3/4	7/8	3/4"-16	50.35
CM-RE1000	1-5/8	2-13/16	1-1/2	1	1-3/16	1"-14	82.44
CM-RE1375	2	3-7/16	2	1-3/8	1-9/16	1-1/4"-12	155.34
CM-RE1750	2-1/4	4	2-1/2	1-3/4	2	1-1/2"-12	217.67
CM-RE2000	3	5	2-1/2	2	2-1/2	1-7/8"-12	778.17
CM-RE2500	3-1/2	5-13/16	3	2-1/2	2-13/16	2-1/4"-12	1319.38



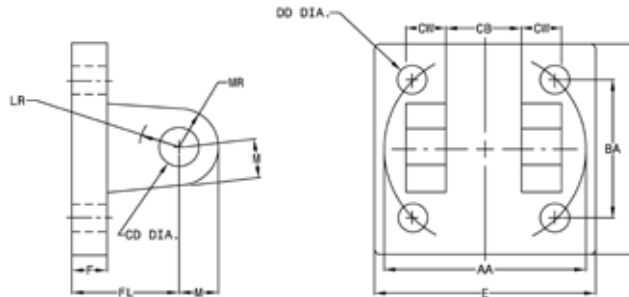
INDUSTRIAL MOUNTS



Clevis Bracket

PART NUMBER	AA	BA	CB	CD	CW	DD	E	F	FL	LR	M	MR	LIST PRICE
CM-BDCB-07	3.6	2-9/16	1.265	3/4	5/8	1/2"-20	3-1/2	5/8	1-7/8	1-1/16	3/4	1-1/16	\$169.54
CM-BDCB-10	4.6	3-1/4	1.515	1	3/4	5/8"-18	4-1/2	3/4	2-1/4	1-1/4	1	1-1/8	284.41
CM-BDCB-13	5.4	3-13/16	2.032	1-3/8	1	5/8"-18	5	7/8	3	7/8	1-3/8	1-3/4	323.70
CM-BDCB-20	8.2	5-3/4	2.531	2	1-1/4	1"-14	7-1/2	1	3-12	2-1/8	2	2-1/8	947.32

Material: Forging, Weldment, or Ductile Iron

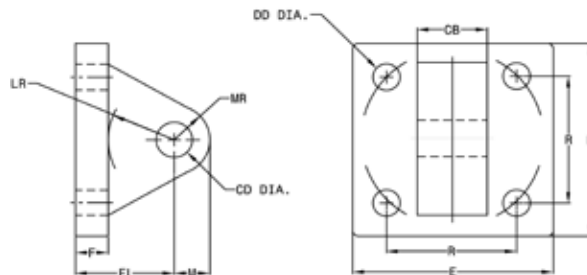


Eye Bracket



Material: Forging, Weldment, or Ductile Iron

PART NUMBER	CB	CD	DD	E	F	FL	LR	M	MR	R	LIST PRICE
CM-BDEB-05	3/4	1/2	13/32	2-1/2	3/8	1-1/8	3/4	1/2	9/16	1.63	\$43.01
CM-BDEB-07	1-1/4	3/4	17/32	3-1/2	5/8	1-7/8	1-1/4	3/4	7/8	2.56	79.52
CM-BDEB-10	1-1/2	1	21/32	4-1/2	3/4	2-1/4	1-1/2	1	1-1/4	3.25	129.81
CM-BDEB-13	2	1-3/8	21/32	5	7/8	3	2-1/8	1-3/8	1-5/8	3.81	223.08
CM-BDEB-17	2-1/2	1-3/4	29/32	6-1/2	7/8	3-1/8	2-1/4	1-3/4	2-1/8	4.95	439.88
CM-BDEB-20	2-1/2	2	1-1/16	7-1/2	1	3-1/2	2-1/2	2	2-7/16	5.75	769.10
CM-BDEB-25	3	2-1/2	1-3/16	8-1/2	1	4	3	2-1/2	3	6.59	992.49
CM-BDEB-30	3	3	1-5/16	9-1/2	1	4-1/4	3-1/4	3	3-1/4	7.50	1205.85
CM-BDEB-40	4-1/2	4	2-1/16	14-7/8	1-15/16	6-7/16	4-1/2	4	5-1/4	11.50	5259.31



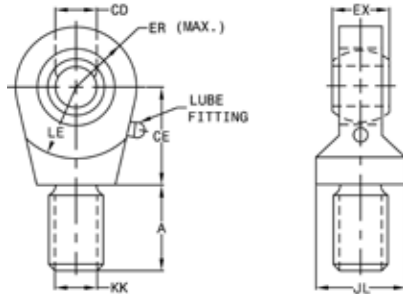
INDUSTRIAL MOUNTS



Spherical Rod Eye

Material: Forging,
Weldment, or Ductile Iron

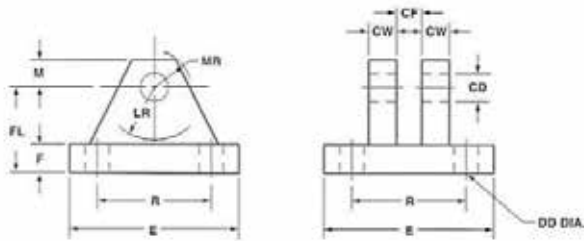
PART NUMBER	CD	A	CE	EX	ER	LE	KK	JL REF	LOAD CAP	SPACER WIDTH	LIST PRICE
CM-RES-05	0.500	11/16	7/8	7/16	7/8	3/4	7/16"-20	7/8	2,600	0.150	\$164.79
CM-RES-07	0.750	1	1-1/4	21/32	1-1/4	1-1/16	3/4"-16	1-5/16	9,400	0.250	206.30
CM-RES-10	1.000	1-1/2	1-7/8	7/8	1-3/8	1-7/16	1"-14	1-1/2	16,800	0.250	221.15
CM-RES-13	1.375	2	2-1/8	1-3/16	1-13/16	1-7/8	1-1/4"-12	2	28,600	0.375	313.20
CM-RES-17	1.750	2-1/8	2-1/2	1-17/32	2-3/16	2-1/8	1-1/2"-12	2-1/4	43,000	0.416	725.05
CM-RES-20	2.000	2-7/8	2-3/4	1-3/4	2-5/8	2-1/2	1-7/8"-12	2-3/4	70,000	0.375	968.32



Spherical Clevis Brackets

Material: Steel Weldment

PART NUMBER	E	F	M	R	CD	CF	CW	DD	FL	LR	MR	LIST PRICE
CM-CBS-0500	3.00	.50	.50	2.05	.500	.44	.50	.41	1.50	.94	.62	\$217.40
CM-CBS-0750	3.75	.62	.88	2.76	.750	.66	.62	.53	2.00	1.38	1.00	332.22
CM-CBS-1000	5.50	.75	1.00	4.10	1.000	.88	.75	.53	2.50	1.69	1.19	434.61
CM-CBS-1375	6.50	.88	1.38	4.95	1.375	1.19	1.00	.66	3.50	2.44	1.62	613.57
CM-CBS-1750	8.50	1.25	1.75	6.58	1.750	1.53	1.25	.91	4.50	2.88	2.06	906.87



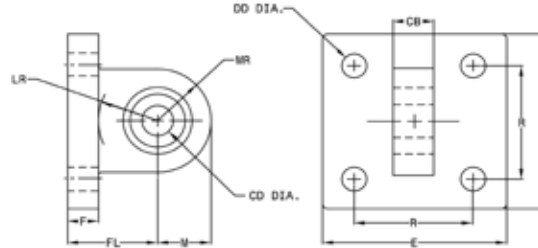
INDUSTRIAL MOUNTS, COUPLINGS AND NUTS



Spherical Eye Bracket

PART NUMBER	CB	CD	DD	E	F	FL	LR	M	MR	R	LIST PRICE
CM-BDS-07	3/4	3/4	17/32	3-1/2	5/8	1-7/8	1-1/4	1-3/16	1-3/16	2.56	\$678.81
CM-BDS-10	1	1	21/32	4-1/2	3/4	2-1/4	1-1/2	1-3/8	1-3/8	3.25	488.04
CM-BDS-13	1-3/8	1-3/8	21/32	5	7/8	3	2-1/8	2	2	3.81	792.31

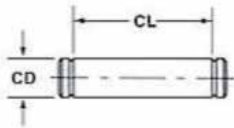
Material: Forging,
Weldment, or Ductile Iron



Pivot Pins for Spherical Clevis Brackets

PART NUMBER	CD	CL	LIST PRICE
CM-PPS0500	.4997-.0004	1 9/16	\$15.94
CM-PPS0750	.7497-.0005	2.1/32	24.68
CM-PPS1000	.9997-.0005	2 1/2	29.23
CM-PPS1375	1.3746-.0006	3 5/16	50.21
CM-PPS1750	1.7496-.0006	4 7/32	98.98
CM-PPS2000	1.9996-.0007	4 15/16	158.05

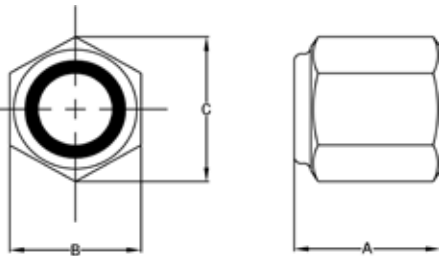
Material: CD1144
- Close tolerance on pin diameter



Nylon Insert Lock Nut

PART NUMBER	BAR SIZE	A	B	C	LIST PRICE
CM-LN45050	1/2"-20	0.60	0.75	0.84	\$6.50
CM-LN45062	5/8"-18	0.75	0.94	1.06	22.57
CM-LN45075	3/4"-16	0.88	1.06	1.19	28.28
CM-LN45087	7/8"-14	1.00	1.25	1.40	15.57
CM-LN45100	1"-14	1.06	1.44	1.62	21.09
CM-LN45101	1"-14	0.88	1.62	1.83	25.12
CM-LN45112	1-1/8"-12	1.19	1.62	1.83	28.94
CM-LN45126	1-1/4"-12	1.38	1.81	2.06	33.66
CM-LN45151	1-1/2"-12	1.62	2.19	2.44	44.23
CM-LN45152	1-1/2"-12	0.81	2.19	2.44	34.72
CM-LN45175	1-3/4"-12	1.50	2.75	3.06	85.10
CM-LN45200	2"-12	1.62	3.12	3.50	90.85
CM-LN45225	2-1/4"-12	1.94	3.50	3.94	193.43
CM-LN45226	2-1/4"-12	2.81	3.50	3.94	264.87
CM-LN45250	2-1/2"-12	2.25	4.00	4.60	419.42

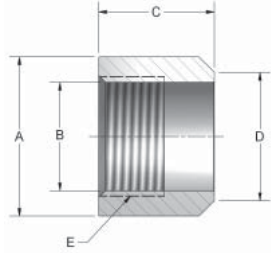
*Grade N8 (Grade C equivalent), except LN45101 is Grade N5 (Grade B equivalent)



PORTS



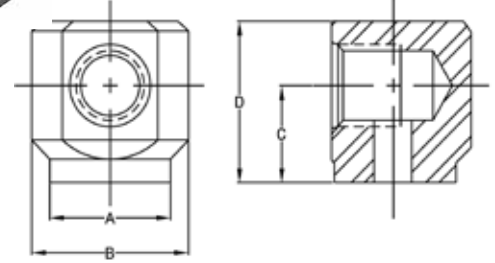
O-ring Boss Half Coupling Port



PART NUMBER	PORT SIZE	A	B	C	D	E	LIST PRICE
CM-PO65304	#4 SAE	0.88	0.389	1.00	0.570	7/16-20	\$15.04
CM-PO65305	#5 SAE	0.88	0.453	0.75	0.880	1/2-20	18.87
CM-PO65306	#6 SAE	1.00	0.508	1.00	0.690	9/16-18	15.61
CM-PO65308	#8 SAE	1.25	0.689	1.06	0.870	3/4-16	16.19
CM-PO65310	#10 SAE	1.38	0.806	1.06	0.990	7/8-14	16.01
CM-PO65312	#12 SAE	1.50	0.981	1.28	1.160	1 1/16-12	22.54
CM-PO65314	#14 SAE	1.63	1.106	1.25	1.290	1 3/16-12	26.43
CM-PO65316	#16 SAE	1.75	1.231	1.28	1.410	1 5/16-12	32.49
CM-PO65320	#20 SAE	2.25	1.544	1.28	1.720	1 5/8-12	42.72
CM-PO65324	#24 SAE	2.75	1.794	1.28	1.980	1 7/8-12	66.89

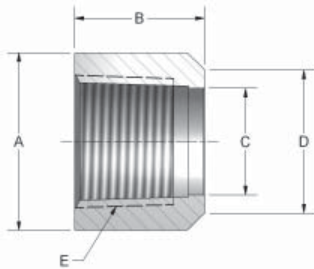


O-ring Boss 90 Degree Port



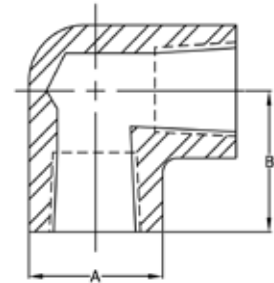
PART NUMBER	BAR SIZE	A	B	C	D	LIST PRICE
CM-PO65604	#4 SAE	0.75	1.12	0.75	1.12	\$34.50
CM-PO65606	#6 SAE	0.87	1.25	0.81	1.25	37.39
CM-PO65608	#8 SAE	1.25	1.62	1.00	1.62	40.91
CM-PO65610	#10 SAE	1.25	1.75	1.12	1.88	47.25
CM-PO65612	#12 SAE	1.50	2.12	1.19	2.00	68.29
CM-PO65616	#16 SAE	1.50	2.25	1.25	2.38	90.86

Pipe Thread Half Coupling



PART NUMBER	PORT SIZE	A	B	C	D	E	LIST PRICE
CM-PO65025	1/4" NPT	0.88	1.06	.391	.570	1/4-18	\$5.10
CM-PO65037	3/8" NPT	1.00	1.00	.520	.690	3/8-18	5.24
CM-PO65050	1/2" NPT	1.25	1.06	.650	.870	1/2-14	7.05
CM-PO65075	3/4" NPT	1.50	1.28	.850	1.160	3/4-14	7.79
CM-PO65100	1" NPT	1.75	1.28	1.050	1.410	1-11.5	15.61
CM-PO65125	1-1/4" NPT	2.25	1.28	1.420	1.720	1 1/4-11.5	27.89
CM-PO65150	1-1/2" NPT	2.75	1.28	1.560	1.980	1 1/2-11.5	33.46

Pipe Thread 90 Degree Port



PART NUMBER	PORT SIZE	A	B	LIST PRICE
CM-PO65225	1/4" NPT	0.75	1.00	\$21.22
CM-PO65237	3/8" NPT	0.88	1.00	31.63
CM-PO65250	1/2" NPT	1.12	1.25	47.23
CM-PO65275	3/4" NPT	1.38	1.38	53.88
CM-PO652751	1" NPT	1.75	1.62	58.90

Assortment Kits and Tools

Contents	Page
O-Ring Kits	224 - 232
O-Ring Splice Kits	233
Back-Up Ring Kits	234
Retainer Ring Kits	235
Assortment Kits	236 - 240
Installation Tools	240 - 241
Splice Tools	241 - 242
Cutting and Chopping Tools	241 - 242
Removal Tools	242 - 245
Dismantling Tools	246
Lifting Slings / Leak Detection Products	247
Remanufacturing Tools	248 - 250
Rotary Thread	251 - 253
Hose Box Fitting Kits	254 - 257
Measuring Tools	258 - 261
Hercules Merchandise	262
Technical Information	263 - 274



**Scan for:
Assortment Kits & Tools
on website**

O-RING KITS

O-RING KIT

Part Number: 568 KIT-A

List Price: \$56.53

DASH NUMBER	QTY
006 THRU 012	20
110 THRU 116	13
210 THRU 222	10
325 THRU 327	7



This kit contains a total of 382 O-Rings in 30 different sizes, providing an extremely low cost per size value.

HNBR O-RING KIT

Part Number: 568 HNBR KIT

List Price: \$89.60

PART NUMBER	QTY
568-008H	20
568-010H	20
568-011H	20
568-012H	20
568-013H	20
568-014H	20
568-015H	15
568-017H	15
568-111H	15
568-116H	15
568-118H	10
568-211H	10



This kit contains a total of 200 70A Durometer HNBR o-rings in 12 different sizes, providing an extremely low cost per size value.

O-RING METRIC KIT

Part Number: METRIC O KIT-J-A

List Price: \$90.96

I.D X C.S. (mm)	QTY	I.D X C.S. (mm)	QTY	I.D X C.S. (mm)	QTY
3 X 2.0	16	14 X 2.5	13	28 X 3.0	12
4 X 2.0	16	16 X 2.5	13	30 X 3.0	12
5 X 2.0	16	17 X 2.5	13	32 X 3.0	12
6 X 2.0	16	19 X 2.5	13	33 X 3.0	12
7 X 2.0	16	19 X 3.0	11	35 X 3.0	12
8 X 2.0	16	20 X 3.0	12	36 X 3.0	12
10 X 2.0	16	22 X 3.0	12	38 X 3.0	12
10 X 2.5	13	24 X 3.0	12	38 X 4.0	9
11 X 2.5	13	25 X 3.0	12	41 X 4.0	9
12 X 2.5	13	27 X 3.0	12	44 X 4.0	9

The Metric O-Kit J-A contains a total of 385 O-Rings in 30 different sizes, another extremely low cost per size value.



MASTER O-RING FITTING KIT

Part Number: MASTER OR FITTING KIT

List Price: \$337.00

PORT DASH SIZE	PART NUMBER	QTY	PORT DASH SIZE	PART NUMBER	QTY
SAE BOSS #4	568-904	50	ORS #8	568-014-90D	50
SAE BOSS #5	568-905	50	ORS #10	568-016-90D	50
SAE BOSS #6	568-906	50	ORS #12	568-018-90D	50
SAE BOSS #8	568-908	50	ORS #16	568-021-90D	50
SAE BOSS #10	568-910	50	ORS #20	568-025-90D	50
SAE BOSS #12	568-912	50	ORS #24	568-029-90D	40
SAE BOSS #14	568-914	40	SAE #8	568-210-90D	50
SAE BOSS #16	568-916	40	SAE #12	568-214-90D	50
SAE BOSS #20	568-920	20	SAE #16	568-219-90D	20
SAE BOSS #24	568-924	10	SAE #20	568-222-90D	20
SAE BOSS #32	568-932	10	SAE #24	568-225-90D	20
ORS #4	568-011-90D	50	SAE #32	568-228-90D	20
ORS #6	568-012-90D	50	SAE #40	568-232-90D	10



This 1000 piece assortment contains 1/16" CS, 1/8" CS, and Boss 90A Durometer NBR O-rings in 26 of the most popular fitting sizes, including O-ring face seals and SAE straight thread boss fittings. Individually separated inside of a sturdy steel case.

O-RING KITS

SAE FLANGE SEALS

Part Number: SAE FLANGE SEALS
List Price: \$58.93

BOX PART NUMBER	PART NUMBER	QTY
-8	568-210-90D	8
-12	568-214-90D	8
-16	568-219-90D	8
-20	568-222-90D	8
-24	568-225-90D	8
-32	568-228-90D	8



Fits SAE J518 code 61/62 split flanges.

FLAT FACE SEALS

Part Number: FLAT FACE O-RINGS
List Price: \$61.26

BOX PART NUMBER	PART NUMBER	QTY
-4	568-011-90D	8
-6	568-012-90D	8
-8	568-014-90D	8
-10	568-016-90D	8
-12	568-018-90D	8
-16	568-021-90D	8
-20	568-025-90D	8
-24	568-029-90D	8



Fits SAE O-ring face seal fittings.

BOSS & TUBE SEALS

Part Number: BOSS-TUBE FITTINGS-1
List Price: \$42.25
Part Number: BOSS-TUBE FITTINGS-2
List Price: \$60.40

BOX PART NUMBER	PART NUMBER	QTY	KIT NUMBER
-2	568-902	8	FITTINGS-1
-3	568-903	8	FITTINGS-1
-4	568-904	8	FITTINGS-1
-5	568-905	8	FITTINGS-1
-6	568-906	8	FITTINGS-1
-8	568-908	8	FITTINGS-1
-10	568-910	8	FITTINGS-1
-12	568-912	8	FITTINGS-1
-14	568-914	8	FITTINGS-1
-16	568-916	8	FITTINGS-2
-20	568-920	8	FITTINGS-2
-24	568-924	8	FITTINGS-2
-32	568-932	8	FITTINGS-2

Fits SAE Boss straight thread tube fittings.



HOSE END & ADAPTER KIT

Part Number: O-R FITTING KIT
List Price: \$240.23

This handy kit contains 27 sizes and 216 pieces of 90A Durometer O-rings for boss, split flange, and flat face hose end fittings and adapters. Each box has a graphic label identifying the type of application and dash number for the seal. A chart on the back of the box lists popular OEM part number matches for each O-ring.



Part Number: O-R FITTING KIT-V
List Price: \$524.87

This handy kit contains 27 sizes and 216 pieces of 90A Durometer O-rings for boss, split flange, and flat face hose end fittings and adapters. Each box has a graphic label identifying the type of application and dash number for the seal. A chart on the back of the box lists popular OEM part number matches for each O-ring.



O-RING KITS

SAE 900 O-RING BOSS FLUOROCARBON KIT

Part Number: 900 BOSS FC
List Price: \$306.47

PART NUMBER	QTY	SAE PORT SIZE
568-901V	10	-1
568-902V	10	-2
568-903V	10	-3
568-904V	10	-4
568-905V	12	-5
568-906V	12	-6
568-907V	12	-7
568-908V	12	-8
568-909V	12	-9
568-910V	12	-10
568-911V	10	-11
568-912V	10	-12
568-913V	10	-13
568-914V	10	-14
568-916V	10	-16
568-918V	10	-18
568-920V	10	-20
568-924V	10	-24
568-928V	10	-28
568-932V	10	-32



This 212 piece assortment contains the most popular size 90 Durometer FKM Boss O-rings in 20 different fitting sizes, individually separated, which will supply your shop, service truck, or parts counter with the sizes you need!

SAE J514 O-RING BOSS KIT

Part Number: 900 BOSS KIT
List Price: \$59.25

PART NUMBER	QTY	SAE PORT SIZE
568-901	10	-1
568-902	10	-2
568-903	10	-3
568-904	10	-4
568-905	12	-5
568-906	12	-6
568-907	12	-7
568-908	12	-8
568-909	12	-9
568-910	12	-10
568-911	10	-11
568-912	10	-12
568-913	10	-13
568-914	10	-14
568-916	10	-16
568-918	10	-18
568-920	10	-20
568-924	10	-24
568-928	10	-28
568-932	10	-32



This 212 piece assortment contains the most popular size 90 Durometer Boss O-rings in 20 different fitting sizes, individually separated, which will supply your shop, service truck, or parts counter with the sizes you need!

O-RING FACE KIT

Part Number: 568 FACE KIT
List Price: \$53.10

DASH NUMBER	FITTING	QTY
011-90D	#4	25
012-90D	#6	25
014-90D	#8	25
016-90D	#10	25
018-90D	#12	20
021-90D	#16	15
025-90D	#20	10
029-90D	#24	10



This kit contains a total of 155 90 Durometer O-Rings in 8 different sizes, providing an extremely low cost per size value.

SAE CODE 61 & 62 O-RING FLANGE KIT

Part Number: 568 FLANGE KIT
List Price: \$62.47

DASH NUMBER	FITTING	QTY
210-90D	1/2"	10
214-90D	3/4"	10
219-90D	1"	10
222-90D	1-1/4"	10
225-90D	1-1/2"	10
228-90D	2"	10
232-90D	2-1/2"	10



This kit contains a total of 70, 90 Durometer O-Rings, in 7 different sizes, providing an extremely low cost per size value.

O-RING KITS

SPLIT FLANGE SEAL KIT

Part Number: SFS KIT

List Price: \$168.50

PART NUMBER	Flange Size	Replaces O-Ring No.	Outside Diam.	QTY
SFS-8	1/2"	-210	1.005	5
SFS-12	3/4"	-214	1.255	5
SFS-16	1"	-219	1.565	5
SFS-20	1-1/4"	-222	1.755	5
SFS-24	1-1/2"	-225	2.125	5
SFS-32	2"	-228	2.500	5
SFS-40	2-1/2"	-232	3.005	5



This kit contains 35 seals in 7 popular sizes for SAE J518 4-Bolt code 61 and code 62 split flanges.

U.S. INDUSTRIAL O-RING KIT

Part Number: 568 KIT

List Price: \$69.86

DASH NUMBER	QTY
005 THRU 011	25
012	15
013 THRU 018	10
110	15
111 THRU 116	10
117 THRU 121	7
210 THRU 211	10
212 THRU 219	7



This kit contains a total of 436 70 Durometer O-Rings in 36 different sizes, providing an extremely low cost per size value.

QUAD RING KIT

Part Number: QUAD-RING KIT

List Price: \$172.02

DASH NUMBER	QTY
4005 THRU 4012	10
4013 THRU 4016	6
4017 THRU 4018	5
4110 THRU 4116	6
4117 THRU 4121	4
4210 THRU 4219	5



The Quad-Ring Kit contains 226 four-lobed seals in 36 popular sizes along with a contents identification card. The Quad Seals are molded from a premium quality 70 durometer Nitrile (Buna-N) compound. Quad Seal sizes correspond to AS568 O-Ring sizes.

QUAD WAREHOUSE KIT

Part Number: QUAD-RING WH KIT

List Price: \$578.48

DASH NUMBER	QTY
4004 THRU 4012	10
4013 THRU 4030	5
4031 THRU 4038	3
4039 THRU 4048	2
4108 THRU 4116	10
4117 THRU 4124	5
4125 THRU 4135	3
4136 THRU 4154	2
4204 THRU 4216	5
4217 THRU 4229	3
4230 THRU 4338	2



Similar to the O-Ring Warehouse kit, the Quad Seal Warehouse kit contains a total of 583 four-lobed seals in 145 different sizes. This kit is ideal for the small distributor who wishes to have a comprehensive on-hand inventory of Quad seals for counter sales.

O-RING KITS

90 DUROMETER O-RING KIT

Part Number: 568 90D KIT

List Price: \$99.49

DASH NUMBER	QTY
005 THRU 011-90D	25
012-90D	15
013 THRU 018-90D	10
110-90D	15
111 THRU 116-90D	10
117 THRU 121-90D	7
210 THRU 211-90D	10
212 THRU 219-90D	7



This kit contains a total of 436 90 Durometer O-Rings in 36 different sizes, providing an extremely low cost per size value.

FLUOROCARBON O-RING KIT

Part Number: 568 FC KIT

List Price: \$435.86

DASH NUMBER	QTY
005 THRU 011V	25
012V	15
013 THRU 018V	10
110V	15
111 THRU 116V	10
117 THRU 121V	7
210 THRU 211V	10
212 THRU 219V	7



This kit contains a total of 436 75 Durometer Fluorocarbon O-Rings in 36 different sizes, providing an extremely low cost per size value.

PTFE O-RING KIT

Part Number: 568 PTFE KIT

List Price: \$172.22

DASH NUMBER	QTY
005 THRU 012T	15
013 THRU 018T	10
110 THRU 116T	10
117 THRU 121T	5
210 THRU 219T	5



This kit contains a total of 325 PTFE O-Rings (55 - 58 Shore D) in 36 different sizes. PTFE O-Rings can withstand temperatures up to 500° F and are impervious to a wide range of chemicals.

FLUOROCARBON O-RING KIT

Part Number: 568 FC KIT-A

List Price: \$192.98

DASH NUMBER	QTY
006 THRU 012	10
110 THRU 114	10
115 THRU 116	5
210 THRU 214	5
216 THRU 222	2
325 THRU 327	2



This kit contains a total of 180 75 Shore A fluorocarbon o-rings in 30 different sizes.

VITON KIT

Part Number: METRIC O KIT-V

List Price: \$173.57

I.D.	C.S	QTY	I.D.	C.S	QTY	I.D.	C.S	QTY
5.00	1.50	20	9.00	2.00	15	19.00	2.00	10
2.20	1.60	20	10.00	2.00	15	20.00	2.00	10
3.10	1.60	20	12.00	2.00	15	10.00	2.50	10
4.10	1.60	20	4.30	2.40	15	13.00	2.50	10
7.10	1.60	20	5.30	2.40	15	14.00	2.50	10
4.00	2.00	20	5.60	2.40	15	15.00	2.50	10
6.00	2.00	20	7.60	2.40	15	17.00	2.50	10
13.00	1.50	15	8.30	2.40	15	18.00	2.50	10
9.10	1.60	15	8.60	2.40	15	19.00	2.50	10
10.10	1.60	15	16.00	1.50	10	9.00	3.00	10
13.10	1.60	15	14.00	2.00	10	10.00	3.00	10
8.00	2.00	15	16.00	2.00	10	11.00	3.00	10



This 500 piece kit contains 75 Shore A fluorocarbon o-rings in 36 metric sizes.

O-RING KITS

O-RING WAREHOUSE KIT

Part Number: 568 WH KIT

List Price: \$868.90

DASH NUMBER	QTY	DASH NUMBER	QTY	DASH NUMBER	QTY
001 THRU 016	20	125 THRU 142	5	325 THRU 328	5
017 THRU 024	10	143 THRU 146	3	329 THRU 330	4
025 THRU 031	7	147 THRU 151	2	331 THRU 338	2
032 THRU 043	5	210 THRU 216	10	901 THRU 914	5
044 THRU 046	2	217 THRU 229	5	916, 918	5
110 THRU 116	15	230 THRU 232	3	920, 924	5
117 THRU 124	10	233 THRU 237	2	928, 932	5

Our O-ring Warehouse kit is ideally suited for the repair shop that needs a large on-hand selection of O-rings to ensure quick repair of all machine types. 1,110 O-Rings in 150 different sizes are included in this kit. Each size is individually packaged in heavy duty ziploc bags to protect against environmental exposure and contamination. All packages are then stored in a sturdy styrene cabinet with pull-out drawers for easy access to parts. Included card shows size, dimensions, and drawer location for each ring.



FLUOROCARBON O-RING WAREHOUSE KIT

Part Number: 568 WH KIT-FC

List Price: \$1,172.55

DASH NUMBER	QTY	DASH NUMBER	QTY	DASH NUMBER	QTY
001 THRU 016V	20	125 THRU 142V	5	325 THRU 328V	5
017 THRU 024V	10	143 THRU 146V	3	329 THRU 330V	4
025 THRU 031V	7	147 THRU 151V	2	331 THRU 338V	2
032 THRU 043V	5	210 THRU 216V	10	901 THRU 914V	5
044 THRU 046V	2	217 THRU 229V	5	916V, 918V	5
110 THRU 116V	15	230 THRU 232V	3	920V, 924V	5
117 THRU 124V	10	233 THRU 237V	2	928V, 932V	5

Our 75 Durometer Fluorocarbon O-ring Warehouse kit is ideally suited for the repair shop that needs a large on-hand selection of O-rings to ensure quick repair of all machine types. 1,110 O-Rings in 150 different sizes are included in this kit. Each size is individually packaged in heavy duty ziploc bags to protect against environmental exposure and contamination. All packages are then stored in a sturdy styrene cabinet with pull-out drawers for easy access to parts. Included card shows size, dimensions, and drawer location for each ring.



90 DUROMETER O-RING WAREHOUSE KIT

Part Number: 568 WH KIT-90D

List Price: \$814.43

DASH NUMBER	QTY	DASH NUMBER	QTY
001 THRU 016-90D	20	217 THRU 229-90D	5
017 THRU 024-90D	10	230 THRU 232-90D	3
025 THRU 031-90D	7	233 THRU 237-90D	2
032 THRU 043-90D	5	325 THRU 328-90D	5
044 THRU 046-90D	2	329 THRU 330-90D	4
110 THRU 116-90D	15	331 THRU 338-90D	2
117 THRU 124-90D	10	901 THRU 914-90D	5
125 THRU 142-90D	5	916, 918-90D	5
143 THRU 146-90D	3	920, 924-90D	5
147 THRU 151-90D	2	928, 932-90D	5
210 THRU 216-90D	10		

Our 90 Durometer O-ring Warehouse kit is ideally suited for the repair shop that needs a large on-hand selection of O-Rings to insure quick repair of all machine types. 1,110 O-Rings in 150 different sizes are included in this kit.



O-RING KITS

MAX O-RING KIT

Part Number: MAX 1381 KIT
List Price: \$594.72

Part Number: MAX 1381 KIT-90D
List Price: \$680.81



These sturdy kits, packaged in a heavy duty box, contain 1415 O-Rings in the most popular sizes. Every service truck should have one of these. Five internal boxes contain 1/16" C/S, 3/32" C/S, 1/8" C/S, Boss, and Flange fitting o-rings. Contents and quantities are listed below.

Flange Seals

DASH NUMBER	QTY
8	10
12	10
16	10
20	5
24	5
32	5

Boss O-Rings

DASH NUMBER	QTY
903	15
904	25
905	15
906	25
908	25
910	25
912	15
916	10

1/16" C/S O-Rings

DASH NUMBER	QTY
006 THRU 018	25
019 THRU 021	20
022 THRU 026	15
028	15
029	10
030	10

1/8" C/S O-Rings

DASH NUMBER	QTY
210 THRU 214	20
215 THRU 222	15
223 THRU 224	10
226	10
228	10
232	10
236	10

3/32" C/S O-Rings

DASH NUMBER	QTY
109 THRU 118	25
119 THRU 120	20
121 THRU 127	15
128	10
129	10
131	10
133	10
135	5

O-RING KITS

COMMON JAPANESE SIZE O-RINGS IN 70 DUROMETER

Part Number: METRIC O KIT-J

List Price: \$109.56

I.D.	C.S	QTY	I.D.	C.S	QTY
2.8	1.9	25	20.8	2.4	8
3.8	1.9	20	21.8	2.4	8
4.8	1.9	20	24.4	3.1	6
5.8	1.9	20	29.4	3.1	7
6.8	1.9	15	21.7	3.5	5
7.8	1.9	15	22.1	3.5	5
8.8	1.9	15	23.7	3.5	7
9.8	1.9	15	24.7	3.5	7
9.8	2.4	15	25.2	3.5	7
10.8	2.4	15	25.7	3.5	7
11.0	2.4	15	27.7	3.5	7
11.8	2.4	12	28.7	3.5	6
12.8	2.4	12	29.2	3.5	6
13.8	2.4	12	29.7	3.5	6
14.8	2.4	12	30.7	3.5	6
15.8	2.4	12	31.2	3.5	6
17.8	2.4	8	14.5	4.0	4
19.8	2.4	8	23.5	4.0	6



This 380 piece kit contains the most popular Japanese Industrial metric O-ring sizes.

COMMON EUROPEAN SIZE O-RINGS IN 70 DUROMETER

Part Number: METRIC O KIT-E

List Price: \$83.70

I.D.	C.S	QTY	I.D.	C.S	QTY
5.0	1.5	20	19.0	2.0	10
13.0	1.5	15	20.0	2.0	10
16.0	1.5	10	4.3	2.4	15
2.2	1.6	20	5.3	2.4	15
3.1	1.6	20	5.6	2.4	15
4.1	1.6	20	7.6	2.4	15
7.1	1.6	20	8.3	2.4	15
9.1	1.6	15	8.6	2.4	15
10.1	1.6	15	10.0	2.5	10
13.1	1.6	15	13.0	2.5	10
4.0	2.0	20	14.0	2.5	10
6.0	2.0	20	15.0	2.5	10
8.0	2.0	15	17.0	2.5	10
9.0	2.0	15	18.0	2.5	10
10.0	2.0	15	19.0	2.5	10
12.0	2.0	15	9.0	3.0	10
14.0	2.0	10	10.0	3.0	10
16.0	2.0	10	11.0	3.0	10



This 500 piece kit contains the most popular European metric O-ring sizes.

O-RING KITS

COMMON JAPANESE SIZE O-RINGS IN 90 DUROMETER

Part Number: METRIC O KIT-J-90D

List Price: \$266.60

I.D.	C.S.	QTY	I.D.	C.S.	QTY
2.8	1.9	25	20.8	2.4	8
3.8	1.9	20	21.8	2.4	8
4.8	1.9	20	24.4	3.1	6
5.8	1.9	20	29.4	3.1	7
6.8	1.9	15	21.7	3.5	5
7.8	1.9	15	22.1	3.5	5
8.8	1.9	15	23.7	3.5	7
9.8	1.9	15	24.7	3.5	7
9.8	2.4	15	25.2	3.5	7
10.8	2.4	15	25.7	3.5	7
11.0	2.4	15	27.7	3.5	7
11.8	2.4	12	28.7	3.5	6
12.8	2.4	12	29.2	3.5	6
13.8	2.4	12	29.7	3.5	6
14.8	2.4	12	30.7	3.5	6
15.8	2.4	12	31.2	3.5	6
17.8	2.4	8	14.5	4.0	4
19.8	2.4	8	23.5	4.0	6



This 380 piece kit contains the most popular Japanese Industrial metric O-ring sizes in 90 durometer NBR.

COMMON EUROPEAN SIZE O-RINGS IN 90 DUROMETER

Part Number: METRIC O KIT-E-90D

List Price: \$284.90

I.D.	C.S.	QTY	I.D.	C.S.	QTY
5.0	1.5	20	19.0	2.0	10
13.0	1.5	15	20.0	2.0	10
16.0	1.5	10	4.3	2.4	15
2.2	1.6	20	5.3	2.4	15
3.1	1.6	20	5.6	2.4	15
4.1	1.6	20	7.6	2.4	15
7.1	1.6	20	8.3	2.4	15
9.1	1.6	15	8.6	2.4	15
10.1	1.6	15	10.0	2.5	10
13.1	1.6	15	13.0	2.5	10
4.0	2.0	20	14.0	2.5	10
6.0	2.0	20	15.0	2.5	10
8.0	2.0	15	17.0	2.5	10
9.0	2.0	15	18.0	2.5	10
10.0	2.0	15	19.0	2.5	10
12.0	2.0	15	9.0	3.0	10
14.0	2.0	10	10.0	3.0	10
16.0	2.0	10	11.0	3.0	10



This 500 piece kit contains the most popular European metric O-ring sizes in 90 durometer NBR.

O-RING SPLICE KITS

O-RING SPLICE KIT INCH SIZES

Part Number: 568 SPLICE KIT

List Price: \$84.49

Kit Contains:

1. Stock of 70 Durometer Buna O-ring Cord*
2. Razor Blade
3. Splicing tool
4. Tube of Adhesive

Replacement Parts

Parts:	List Price
568 SPLICE TOOL	\$16.73 ea
568 ADHESIVE	\$12.71 ea
70 Duro. Cord	



*Cross Sections: 1/16"(.070), 3/32"(.103), 1/8"(.139), 3/16"(.210), 1/4"(.275).
Length: 7 Feet Each

O-RING SPLICE KIT INCH & METRIC SIZES

Part Number: MET/INCH SPLICE KIT

List Price: \$149.68

This kit can produce O-Rings of any standard inch size cross-section plus a wide variety of metric sizes. Each kit contains quick drying adhesive, cutting and splicing jig, razor blade, and 14 lengths of 70 Durometer Buna-N cord stock as follows:

Inch cross-sections: (inch)

1/16" (.070), 3/32" (.103), 1/8" (.139),
3/16" (.210), 1/4" (.275)

Metric cross-sections: (mm)

1.6, 2.0, 2.5, 3.0, 3.5, 4.0, 5.0, 5.7, 8.4

Length: 1 Meter Each



These kits can produce O-Rings of any circumference. The 568 kit contains the most popular inch cross sectional sized O-ring cord. The Metric and Inch Kit has both standard inch size cross sectional cord plus a wide variety of metric sized cord. Both kits contain quick drying adhesive, a cutting and splicing jig, a razor blade and 70 Durometer Buna-N cord.

FLUOROCARBON O-RING SPLICE KIT INCH SIZES

Part Number: 568 FC SPLICE KIT

List Price: \$302.20

Kit Contains:

1. Stock of 75 Durometer Fluorocarbon Cord*
2. Razor Blade
3. Splicing tool
4. Tube of Adhesive

Replacement Parts

Parts:	List Price
568 SPLICE TOOL	\$16.73 ea
568 ADHESIVE	\$12.71 ea
75 Duro. Fluorocarbon Cord	



*Cross Sections: 1/16" (.070), 3/32"(.103), 1/8"(.139), 3/16"(.210),
1/4"(.275). Length: 7 Feet Each

BACK-UP RING KITS

574 BACK-UP RING KIT

Part Number: 574 KIT

List Price: \$148.11

PART NUMBER	QTY	PART NUMBER	QTY
574-005	10	574-114	10
574-006	10	574-115	10
574-007	10	574-116	10
574-008	10	574-117	5
574-009	10	574-118	5
574-010	10	574-119	5
574-011	10	574-120	5
574-012	10	574-121	5
574-013	10	574-210	7
574-014	10	574-211	7
574-015	10	574-212	7
574-016	10	574-213	7
574-017	10	574-214	5
574-018	10	574-215	5
574-110	10	574-216	5
574-111	10	574-217	5
574-112	10	574-218	5
574-113	10	574-219	5



This 293 piece kit contains 36 of the most popular size "Parback®" Style Dished Cross Section back-up rings. Molded of 90A Durometer Buna-N Rubber, they stretch for installation and return quickly to their original size. SIZES CORRESPOND TO O-RING NUMBERS. Your shop and service truck should not be without this handy kit.

575 BACK-UP RING KIT

Part Number: 575 KIT

List Price: \$325.30

PART NUMBER	QTY	PART NUMBER	QTY
575-111	25	575-216	25
575-112	25	575-217	15
575-113	25	575-218	15
575-114	25	575-219	15
575-115	25	575-220	15
575-116	25	575-221	15
575-210	25	575-222	15
575-211	25	575-223	15
575-212	25	575-224	15
575-213	25	575-325	10
575-214	25	575-326	10
575-215	25	575-327	10



This 475 piece kit contains 24 of the most popular size urethane back-up rings. This assortment is essential for parts counters, shop use, and service trucks.

PTFE BACK-UP RING KIT

Part Number: 575 PTFE KIT S

List Price: \$337.70

PART NUMBER	QTY	PART NUMBER	QTY
575-005ST	15	575-114ST	10
575-006ST	15	575-115ST	10
575-007ST	15	575-116ST	10
575-008ST	15	575-117ST	5
575-009ST	15	575-118ST	5
575-010ST	15	575-119ST	5
575-011ST	15	575-120ST	5
575-012ST	15	575-121ST	5
575-013ST	10	575-210ST	5
575-014ST	10	575-211ST	5
575-015ST	10	575-212ST	5
575-016ST	10	575-213ST	5
575-017ST	10	575-214ST	5
575-018ST	10	575-215ST	5
575-110ST	10	575-216ST	5
575-111ST	10	575-217ST	5
575-112ST	10	575-218ST	5
575-113ST	10	575-219ST	5

This 325 piece kit contains 36 of the most popular size PTFE Back-up Rings. These rings are compatible with all hydraulic fluids, since they are virtually chemically inert, and can be used in applications involving elevated operating temperatures. These rings are scarf cut to facilitate installation.



RETAINER RING KITS

SPIRAL WOUND

Part Number: SRR KIT

List Price: \$410.27

PART NUMBER	QTY.	PART NUMBER	QTY.
WHM-050	12	WSM-050	12
WHM-062	12	WSM-062	12
WHM-075	12	WSM-075	12
WHM-087	12	WSM-087	12
WHM-100	12	WSM-100	12
WHM-112	12	WSM-112	12
WHM-125	12	WSM-125	12
WHM-137	12	WSM-137	12
WHM-150	12	WSM-150	12



EATON

Part Number: ERR KIT

List Price: \$524.15

PART NUMBER	QTY.	PART NUMBER	QTY.
NAN-050	12	XAN-050	12
NAN-062	12	XAN-062	12
NAN-075	12	XAN-075	12
NAN-087	12	XAN-087	12
NAN-100	12	XAN-100	12
NAN-112	12	XAN-112	12
NAN-125	12	XAN-125	12
NAN-137	12	XAN-137	12
NAN-150	12	XAN-150	12



Each kit contains: 18 sizes - 9 internal, 9 external • 216 rings per box • 12 rings per size

Each kit has an assortment of retainer rings (Spiral and Eaton style) packed in a reusable plastic box. All rings are made in the USA from carbon spring steel.

EXTERNAL RETAINER RINGS

Part Number: 310 KIT

List Price: \$138.88

PART NUMBER	SHAFT SIZE	QTY.	PART NUMBER	SHAFT SIZE	QTY.
310-100	1.000	5	310-200	2.000	5
310-125	1.250	5	310-225	2.250	5
310-137	1.375	5	310-250	2.500	5
310-150	1.500	5	310-275	2.750	3
310-175	1.750	5	310-300	3.000	3



This assortment contains the most popular size retainer rings commonly used in many applications such as pumps, motors, and forklift cylinders. Boxed in a handy storage and display case, which will supply your shop, service truck, or parts counter with the sizes you need!

INTERNAL RETAINER RINGS

Part Number: 300 KIT

List Price: \$297.11

PART NUMBER	BORE SIZE	QTY.	PART NUMBER	BORE SIZE	QTY.
300-075	0.750	10	300-200	2.000	10
300-087	0.875	10	300-225	2.250	5
300-100	1.000	10	300-250	2.500	5
300-112	1.125	10	300-275	2.750	5
300-125	1.250	10	300-300	3.000	5
300-137	1.375	10	300-350	3.500	5
300-150	1.500	10	300-400	4.000	5
300-162	1.625	10	300-450	4.500	2
300-175	1.750	10	300-500	5.000	2



ASSORTMENT KITS AND TOOLS

ASSORTMENT KITS

CAT® D-RING KIT

Part Number: CTC-4C4784

List Price: \$248.19

PART NUMBER	ID	QTY.
1P3700	19.0	10
1P3702	25.4	10
1P3703	31.9	10
1P3704	38.2	10
1P3705	44.7	10
1P3706	51.1	10
1P3707	54.2	10
1P3708	57.4	5
1P3709	63.9	5



This handy kit, in an unbreakable box, contains the 9 most popular sized D-Rings used on Caterpillar® equipment.

CAT® SILICONE O-RING KIT

Part Number: CTC-4C8253

List Price: \$668.59

PART NUMBER	QTY.	PART NUMBER	QTY.
8M4986	10	8M4992	3
8M8157	5	8M4443	3
8M4437	10	9M9647	3
8M4438	5	8M5010	3
8M4389	5	1S0004	5
8M8283	3	9H6067	5
8M5252	3	9M4849	5
8M5661	3	8M4991	3
8M8515	5	2S2251	5
8M4432	5	8M4390	3
8M5248	5	8M4435	5
8M5254	5	8M4445	5
9M7002	3	8M4446	5
8M4436	3	8M4988	5
8M4987	10	8M4990	3
8M5249	5	6L1651	3



This handy kit, in an unbreakable box, contains 149 silicone o-rings in the 32 most popular sizes used on Caterpillar® equipment.

CAT® FLANGE KIT

Part Number: CTC-2701545

List Price: \$64.44

PART NUMBER	QTY.
4J0524	10
4J0527	10
4J0522	10
4J5267	10
4J5140	10
4J0520	10



This handy kit contains the 6 most popular sized flange seals o-rings used on Caterpillar® equipment.

CAT® NITRILE O-RING KIT

Part Number: CTC-4C4782

List Price: \$419.37

PART NUMBER	QTY.	PART NUMBER	QTY.
4J0527	10	3D2824	20
4J7533	20	2S4078	20
7J0204	20	4J0524	15
3J7354	20	6V9746	20
1J9671	20	5K9090	20
3J1907	20	6V8400	20
4K1388	20	8T0315	20
4J0526	10	6K6307	20
4J0522	15	4J0523	15
4J0520	15	4J5477	20
4J5267	20	6V8397	20
2M9780	20	6V8398	20
7M8485	20	7J9108	20
4J0525	10	3K0360	20
4J0519	15	304606	20
4J5140	20		



This handy kit, in an unbreakable box, contains 570 nitrile o-rings in the 32 most popular sizes used on Caterpillar® equipment.

ASSORTMENT KITS

JOHN DEERE O-RING KIT

Part Number: JD-32X451

List Price: \$103.25

This John Deere O-Ring kit contains a total of 451 components, 70 Shore A and 90 Shore A O-rings. OEM parts numbered for easy reference.

CONTENTS OF KIT

- 160 flat-face fittings
- 291 low pressure fittings



PART NUMBER	QTY.	PART NUMBER	QTY.
R26976	20	T76938*	20
R27490	20	R495R	10
A4365R	20	R27149	10
T77814*	20	A4730R*	10
T77613*	20	T78612*	20
T77857*	20	A3606R	10
F3353R	13	R1225R	10
P46051	13	R29463	10
R394R	13	U12037	10
R459R	13	T78784*	20
T77932*	20	R30319	10
R34404	13	U10289	10
T77858*	20	T11220	10
P47889	13	R31378	10
32240	13	B3690R	10
B2762R	10	P50631	10

* Used for ORS fittings.

JOHN DEERE O-RING KIT

Part Number: JD-AT264180

List Price: \$105.88

This John Deere O-Ring kit contains a total of 82 components, 70 Shore A NBR and 90 Shore A fluorocarbon o-rings. OEM parts numbered for easy reference.



PART NUMBER	QTY.	PART NUMBER	QTY.
0443803	8	4292384	6
0460601	6	4297379	8
4138938	2	4297380	8
4187308	4	4297381	4
4187328	8	4366517	2
4187329	6	4366528	2
4292382	4	971489	4
4292383	8	A810075	2

JOHN DEERE O-RING KIT

Part Number: JD-AT85197

List Price: \$40.23

This kit contains a total of 80, 90 Durometer o-rings in 8 popular sizes used on John Deere equipment.

PART NUMBER	FITTING.	QTY.
T77814	#4	10
T77613	#6	12
T77857	#8	12
T77932	#10	12
T77858	#12	12
T76938	#16	12
T78612	#20	5
T78784	#24	5



KOMATSU O-RING KIT

Part Number: KOM-30-KU-90

List Price: \$484.19

This handy kit, in an unbreakable box, contains 74 21T series o-rings & 165 07000-1 series o-rings in the most popular sizes used on Komatsu equipment.



PART NUMBER	QTY.	PART NUMBER	QTY.	PART NUMBER	QTY.
21T-09-11410	10	07000-12010	10	07000-13025	7
21T-09-11420	8	07000-12011	10	07000-13028	7
21T-09-11430	7	07000-12012	10	07000-13030	7
21T-09-11440	7	07000-12014	10	07000-13032	7
21T-09-11450	7	07000-12015	10	07000-13035	7
21T-09-11460	7	07000-12016	10	07000-13038	5
21T-09-11470	7	07000-12018	10	07000-13040	9
21T-09-11480	7	07000-12020	10	07000-13042	7
21T-09-11490	7	07000-12055	8	07000-13045	7
21T-09-11510	7	07000-13022	7	07000-13048	7

ASSORTMENT KITS

THE ULTIMATE NITRILE O-RING ASSORTMENT

Part Number: 568 KIT-ULTIMATE

List Price: \$ 6,180.85



Includes: 12 drawers and 3 slide racks, plus base. Total weight 232 lbs.

214 Items, 1324 Pieces.

Sizes Include:

-001 THRU -010

-012 THRU -050

-106 THRU -163

-204 THRU -262

-314 THRU -355

-425 THRU -429

3 racks - each one is: 20" wide x 15-3/4" deep x 15" high

1 base - 20-3/8" wide x 16" deep x 15-1/8" high

Approximately 61" from top to bottom

THE ULTIMATE FLUOROCARBON O-RING ASSORTMENT

Part Number: 568 FC KIT-ULTIMATE

List Price: \$ 13,070.39



Includes: 12 drawers and 3 slide racks, plus base. Total weight 232 lbs.

214 Items, 1324 Pieces.

Sizes Include:

-001 THRU -010

-012 THRU -050

-106 THRU -163

-204 THRU -262

-314 THRU -355

-425 THRU -429

3 racks - each one is: 20" wide x 15-3/4" deep x 15" high

1 base - 20-3/8" wide x 16" deep x 15-1/8" high


Approximately 61" from top to bottom

ASSORTMENT KITS

COTTER PIN KIT

Part Number: COTTER PIN KIT

List Price: \$62.65

	1/8" X 1" 150 pcs.	3/32" X 1" 150 pcs.
	1/8" X 1-1/4" 75 pcs.	3/32" X 1-1/2" 100 pcs.
	1/8" X 2" 50 pcs.	5/32" X 2-1/2" 30 pcs.


555 Pieces



WOODRUFF KEY KIT

Part Number: WOODRUFF KEYS KIT

List Price: \$139.74

	1/8" X 1/2" No. 3 16 pcs.	1/8" X 5/8" No. 5 15 pcs.
	3/32" X 5/8" No. 6 15 pcs.	3/16" X 3/4" No. 9 10 pcs.
	1/4" X 7/8" No. A 5 pcs.	1/4" X 1" No. 15 4 pcs.


65 Pieces



GREASE FITTING KIT

Part Number: GREASE FITTING KIT

List Price: \$94.93

	1/8" NPT Straight 6 pcs.	1/4" - 28 Straight 6 pcs.
	3/16" Drive Straight 4 pcs.	1/8" NPT 45 1/8" NPT 90 3 pcs. ea.
	1/4" - 28 45 1/4" - 28 90 3 pc. ea.	5/16" Drive Straight 4 pcs.


32 Pieces



GREASE FITTING KIT-A

Part Number: GREASE FITTING KIT-A

List Price: \$68.82

	1/8" PT Straight 25 pcs.	1/8" PT 45° 1/8" PT 90° 1/8" PT 7.5° 5 pcs.
	1/4"-28 PT Straight 50 pcs.	1/4"-28 PT 45° 1/4"-28 PT 90° 5 pcs.

100 Pieces




NYLON PLUG KIT

Part Number: NYLON PLUG KIT

List Price: \$216.67



	Nyplug-125-125 1/8" x 1/8" 20 pcs.	Nyplug-187-109 3/16" x 7/64" 20 pcs.	Nyplug-250-125 1/4" x 1/8" 20 pcs.	
	Nyplug-125-156 1/8" x 5/32" 20 pcs.	Nyplug-187-187 3/16" x 3/16" 20 pcs.	Nyplug-250-187 1/4" x 3/16" 20 pcs.	Nyplug-312-125 5/16" x 1/8" 20 pcs.
	Nyplug-125-875 1/8" x 7/8" 20 pcs.	Nyplug-187-250 3/16" x 1/4" 20 pcs.	Nyplug-250-250 1/4" x 1/4" 20 pcs.	Nyplug-375-250 3/8" x 1/4" 20 pcs.

220 Pieces
11 Sizes

SET SCREW KIT

Part Number: SSK-INCH

List Price: \$104.41



Use these set screws in confined areas, where there is no room for a protruding head. Nine coarse sizes, three fine sizes.

Hex wrench shown not included. Coarse sizes: 1/8"-40 x 3/16", 5/32"-32 x 3/16", 3/16"-24 x 1/4", 1/4"-20 x 1/4", 1/4"-20 x 3/8", 5/16"-18 x 3/8", 5/16"-18 x 1/2", 3/8"-16 x 3/8", and 3/8"-16 x 1/2".

Fine sizes: 1/4"-28 x 1/4", 5/16"-24 x 3/8", 3/8"-24 x 3/8"

ASSORTMENT KITS & INSTALLATION TOOLS

CAP PLUG KIT

Part Number: CAP PLUG KIT

List Price: \$366.09



The cap plug kit contains 625 cap plugs in 24 of the most popular sizes.

Cap Plug Number	QTY	Cap Plug Number	QTY	Cap Plug Number	QTY
CAP-2-X	50	CAP-PD-100	25	CAP-G-22	20
CAP-4	50	CAP-PD-120	25	CAP-G-25	20
CAP-6-X	50	CAP-PD-140	20	CAP-G-27	20
CAP-9	50	CAP-PD-160	20	CAP-P-28	25
CAP-12-X	25	CAP-G-2	20	CAP-P-38	25
CAP-14	20	CAP-G-8	20	CAP-P-48	25
CAP-PD-60	25	CAP-G-14	20	CAP-P-68-H	25
CAP-PD-80	25	CAP-G-18	20	CAP-P-88-H	20

CAP PLUG CASE

Part Number: CAP PLUG CASE

List Price: \$187.86

This rugged case has 24 empty compartments to hold a limited variety of cap plugs from the master kit (shown above).

Case only - cap plugs sold separately.



SEAL TOOL KIT

Part Number: SEAL TOOL KIT

Net Price: \$399.90

Kit contains:

- Piston seal compressor
- Pick set
- Pi Tape
- Seal installation tool set
- Wear strip cutter
- O-ring adhesive
- Precision cord cutter
- Seal install and remove tool
- O-ring detector



QUALITY ROD U-SEAL INSTALLATION TOOLS



Part Number	Seal ID Range		Max Heel Cross Section	Net Price
IT 100	3/4" to 1-1/4"	19 - 31 mm	0.300"	\$31.08
IT 150	1-3/8" to 1-7/8"	35 - 47 mm	0.360"	31.08
IT 200	2" to 3"	51 - 76 mm	0.600"	31.08
IT 100-NN	3/4" to 1-1/4"	19 - 31 mm	0.300"	31.08
IT 150-NN	1-3/8" to 1-7/8"	35 - 47 mm	0.360"	31.08
IT 200-NN	2" to 3"	51 - 76 mm	0.600"	31.08

These tools aid U-seal installation, eliminating the risk of damaging the seal lip. NN = Without Hercules® logo.

Usage Instructions online at www.HerculesUS.com / Technical / Usage and Installation Instructions / IT Tools Installation and Assembly.

VALUE ROD U-SEAL INSTALLATION TOOLS



Part Number	Seal ID Range		Net Price
SEAL TWISTOR M	1-3/16" to 2"	30 - 50 mm	\$17.13
SEAL TWISTOR L	2" to 2-3/4"	50 - 70 mm	19.28
SEAL TWISTOR XL	2-3/4" to 6-1/2"	70 - 165 mm	21.42

These tools aid Rod U-seal installation, eliminating the risk of damaging the seal lip. Usage Instructions online at www.HerculesUS.com / Technical / Usage and Installation Instructions / IT Tools Installation and Assembly.

INSTALLATION TOOL SET

Part Number: SEAL TWISTOR SET

Net Price: \$64.08

Sizes Included	Max Heel Cross Section
S (22 - 30 mm)	6.6 mm
M (30 - 50 mm)	10.7 mm
L (50 - 70 mm)	19.3 mm
XL (70 - 165 mm)	27.1 mm

This handy tool set has 4 different size installation tools, along with a holder.



INSTALLATION / SPLICING / CUTTING TOOLS

SEAL CLASPER

Part Number: SEAL CLASPER
Net Price: \$146.91



The Seal clasper is designed to press a PTFE piston seal back into the groove. The clasper works on seals from 50mm to 360mm OD. It allows a piston seal to be installed into a cylinder safely and rapidly.

The stainless steel belt can be adjusted according to the dimension of seals. The HPU triangle protector prevents seal damage.

How to use:

1. Adjust the length of stainless steel belt to match the seal.
2. Pull the grid to clasp the PTFE piston seal back into groove.

Part Number: SEAL CLASPER XL
Net Price: \$283.11



The Seal clasper is designed to press a PTFE piston seal back into the groove. The Clasper XL works on seals from 350mm to 710mm OD. It allows a piston seal to be installed into a cylinder safely and rapidly.

The stainless steel belt can be adjusted according to the dimension of seals. The HPU triangle protector prevents seal damage.

How to use:

1. Adjust the length of stainless steel belt to match the seal.
2. Pull the grid to clasp the PTFE piston seal back into groove.

SPLICE IRON

Part Number: SEAL HEATER
Net Price: \$59.86



100 to 400°C

ULTRASHARP 4.0 REPLACEMENT BLADES

Part Number: ULTRASHARP 4.0 BLADE
Net Price: \$9.02

A pack of 10 replacement blades for the "ULTRASHARP 4.0" tool.



O-RING SPLICE TOOL

Part Number: OR SPLICER
Net Price: \$44.69

- Splicing tool for o-rings
- For cross section diameter from 2.5 to 20 mm
- Clamping plates for locking
- Aluminium stands for use with glue or heat



O-RING SPLICE KIT

Part Number: OR SPLICE KIT
Net Price: \$258.86

Kit contains:

- Splice iron
- Pi tape
- Grinding tool
- O-ring adhesive
- Precision cord cutter
- Splice tool



ULTRASHARP 4.0

Part Number: ULTRASHARP 4.0
Net Price: \$71.61



This heavy duty Ultrasharp 4.0 cutter is capable of cutting fabric resin bearing tape up to 4mm thick and 40mm wide. This cutting tool can be easily adjusted to cut at 45°, 60° and 90° with a simple turn of the positioning wheel. It comes with 10 extra cutting blades and spare parts for easy replacement.

INSTALLATION / SPLICING / REMOVAL TOOLS

O-RING CORD CHOPPER

Part Number: ORC CHOPPER

Net Price: \$52.25



- Cuts o-ring cord to prepare it for splicing
- Suitable for cross section from 0.103 to 0.551 inches (2.62 to 14 mm)

CHOPPER BLADES

Part Number: ORC CHOPPER BLADE

Net Price: \$10.39



Quantity of 20 Chopper Blades.

COMBINATION SNAP RING PLIER SET

Part Number: SR PLIER 4PC SET

Net Price: \$23.49

- Effective Range 10-50mm (3/8" - 2.00")
- Combination Internal - External snapping plier set
- Set comes with 180°, 90°, 45°, 3 piece convertible tips.
- Jaws can be exchanged easily for 6 internal - external different purposes



OIL SEAL REMOVAL & INSTALLATION TOOL

Part Number: SR TOOL

Net Price: \$96.15



SSOR PICKER

Part Number: SSOR PICKER

Net Price: \$14.02



A set of 4 picks uniquely designed with spring steel round tips to prevent scratching delicate surfaces such as bronze or damaging O-rings during removal.

O-RING PICK SET

Part Number: OR HOOK

Net Price: \$11.65

This Value package of O-ring Picks in plastic carrying case, aid in the installation and extraction of O-rings.



REMOVAL TOOLS

INTERNAL PLIERS

Part Number: 5R INT PLIER

Net Price: \$66.33

Part Number: 7R INT PLIER

Net Price: \$104.76

*5R INT Plier is an internal plier with a
.090° DIA, 0°
- Effective Range 45-89mm (1.81" - 3-1/2")

*7R INT Plier is a large internal plier with
a .120° DIA, 0°
- Effective Range 77-152mm (3.06" - 6.00")



EXTERNAL PLIERS

Part Number: 66R EXT PLIER

Net Price: \$66.33

Part Number: 8R EXT PLIER

Net Price: \$120.90

*66R EXT Plier is an external plier with a
.115° DIA, 0°
- Effective Range 45-89mm (1.81" - 3-1/2")

*8R EXT Plier is an external plier with a
120° DIA, 0° NO TIPS / 7801R
- Effective Range 90-165mm (3.54" - 6.50")



RETAINER RING PLIERS

Part Number: 8R EXT PLIER

Net Price: \$120.90

- 8R EXT Plier is an external plier with a
120° DIA, 0° NO TIPS / 7801R
- Effective Range 90-165mm (3.54"-
6.50")

*NOTE: 8R EXT PLIER does not include the
needed tips. Tip part number options listed
below. Sold separately.

- 7R/8R PLIER TIPS-STRT
- 7R/8R PLIER TIPS-45DEG
- 7R/8R PLIER TIPS-90DEG

REMOVAL TOOLS

O-RING PICK SET 1

Part Number: O-RING PICK
Net Price: \$9.28

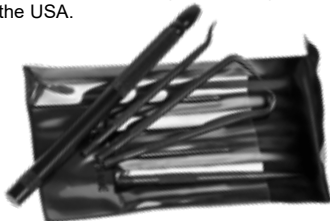
These bronze O-ring picks, w/ black vinyl case, aid in the installation and extraction of O-rings.



O-RING PICK SET 2

Part Number: O PICK SET
Net Price: \$49.33

Designed for heavy duty use and packaged in a clear vinyl pouch, this kit contains a knurled handle and four screw-in picks with different hook configurations. Set includes straight tip, o-ring 90° tip, hook tip, and angle tip. Made in the USA.



SNAP-ON O-RING PICK SET 4

Part Number: MAXI PICK SET
Net Price: \$87.37

Designed for heavy duty use and packaged in a plastic pouch, these highly visible picks feature screwdriver-type colored handles. Set includes awl, hook tip, 45° bent tip tool, and 90° bent tip tool. Made in the USA.



CHEVRON ASSEMBLY TOOL

Part Number: CM-376-9067-001
Net Price: \$80.69

Vee Packing assembly tool for Telescopic Cylinders.



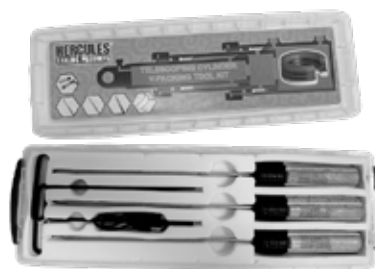
GLAND REMOVAL TOOLS

Part Number	Bore Diameter	List Price
JD-6.00X0.40-IT	6"	\$42.70
JD-70MM-IT	70 mm	14.76
JD-80MM-IT	80 mm	15.79
JD-90MM-IT	90 mm	17.37
JD-100MM-IT	100 mm	20.01

Part Number	List Price
JD-45MM-IT	\$7.82
JD-50MM-IT	5.22
JD-53MM-IT	8.41
JD-56MM-IT	8.72
JD-63MM-IT	13.11
JD-110MM-IT	21.83
JD-115MM-IT	26.11
JD-125MM-IT	24.36
JD-140MM-IT	25.88

5 PIECE TOOL KIT SET

Part Number: CH-TK-1
Net Price: \$143.56



Vee Packing tool kit set for Telescopic Cylinders.

8 PIECE O-RING PICK SET

Part Number: O PICK SET-A
Net Price: \$29.68



This economical seal pick tool set lowers your chance of surface damage. It contains 8 different hard metal hooks with sturdy plastic handles.

REMOVAL TOOLS

11 PIECE PACKING TOOL KIT

Part Number: **PACK TOOL SET-11**
 Net Price: **\$205.28**



Part Number	QTY	Part Number	QTY
FPH-312R	2	FPH-RTC312	3
FPH-437R	2	FPH-RTC437	3
SSP-125	1	WRENCH	1
SSP-187	1	BOX	1
SSP-312	1		

REPLACEABLE WOODSCREW TIPS

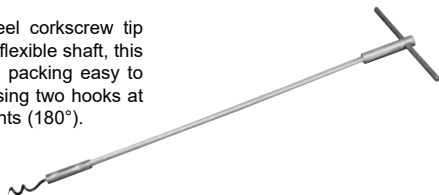
Part Number	Packing Space	Net Price
FPH-RTW312	5/16"-up	\$11.67
FPH-RTW437	7/16"-up	13.70
FPH-RTW500	1/2"-up	14.10



FLEXIBLE PACKING HOOKS

Part Number	Packing Space	Length	Net Price
FPH-187	3/16"-up	6-1/2"	\$22.57
FPH-312R	5/16"-up	7-1/2"	24.74
FPH-437R	7/16"-up	10-1/2"	27.19
FPH-500R	1/2"-up	14-1/2"	37.10

With a tempered tool steel corkscrew tip and a woven strand steel flexible shaft, this tool makes hard to reach packing easy to pull out. Works best by using two hooks at diametrically opposed points (180°).



17 PIECE PACKING TOOL KIT

Part Number: **PACK TOOL SET-17**
 Net Price: **\$338.84**



Part Number	QTY	Part Number	QTY
FPH-312R	2	FPH-RTC437	3
FPH-437R	2	FPH-RTC500	3
FPH-500R	2	FPH-RTW312	1
SSP-125	1	FPH-RTW437	1
SSP-187	1	FPH-RTW500	1
SSP-312	1	WRENCH	1
FPH-RTC312	3	BOX	1

REPLACEABLE CORKSCREW TIPS

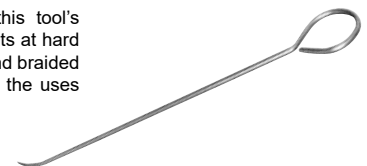
Part Number	Packing Space	Net Price
FPH-RTC312	5/16"-up	\$9.90
FPH-RTC437	7/16"-up	28.05
FPH-RTC500	1/2"-up	14.84



SOLID SHAFT PICKS

Part Number	Packing Space	Length	Net Price
SSP-125	1/8 -up	9-1/2"	\$32.28
SSP-187	3/16 -up	10"	39.69
SSP-312	5/16"-up	10"	63.75

Formed from hardened steel, this tool's length and sharp angled point gets at hard to reach o-rings, back-up rings and braided packing. You'll be amazed at all the uses you find for this tool.

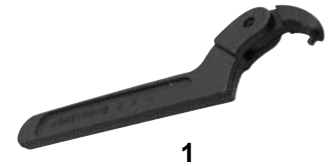


DISMANTLING TOOLS

SPANNER WRENCHES

(1) ADJUSTABLE HEAD — PIN STYLE

PART NUMBER	PART OD RANGE	PIN DIA.	PIN LGTH.	NET PRICE
SPAP-2.00X0.13	3/4" to 2" (19mm to 50mm)	1/8"	1/8"	\$83.31
SPAP-2.00X0.19	3/4" to 2" (19mm to 50mm)	3/16"	5/32"	83.31
SPAP-3.00X0.19	1-1/4" to 3" (32mm to 76mm)	3/16"	3/16"	91.09
SPAP-3.00X0.25	1-1/4" to 3" (32mm to 76mm)	1/4"	7/32"	91.09
SPAP-4.75X0.25	2" to 4-3/4" (51mm to 120mm)	1/4"	1/4"	115.85
SPAP-6.25X0.38	4-1/2" to 6-1/4" (115mm to 159mm)	3/8"	1/4"	128.15



1

(2) ADJUSTABLE HEAD — HOOK STYLE

PART NUMBER	PART OD RANGE	HOOK WD.	HOOK DP.	NET PRICE
SPAH-2.00	3/4" to 2" (19mm to 50mm)	11/32"	1/8"	\$75.86
SPAH-3.00	1-1/4" to 3" (32mm to 76mm)	13/32"	5/32"	87.41
SPAH-4.75	2" to 4-3/4" (51mm to 120mm)	15/32"	3/16"	110.40
SPAH-6.25	4-1/2" to 6-1/4" (115mm to 159mm)	15/32"	1/4"	118.07
SPAH-8.75	6-1/8" to 8-3/4" (155mm to 222mm)	15/32"	5/16"	164.45



2

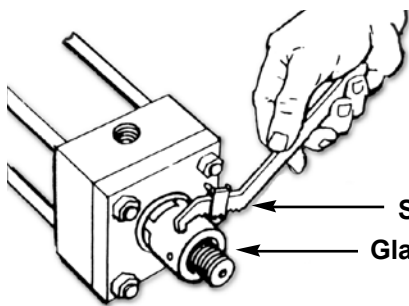
(3) ADJUSTABLE FACE — PIN STYLE

PART NUMBER	DIA. RANGE (CENTER TO CENTER)	PIN DIA.	PIN LGTH.	NET PRICE
SPAPF-2.00X0.19	5/8" to 2" (16mm to 50mm)	3/16"	1/8"	\$67.15
SPAPF-3.00X0.25	5/8" to 3" (16mm to 76mm)	1/4"	3/16"	98.13
SPAPF-4.00X0.31	5/8" to 4" (16mm to 101mm)	5/16"	1/4"	135.55



3

PARKER GLAND WRENCHES



Spanner Wrench (Sold Separately Above)

Gland Wrench



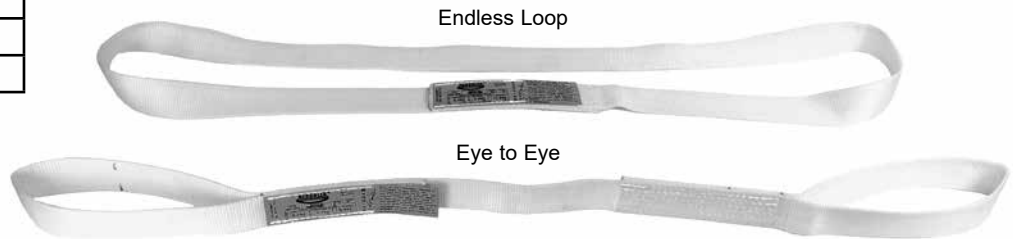
Rod Dia.	Kit #	ID X OD X HT	Net Price	Spanner (Sold Separately Above)
1/2", 5/8", 12mm & 14mm	PKH-069590	11/16" X 1-1/8" X 1-3/8"	\$51.64	SPAP-2.00X0.19
18mm	PKH-084765	13/16" X 1-1/4" X 1-7/16"	46.11	SPAP-2.00X0.19 or SPAP-3.00X0.19
1" & 22mm	PKH-069591	1-1/16" X 1-5/8" X 1-1/2"	31.20	SPAP-2.00X0.19 or SPAP-3.00X0.19
28mm	PKH-084766	1-1/4" X 1-11/16" X 1-9/16"	44.11	SPAP-2.00X0.19 or SPAP-3.00X0.19
1-3/8" & 36mm	PKH-069592	1-7/16" X 1-7/8" X 1-5/8"	60.41	SPAP-2.00X0.19 or SPAP-3.00X0.19
1-3/4" & 45mm	PKH-069593	1-13/16" X 2-1/4" X 1-5/8"	57.43	SPAP-3.00X0.25 or SPAP-4.75X0.25
2"	PKH-069594	2-1/16" X 2-1/2" X 2"	71.32	SPAP-3.00X0.25 or SPAP-4.75X0.25
2-1/2" & 56mm	PKH-069595	2-9/16" X 3" X 2-1/8"	112.63	SPAP-3.00X0.25 or SPAP-4.75X0.25
70mm	PKH-069596	2-15/16" X 3-1/2" X 2-3/8"	122.90	SPAP-4.75X0.25

LIFTING SLINGS

Hercules now carries new synthetic web lifting slings which are primarily composed of nylon. Our lifting slings are a soft and flexible solution to rigging and are offered in endless and eye to eye styles. All of the synthetic web slings are constructed with 9800 lbs. maximum load rated heavy duty webbing, and are in full compliance with current ASME B30.9 standards, with a 5:1 safety factor.

Nylon web slings with flat eye to eye loops are one of the most popular straps for lifting because of their versatility: they can be used in a choker, basket or vertical hitch. The design also makes it easy to remove from underneath a load.

Material	Nylon
Max Temperature	180°F
UV Degradation	High



Part Number	Width (in)	Length (ft)	Product	Vertical Load Limit (lbs.)	Choker Load Limit (lbs.)	Basket Load Limit (lbs.)	Net Price
SLEN1-4	1"	4'	Endless Loop	3200	2500	6400	\$14.87
SLEN1-6	1"	6'	Endless Loop	3200	2500	6400	20.21
SLEN2-4	2"	4'	Endless Loop	6400	5000	12800	24.53
SLEN2-6	2"	6'	Endless Loop	6400	5000	12800	33.96
SLEN2-8	2"	8'	Endless Loop	6400	5000	12800	43.73
SLEE1-4	1"	4'	Eye to Eye	1600	1200	3200	14.21
SLEE1-6	1"	6'	Eye to Eye	1600	1200	3200	16.21
SLEE2-4	2"	4'	Eye to Eye	3200	2400	6400	23.00
SLEE2-6	2"	6'	Eye to Eye	3200	2400	6400	26.92
SLEE2-8	2"	8'	Eye to Eye	3200	2400	6400	31.72

LEAK DETECTION

LEAK DETECTION KIT

Part Number: LDU-SPI-VLOG44

Net Price: \$233.76

HOW IT WORKS

A small amount of liquid fluorescent dye is added to a circulating fluid system that is being inspected for leaks. The system is then run for a short time to allow the dye to mix and circulate with the host fluid. The dye/fluid mixture escapes with the host fluid wherever there is a leak and glows a bright yellow/green when inspected with a high-intensity violet light LED lamp. This method is extremely effective in locating even the smallest, most elusive leaks, as well as multiple leaks.



The LDU-SPI-VLOG44 kit will contain:

- LDU-SPI-VL, an LED violet-light flashlight
- (3) AAA batteries
- OIL-GLO-44, 8 ounces of dye
- Glow Away Plus, 2 ounces dye cleaner
- Enhancing lenses
- Dye treatment tags
- Carrying case

INDIVIDUAL LEAK DETECTION PRODUCTS

Part Number	Description	Net Price
LDU-CR-800	CLEANER, 8 OZ SPRAY	\$15.51
LDU-OIL-GLO-44-P	DYE, ALL-IN-ONE, 16 OZ	140.94
LDU-SPI-VL	LAMP, LED, VIOLET LIGHT	141.82
LDU-UVS-40	SPECTACLES, UV ENHANCING	25.37

16oz dye container treats up 128 gallons

FORMERLY LISTED REPAIR PARTS ARE AVAILABLE ONLINE AT WWW.HERCULESUS.COM OR BY CONTACTING YOUR REGIONAL HERCULES SALES TEAM.

REMANUFACTURING TOOLS

PORTABLE HONES - AN-815

Part Number: H-S-AN-815

Net Price: \$748.00

Hand Feed - ID Range 64-533 mm (2.500" - 21.000")
For occasional heavy-duty portable honing

Illustration shows standard AN-815 Portable Hone assembled with single length master holder set and stone set. Requires 16 mm (5/8") chuck capacity for 63.5-127 mm (2.5"-5") diameter. Requires 19mm (3/4") chuck capacity for 127-381 mm (5"-15") diameter. Requires 25.4 mm (1") chuck capacity for larger than 381 mm (15") diameter.



Weight 2.3 kg (5 lbs).

FOR A COMPLETE PORTABLE HONE ORDER A + B + C + D + E				A - BASIC HONE	B - MASTER HOLDER SETS				C - STONE SUPPORT		D - STONE SET	E - SHAFT EXTENSION
Diameter Range					Single Length		Double Length		Part Number	Net Price		
General Purpose Stone Sets		Guideless and Keyway Stone Sets			Part Number	Net Price	Part Number	Net Price				
mm	Inches	mm	Inches	Part Number					Net Price	Part Number	Net Price	Part Number
64-140	2.5-5.5	64-142	2.5-5.6	See Hone H-S-AN-815 Above	None	-	None	-	None	-	See Table on the next page for portable hone stone sets	For long holes - see table below for Shaft Extensions.
104-160	4.1-6.3	114-165	4.5-6.5		H-S-AN-345	\$382.50	None	-	None	-		
119-178	4.7-7.0	130-183	5.1-7.2		H-S-AN-355	327.86	H-S-AN-855	\$595.00	None	-		
152-229	6.0-9.0	163-234	6.4-9.2		H-S-AN-365	391.00	H-S-AN-865	595.00	H-S-AN-260	\$238.00		
206-305	8.1-12.0	213-310**	8.4-12.2**		H-S-AN-375	416.50	None	-	H-S-AN-280	156.40		
279-381	11.0-15.0	284-386**	11.2-15.2**		H-S-AN-385	399.50	None	-	H-S-AN-290	184.96		
356-457	14.0-18.0	363-465**	14.3-18.3**	See hone above	H-S-AN-395	425.00	H-S-AN-895	646.00	H-S-AN-340	204.00		
432-533	17.0-21.0	437-538**	17.2-21.2**		H-S-AN-415	408.00	None	-	None	-		

* For light work only in this diameter range.

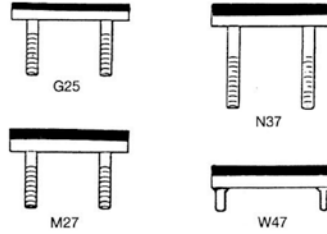
** Do not use WW (Guideless) Stone Sets in this range due to lack of stability.

Length		AN-815 Shaft Extensions	
mm	Inches	Part Number	NET Price
76	3	None	-
152	6	H-S-AN-840	\$161.50
235	9.25	None	-
305	12	None	-
483	19	None	-
610	24	H-S-AN-842	340.00
1086	42.75	None	-
1220	48	H-S-AN-844	629.00
1835	72.25	None	-

REMANUFACTURING TOOLS

HONE STONE SETS FOR AN-815 AND ANR-275

Hone Stone Sets for 2.5" to 60"* diameter, portable tools (two stones and two guides per set). Stone length is 102 mm (4") or 203 mm (8") when two sets of stones are used with double length master holder set. For Industrial applications. From fast stock removal in deburred, bored, ground, or reamed holes to fine finishing in previously honed holes, these hone stone sets are in stock and ready for next day delivery.



Stone Number	Diameter
G25	2.5 - 2.7
M27	2.7 - 4.1
N37	3.5 - 5.5
W47	4.1 - 60.0*

* Requires Master Holder Set - Limited to 21" with H-S-AN-815

ALUMINUM OXIDE STONES

MODEL		G25		M27		N37		W47	
GRIT SIZE		64 TO 69 mm 2.5" - 2.7"	NET PRICE	69 TO 104 mm 2.7" - 4.1"	NET PRICE	89 TO 140 mm 3.5" - 5.5"	NET PRICE	104 TO 1524 mm 4.1" - 60"***	NET PRICE
80	HARD - SOFT	H-S-G25-A23	\$32.76	H-S-M27-A23	\$32.76	H-S-N37-A23	\$32.76	H-S-W47-A23	\$32.76
		H-S-G25-A25	32.76	H-S-M27-A25	32.76	H-S-N37-A25	32.76	H-S-W47-A25	32.76
		H-S-G25-R25X	32.76	H-S-M27-R25X	32.76	H-S-N37-R25X	32.76	H-S-W47-R25X	32.76
		H-S-G25-A27	32.76	H-S-M27-A27	32.76	H-S-N37-A27	32.76	H-S-W47-A27	32.76
150	H - S	H-S-G25-A43	\$32.76	H-S-M27-A43	\$32.76	H-S-N37-A43	\$32.76	H-S-W47-A43	\$32.76
		H-S-G25-A45	32.76	H-S-M27-A45	32.76	H-S-N37-A45	32.76	H-S-W47-A45	32.76
		H-S-G25-A47	32.76	H-S-M27-A47	32.76	H-S-N37-A47	32.76	H-S-W47-A47	32.76
220	H - S	-	-	-	-	H-S-N37-A55	\$32.76	H-S-W47-A55	\$32.76
280	H - S	-	-	-	-	-	-	H-S-W47-A63	\$32.76
		H-S-G25-A65	\$32.76	H-S-M27-A65	\$32.76	H-S-N37-A65	\$32.76	H-S-W47-A65	32.76
		-	-	H-S-M27-A67	32.76	-	-	H-S-W47-A67	32.76

SILICON CARBIDE STONES

MODEL		G25		M27		N37		W47	
GRIT SIZE		64 TO 69 mm 2.5" - 2.7"	NET PRICE	69 TO 104 mm 2.7" - 4.1"	NET PRICE	89 TO 140 mm 3.5" - 5.5"	NET PRICE	104 TO 1524 mm 4.1" - 60"***	NET PRICE
70	HARD - SOFT	-	-	-	-	-	-	H-S-W47-J11	\$32.76
		-	-	-	-	-	-	H-S-W47-J13	32.76
		H-S-G25-J15	\$32.76	-	-	-	-	H-S-W47-J15	32.76
		H-S-G25-J17	32.76	H-S-M27-J17	\$32.16	H-S-N37-J17	\$32.76	H-S-W47-J17	32.76
150	H - S	-	-	-	-	-	-	H-S-W47-J43	\$32.76
		H-S-G25-J45	\$32.76	H-S-M27-J45	\$32.76	H-S-N37-J45	\$32.76	H-S-W47-J45	32.76
		H-S-G25-J47	32.76	H-S-M27-J47	32.76	H-S-N37-J47	32.76	H-S-W47-J47	32.76
220	H - S	-	-	H-S-M27-J55	\$32.16	-	-	H-S-W47-J55	\$32.76
		-	-	-	-	-	-	-	-
280	H - S	-	-	H-S-M27-J63	\$32.76	-	-	H-S-W47-J63	\$32.76
		H-S-G25-J65	\$32.76	H-S-M27-J65	32.76	H-S-N37-J65	\$32.76	H-S-W47-J65	32.76
		-	-	-	-	H-S-N37-J67	32.76	H-S-W47-J67	32.76
400	H - S	H-S-G25-J85	\$32.76	H-S-M27-J85	\$32.76	H-S-N37-J85	\$32.76	H-S-W47-J85	\$32.76
		H-S-G25-J87	32.76	H-S-M27-J87	32.76	H-S-N37-J87	32.76	H-S-W47-J87	32.76

* R25X - Red aluminum oxide / sulfur Impregnated

** Requires Master Holder Set - Limited to 21" with H-S-AN-815 and H-ANR-275

ADDITIONAL HONE STONE SET AVAILABLE

This Hone Stone Set offers quick stock removal and fine finishing in both treated and previously honed holes. Available in stock for next-day delivery.

PART NUMBER	BORE SIZE	MATERIAL	GRIT SIZE	HARDNESS	NET PRICE
H-S-H70-A45	2.900 - 11.500	Aluminum Oxide	150	Medium	\$46.68

FORMERLY LISTED REPAIR PARTS ARE AVAILABLE ONLINE AT WWW.HERCULESUS.COM
OR BY CONTACTING YOUR REGIONAL HERCULES SALES TEAM.

REMANUFACTURING TOOLS

HONING OIL - 5 GALLON PAIL

Part Number: H-S-TA-230-5

Net Price: \$249.90

Honing Oil is specially compounded for ferrous and non ferrous honing to:

- Dissipate heat from the workpiece
- Lubricate tool contact surfaces (guides)
- Flush bore free of honing swarf
- And maintain clean, free cutting abrasive conditions

Recommended for continuous honing of most materials, including: steel, cast iron, carbide, aluminum, bronze and ceramics. Use with any make honing equipment or tooling.



PISTON SEAL REFORMING TOOL

Part Number: PS CONSTRICTOR

Net Price: \$20.41



PTFE Piston seal resizing tool.

PISTON SEAL STRETCHER

Part Number: SEAL STRETCHER PLUS

Net Price: \$176.59

This Seal Stretcher is heavy duty with a handle for easier use and includes the following:

- 8 stepped segments
- 1 top nut/handle
- 5/16" thick aluminum flat base including 4 mounting bolt holes
- 1 threaded rod with a piston pre-installed
- 1 stop adjustable nut
- Assembly instructions sheet



Usage instructions are online at www.HerculesUS.com/Technical/Usage and [Installation Instructions/Seal Stretcher Instructions](#).

ROTARY THREAD® FILES

15 PIECE MASTER TOOL KIT

Part Number: HRTR-K2.1
 Net Price: \$302.02



Part Number	Qty	Part Number	Qty
HRTR-1	1	HRTR-5B	1
HRTR-2	1	HRTR-5S1	1
HRTR-2L	1	HRTR-5S2	1
HRTR-3S2	1	HRTR-C1	1
HRTR-4	1	HRTR-M3	1
HRTR-4S1	1	HRTR-M5	2
HRTR-5	1		
HRTR-5A	1		

8 PIECE STANDARD KIT

Part Number: HRTR-K3.1
 Net Price: \$128.75



Part Number	Quantity
HRTR-2L	1
HRTR-C1	1
HRTR-5	1
HRTR-1	1
HRTR-4	1
HRTR-M5	1
HRTR-M5	1
HRTR-2	1

4 PIECE GROOVE & GLAND RESTORE KIT

Part Number: HRTR-K1.2
 Net Price: \$43.44



Part Number	Quantity
HRTR-3S1	3
HRTR-M3	1

3 PIECE THREAD RESTORE STARTER KIT

Part Number: HRTR-K1.1
 Net Price: \$35.30



Part Number	Quantity
HRTR-1	1
HRTR-2	1
HRTR-C1	1

ROTARY THREAD® FILES

STANDARD THREAD



Part Number	Thread Types	Shank Size	Head Diameter	Overall Length	Minimum Working ID	Minimum Pitch	Thread Angle	RPM	Net Price
HRTR-1	Inch, Metric, Pipe, SAE, National	1/8"	3/8"	2"	7/16"	28 TPI (0.8 Metric)	60°	Up to 12,000 (Max 15,000)	\$14.07
HRTR-2	Inch, Metric, Pipe, SAE, National	1/4"	3/4"	2"	5/8"	28 TPI (0.8 Metric)	60°	Up to 12,000 (Max 15,000)	20.43
HRTR-2L	Inch, Metric, Pipe, SAE, National	1/4"	3/4"	4"	5/8"	28 TPI (0.8 Metric)	60°	Up to 12,000 (Max 15,000)	28.45

STANDARD THREAD FOR USE WITH MANDREL



Part Number	Thread Types	Shank Size	Head Diameter	Mandrel Used	Thickness	Minimum Working ID	Minimum Pitch	Thread Angle	RPM	Net Price
HRTR-4	Inch, Metric, Pipe, SAE, National	1/4"	1-5/8"	HRTR-M5	0.118"	1-3/4"	28 TPI (0.8 Metric)	60°	Up to 12,000 (Max 15,000)	\$32.39
HRTR-5	Inch, Metric, Pipe, SAE, National	1/4"	2"	HRTR-M5	0.315"	2-1/8"	20 TPI (0.8 Metric)	60°	Up to 12,000 (Max 15,000)	33.64
HRTR-5A	ACME	1/4"	2"	HRTR-M5	0.315"	2-1/8"	16	29°	Up to 12,000 (Max 15,000)	33.64
HRTR-5B	BUTTRESS	1/4"	2"	HRTR-M5	0.315"	2-1/8"	NA	7 x 45°	Up to 12,000 (Max 15,000)	33.64

ROTARY THREAD® FILES

GROOVE & GLAND



Part Number	Thread Types	Shank Size	Head Diameter	Mandrel Used	Thickness	Minimum Working ID	Minimum Pitch	RPM	Net Price
HRTR-3S1	Cylinder Glands & Grooves	1/8"	0.984"	HRTR-M3	0.040"	1"	Square	Up to 12,000 (Max 15,000)	\$25.49
HRTR-4S1	Glands, Grooves, Snap Rings	1/4"	1-5/8"	HRTR-M5	0.040"	1-3/4"	Square	Up to 12,000 (Max 15,000)	32.70
HRTR-5S1	Glands, Grooves, Snap Rings	1/4"	2"	HRTR-M5	0.040"	2-1/8"	Square	Up to 12,000 (Max 15,000)	33.64
HRTR-5S2	Glands, Grooves, Snap Rings	1/4"	2"	HRTR-M5	0.080"	2-1/8"	Square	Up to 12,000 (Max 15,000)	33.64

MANDRELS



Part Number	Body Diameter	Length	Arbor Diameter	Net Price
HRTR-M3	0.236"	2"	1/8"	\$8.50
HRTR-M5	0.472"	2"	1/4"	10.82

COLLETS

Part Number	Diameter	Length	Net Price
HRTR-C1	1/8" to 1/4"	5/8"	\$3.19



HOSE BOX FITTING TOWERS

JIC FITTINGS TOWER

Part Number: HBT5600E1
Net Price: \$389.00



LIGHT DIN FITTINGS TOWER

Part Number: HBT2027-006
Net Price: \$700.00



FACE SEAL FITTINGS TOWER

Part Number: HBT5600E2
Net Price: \$439.00



HEAVY DIN FITTINGS TOWER

Part Number: HBT2025-006
Net Price: \$650.00



NPT FITTINGS TOWER

Part Number: HBT5600E3
Net Price: \$405.00



BSP FITTINGS TOWER

Part Number: HBT2023-006
Net Price: \$615.00



HOSE BOX MINI FITTING KITS

(SAE 6) JIC TO ORB MINI KIT

Part Number: HBE2001-005
Net Price: \$30.00



(SAE 8) ORFS TO ORB MINI KIT

Part Number: HBE2002-006
Net Price: \$32.00



(SAE 8) JIC TO ORB MINI KIT

Part Number: HBE2001-006
Net Price: \$33.00



(SAE 8) JIC to NPT MINI KIT

Part Number: HBE2001-007
Net Price: \$36.00



(SAE 6) ORFS TO ORB MINI KIT

Part Number: HBE2002-005
Net Price: \$32.00



(1/2") NPT TO NPT MINI KIT

Part Number: HBE2003-005
Net Price: \$32.00



HOSE BOX BRASS FITTING KITS

AIR TRANSMISSION SHIFTER FITTINGS KIT

Part Number: HB3001-001
Net Price: \$144.00



D.O.T. 1/4" BRASS COMPRESSION AIR BRAKE FITTINGS KIT

Part Number: HB3001-004
Net Price: \$103.00



D.O.T. BRASS PUSH-IN FITTINGS KIT

Part Number: HB3001-002
Net Price: \$153.00



D.O.T. 3/8" BRASS COMPRESSION AIR BRAKE FITTINGS KIT

Part Number: HB3001-005
Net Price: \$116.00



D.O.T. COMPOSITE PUSH-IN FITTINGS KIT

Part Number: HB3001-003
Net Price: \$217.00



D.O.T. 1/2" BRASS COMPRESSION AIR BRAKE FITTINGS KIT

Part Number: HB3001-006
Net Price: \$155.00



HOSE BOX FITTING KITS & BONDED SEAL KITS

HOSE FITTING KITS

Part Number: HBE2003-001
Description: NPT Caps and Plugs Fitting Kit
Net Price: \$91.00



Part Number	Description	Price
HBE2003-002	NPT - NPT Fitting Kit	\$97.00
HBE2003-003	NPT Tees - O-Rings Fitting Kit	94.00
HBE2003-004	Face Seal Caps and Plugs Fitting Kit	81.00
HBE2002-001	Face Seal - ORB Fitting Kit	97.00
HBE2002-002	Face Seal - JIC - NPT Fitting Kit	104.00
HBE2002-003	Face Tees - O-Rings Fitting Kit	127.00
HBE2002-004	JIC Caps and Plugs Fitting Kit	71.00
HBE2001-001	JIC - ORB Fitting Kit	88.00
HBE2001-002	JIC - NPT - ORFS Fitting Kit	94.00
HBE2001-003	JIC Tees - O-Rings Fitting Kit	95.00
HBE2001-004	ORB Plugs Fitting Kit	73.00
HBE1024	Variety Fittings Kit	77.00
HBE2029-001	BSPP - Female JIC - BSPP Seals Fitting Kit	110.00
HB2023-001	BSPP - JIC - NPT Fitting Kit	150.00
HB2023-002	BSPP - BSPP Fitting Kit	154.00
HB2023-003	BSPP Caps - Plugs Fitting Kit	131.00
HB2023-004	Metric Heavy DIN - JIC - DIN Seals Fitting Kit	139.00
HB2025-001	Metric Heavy DIN - DIN - Metric Fitting Kit	199.00
HB2025-002	Metric Heavy DIN - JIC - NPT Fitting Kit	122.00
HB2025-003	Metric Heavy DIN Caps & Plugs Fitting Kit	124.00
HB2025-004	Metric Light DIN - JIC - DIN Seals	163.00
HB2027-001	Metric Light DIN - DIN Bonded Seals Fitting Kit	204.00
HB2027-002	Metric Light DIN - JIC - NPT Fitting Kit	135.00
HB2027-003	Metric Light DIN Caps and Plugs Kit	166.00
HB2027-004	Metric Light DIN Caps and Plugs Kit	155.00

BONDED SEAL KITS

Part Number: HB2043-001
Description: DIN Bonded Seals
Net Price: \$65.00



Part Number	Description	Price
HB2083-001	BSPP Bonded Seals	\$48.00

MEASURING TOOLS

HIGH QUALITY DIGITAL CALIPER

Part Number: HH-CALIPER-6-FR
Net Price: \$61.20

This high quality instrument measures to 6" (150 mm). A push of a button changes from fractions, mm and inches. Functions also include: On/Off function, zero key, data input capabilities, test for low voltage, and "Auto Off" function when unit sits dormant for more than 4 minutes.



DIGITAL CALIPERS

Part Number	Net Price
HH-CALIPER-6	\$53.10
HH-CALIPER-6-P	53.10
HH-CALIPER-8	87.53
HH-CALIPER-12	127.95
HH-CALIPER-12-P	127.95

Quality calipers able to measure up to 6" (150mm) or 12" (300mm). A push of a button changes from inches to metric. A clear LCD display shows a reading with a resolution of 0.0005" (0.01mm) that is accurate to ±0.001" (±0.03mm). These calipers come in a sturdy, padded plastic case with instructions and a spare battery.
 P = No Hercules logo.



INNER GROOVE CALIPER

Part Number: INNER CALIPER
Net Price: \$149.99



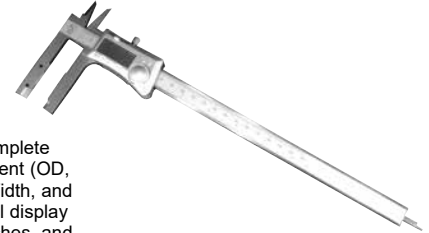
Inner Groove Caliper - 200 mm.

INNER DEPTH CALIPER

Part Number: INNER-DEPTH CALIPER
Net Price: \$186.20

BATTERIES NOT INCLUDED

BATTERY NEEDED - 303/357/76



This inner depth caliper is complete with five modes of measurement (OD, ID, General Depth, Groove Width, and Groove Depth). It has a digital display capable of displaying mm, inches, and fractions and can take measurements of up to 8" (205 mm). The four groove depth pins located on the back of the calipers measure 10mm, 20mm, 3/8", and 3/4".

INNER DEPTH CALIPER PINS

Part Number: INNER-DEPTH CALIPER DP
Net Price: \$17.24

This Inner-Depth Caliper replacement part includes four groove depth pins measuring 10mm, 20mm, 3/8", and 3/4".



INNER DEPTH CALIPER KNIVES

Part Number: INNER-DEPTH CALIPER WK
Net Price: \$17.24

This Inner-Depth Caliper replacement part includes one pair of width knives and four installation screws.



MEASURING TOOLS

12" STEEL RULER

Part Number: HB-RULER-01

Net Price: \$10.58



12" Stainless Steel Ruler with cork back to prevent damage and resist slipping. Measures both Standard and Metric.

6" STEEL RULER WITH CLIP

Part Number: HB-RULER-02

Net Price: \$6.99



6" Stainless Steel Ruler with Clip. Measures both Standard and Metric.

O-RING COMPOUND IDENTIFIER

Part Number: OR RECOGNISER

Net Price: \$16.97

Identify a variety of o-ring compounds with this handy O-Ring Recognizer kit. Testing for EPDM70, NBR, FFKM (KALREZ®) and FKM o-rings. Three sample seals included.

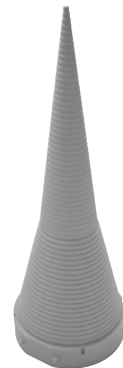


O-RING MEASURING CONE

Part Number: O RING CONE-INCH

Net Price: \$28.27

Handy cone provides o-ring dash numbers instantly. Measures 184 of the most widely used sizes in 5 standard widths, 1/4" ID to 5-5/8" ID. Made of high density polyurethane, the cone stands 17-1/2" high.



BORE TAPE

Part Number: BORE TAPE 300

Net Price: \$131.12

Measures inside and outside diameters from 50 mm 300 mm (2"-12").



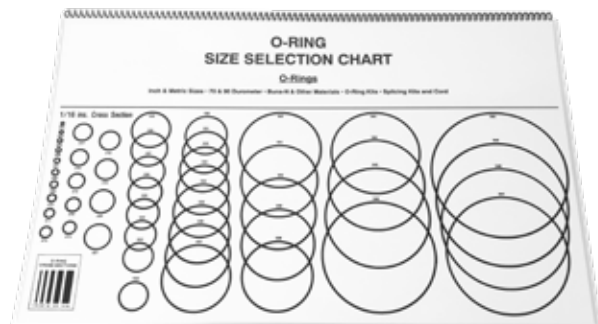
O-RING CHART

Part Number: O-RING CHART

Net Price: \$27.83

Part Number: O-RING CHART NN

Net Price: \$27.83



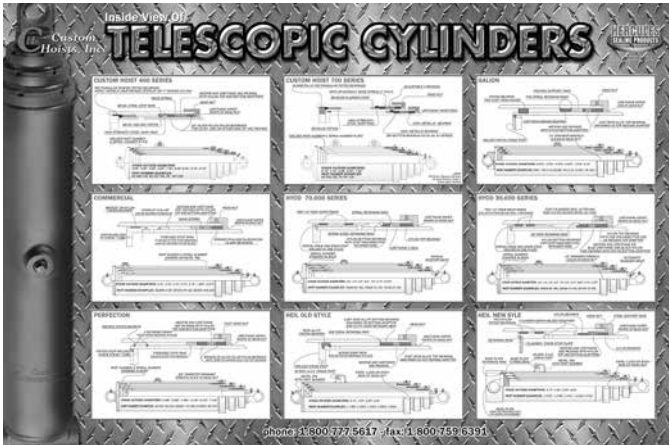
Durable, Accurate, and Fast, these charts allow for easy Standard O-ring size identification. No shop should be without one!
NN = Without Hercules® logo.

MEASURING TOOLS

TELESCOPIC CYLINDER POSTER

Part Number: TELE-CYL CHART
Net Price: \$3.72

This colorful poster is an invaluable tool for determining seal placement within the most popular telescopic cylinders.



O-RING GAUGE

Part Number: OR-GAUGE
Net Price: \$29.70

Slide gauge for measuring standard cross-section o-rings with an inside diameter up to 13".



O-RING SIZE CHART

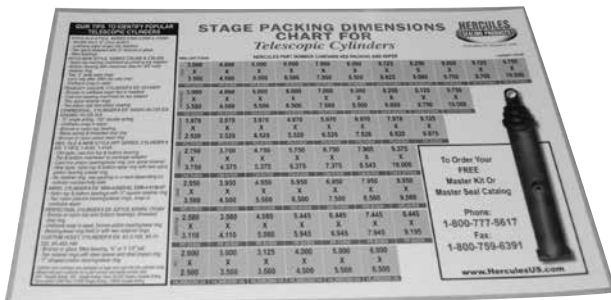
Part Number: O-RING SIZE CHART
Net Price: \$4.32

This handy chart gives complete dimensions for both static and reciprocating o-ring gland design. Dimensions shown are universal for o-rings, quad rings, square o-rings, split flange seals, and t-seals for both rod and piston seals.

STAGE PACKING CHART

Part Number: STAGE-PACKING CHART
Net Price: \$3.72

Your guide for quickly identifying popular telescopic cylinder dimensions. Series include Hyco, Peabody Galion, Commercial, Heil, Ward, Perfection and Custom Hoist.



MEASURING TOOLS

INCH SEAL PROFILE POSTER

Part Number: INCH-POSTER
 Net Price: \$7.56

HERCULES SEALING PRODUCTS

INCH SEAL TABLE

Superior Products
 Exceptional Customer Service
 Engineering Expertise

The poster displays a grid of seal profiles categorized by application: U-SEALS, ROD U-SEALS, PISTON U-SEALS, T-SEALS, PISTON SEAL ASSEMBLIES, WIPER RINGS, BACK-UP RINGS, D-RINGS, WIPER RINGS, PISTON SEAL ASSEMBLIES, WIPER RINGS, and WIPER RINGS. Each profile is accompanied by a detailed description of its function and application.

Toll Free: 800-777-5617 • Fax: 800-757-6391
 Online: www.HerculesUS.com • Email: sales@HerculesUS.com

METRIC SEAL PROFILE POSTER

Part Number: METRIC-POSTER
 Net Price: \$7.56

HERCULES SEALING PRODUCTS

METRIC SEAL TABLE

Superior Products
 Exceptional Customer Service
 Engineering Expertise

The poster displays a grid of seal profiles categorized by application: U-SEALS, ROD U-SEALS, PISTON U-SEALS, T-SEALS, PISTON SEAL ASSEMBLIES, WIPER RINGS, BACK-UP RINGS, D-RINGS, WIPER RINGS, PISTON SEAL ASSEMBLIES, WIPER RINGS, and WIPER RINGS. Each profile is accompanied by a detailed description of its function and application.

Toll Free: 800-777-5617 • Fax: 800-757-6391
 Online: www.HerculesUS.com • Email: sales@HerculesUS.com

ASSORTMENT KITS AND TOOLS

HERCULES MERCHANDISE

COFFEE MUG

Part Number: HB-COFFEE MUG-01
Net Price: \$11.37

Silver, double wall, travel mug, with black plastic inner liner. Holds 14 oz.



BASEBALL HAT

Part Number: HB-HAT-01
Net Price: \$10.54

Black canvas baseball hat. Low profile with adjustable Velcro strap. One size fits most.



HERCULES T-SHIRT

Part Number	Size	Net Price
HB-T-SHIRT-01M	MED	\$9.17
HB-T-SHIRT-01L	LARGE	9.17
HB-T-SHIRT-01XL	X-LARGE	9.17
HB-T-SHIRT-01XXL	XX-LARGE	14.57
HB-T-SHIRT-01XXXL	XXX-LARGE	18.04

99% Cotton / 1% Polyester Gildan™ grey T-Shirt. Hercules logo on front, with larger "Quality Parts" graphics on the back.



COUNTER MAT

Part Number: HH-COUNTER MAT
Net Price: \$20.04



Full color 26" x 17" vinyl Counter Mat with 1/8" foam backing.

MOUSE PAD

Part Number: HB-MOUSE PAD
Net Price: \$2.96

This sturdy mouse pad measures 7-1/4" x 8-3/8", and features a vinyl top with 1/8" foam backing.



BLACK AND BLUE TRUCKER HAT

Part Number: HB-HAT-02
Net Price: \$14.46

Black trucker hat. High profile with plastic snapping adjustable strap. One size fits most.



HERCULES SHIRT

Part Number	Size	Net Price
HB-SHIRT-01SM	SMALL	\$26.81
HB-SHIRT-01M	MEDIUM	26.81
HB-SHIRT-01L	LARGE	26.81
HB-SHIRT-01XL	X-LARGE	28.22
HB-SHIRT-01XXL	XX-LARGE	29.63

55% Cotton / 45% Polyester Ahead brand cobalt blue Polo Shirts. Hercules logo on left chest.



COUNTER STOOL - 30" TALL

Part Number: HHCOUNTERSTOOL
Net Price: \$132.62

30" Tall Counter Stool with vinyl padded seat and metal legs. Some assembly required.



Urethane

Formulated of copolymers of ether or ester based urethanes, this material is used in a wide application of seals, wipers, back-up rings, cushions, bumpers, and a myriad of other uses. Highly resistant to oil swell, ozone, oxidation and abrasion, it also has excellent cut resistance. Highly resilient, urethanes also have high tensile strength and elongation properties. Urethanes remain an excellent choice in hydraulic systems using petroleum based fluids. Most urethane seals remain flexible and efficient in temperatures ranging from -65° F to +200° F with some able to withstand intermittent temperatures up to +300° F.

Nitrile

The most common nitrile copolymer blend is the compound known as Buna-N. Possessing very good resistance to petroleum based hydraulic oils, Buna-N also works well with fuels such as diesel or gasoline. Nitrile seals have a good resistance to compression set, but their flexibility suffers somewhat in the lower temperature range. Seals made from this material have a low resistance to ozone and must be stored carefully in most environments. Working temperatures are -40° to +240° F.

PTFE

Most PTFE seals, in order to retain their toughness and flexibility, are fortified with short glass fiber, bronze flashes, carbon graphite, or a combination of these fillers. Because of a lack of resilience (memory) in PTFE, an energizer is most often employed to obtain the desired fit. Benefits are chemical inertness, high heat resistance, low temperature flexibility, low running friction, and non-adhesive characteristics. Temperatures to +500° F are obtainable but are often reduced by the filler or energizer employed.

Fluorocarbon

Fluorocarbon combines high temperature resistance with excellent chemical resistance. Excellent for use with alcohol and aromatic fuels and highly resistant to ultraviolet light and ozone. This material is not recommended for use in low temperatures or in aircraft hydraulic fluids. Temperature range is -20° to +400° F.

Ethylene-Propylene

Ethylene-Propylene can be used for sealing phosphate ester hydraulic fluids such as Skydrol. Not suitable for petroleum based fluids, Ethylene-Propylene is highly effective for use with steam, acetone, and dilute acids and bases. Specially compounded Ethylene-Propylene can be made suitable for automobile brake systems. Temperature range from -20° to +300° F.

Silicone

Silicone is an elastomer made from silicon, oxygen, hydrogen, and carbon. The key use of this material is in static seals employed in a wide (-75° F to +450° F) range of temperatures. Silicone has a high resistance to dry heat, ultraviolet light and ozone. This material is not recommended for dynamic situations due to poor abrasion resistance and high friction characteristics.

Glossary of Terms

- Bearing/Wear Rings:** Soft metal or plastic rings placed in grooves on the piston or in the head to prevent contact between hard metal surfaces.
- Durometer:** A generic term referring to the instrument and the scale used to measure the relative hardness of various elastomers. The lower the durometer reading, the softer the material.
- Dynamic Seal:** A sealing device used between mating surfaces that have relative motion.
- Elastomer:** A rubber-like material having the capacity for large deformation and rapid, complete recovery from the deforming force.
- Gland:** A groove or open area machined into the head or piston that houses the sealing device.
- Static Seal:** A sealing device used between mating surfaces that have no relative motion.
- Wiper/Scraper:** A device placed in the head of a cylinder for the purpose of excluding foreign matter from the inside of the cylinder.

TYPES OF SEALING MATERIAL

These are general guidelines only, and users must conduct their own functional tests to determine the suitability of any compound for their particular application.

R = Recommended
 M = Marginal
 U = Unsatisfactory
 X = Insufficient Data

Fluid	Nitrile	SBR	EPDM	Neoprene	Polyacrylate	Urethane	Silicone	Fluoroelastomer
Acetaldehyde	U	U	R	U	U	U	R	U
Acetamide	R	U	R	R	U	U	M	U
Acetic Acid	M	M	R	R	U	U	R	U
Acetone	U	M	R	M	U	U	M	U
Acetophenone	U	U	R	U	U	U	U	U
Acetylene	R	R	R	R	X	X	R	R
Ammonia	R	R	R	R	U	X	R	U
Ammonium Hydroxide	R	R	R	R	U	U	R	R
Amyl Acetate	U	U	M	U	U	U	U	U
Anderol L-774	M	U	U	U	R	U	U	R
Aniline	U	U	R	U	U	U	U	M
Ansul Ether	M	U	M	U	U	R	U	U
Antifreeze	R	R	R	R	U	U	R	R
Arocors	M	U	R	U	U	X	M	R
Askarel	R	U	U	U	U	U	U	R
ASTM #1	R	U	U	R	R	R	R	R
ASTM #3	R	U	U	U	R	R	U	R
ASTM Fuel A	R	U	U	R	R	R	U	R
ASTM Fuel B	R	U	U	U	U	R	U	R
ASTM Fuel C	R	U	U	U	U	R	U	R
ASTM Fuel D	M	U	U	U	U	R	U	R
Auto Transmission Fluid	R	U	U	M	R	R	M	R
Beer	R	R	R	R	U	U	R	R
Benzaldehyde	U	U	R	U	U	U	U	U
Benzene	U	U	U	U	U	U	U	R
Benzine	R	U	U	R	R	R	U	R
Benzoic Acid	U	U	U	U	U	U	U	R
Benzophenone	U	U	R	X	U	U	U	R
Benzyl Alcohol	U	U	U	R	U	U	X	R
Bleach	R	R	R	R	U	U	U	R
Borax	R	R	R	U	R	R	R	R
Boric Acid	R	R	R	R	U	R	R	R
* Brake Fluid (non-Petroleum)	U	R	R	R	U	U	R	U
Bromine	U	U	U	U	U	U	U	R
Bromobenzene	U	U	U	U	U	U	U	R
Bunker Oil	R	U	U	U	R	R	U	R
Butane	R	M	U	R	R	U	U	R
Butter	R	U	M	R	R	R	R	R
Butyl Acetate	U	U	U	U	U	U	U	U
Butyl Alcohol	R	R	R	R	U	U	R	R
Butyl Amine	M	U	U	U	U	U	R	U
Butyl Carbitol	U	U	R	M	U	X	U	M
Butyl Cellosolve	M	U	R	M	U	U	R	U
Butyraldehyde	U	U	R	U	U	U	U	U
Carbitol	R	R	R	R	U	U	R	R

Fluid	Nitrile	SBR	EPDM	Neoprene	Polyacrylate	Urethane	Silicone	Fluoroelastomer
Carbitol Acetate	U	U	U	U	U	U	U	R
Carbon Disulfide	U	U	U	U	U	X	U	R
Carbon Tetrachloride	R	U	U	U	U	U	U	R
Carbonic Acid	R	R	R	R	R	R	R	R
Castor Oil	R	R	R	R	R	R	R	R
Cellosolve	U	R	U	U	U	U	U	U
Chassis Grease	R	U	U	M	R	X	U	R
Chloracetic Acid	U	U	R	U	U	U	X	U
Chloracetone	U	U	R	M	X	X	U	R
Chlordane	R	U	U	M	X	X	U	R
Chlorine	U	U	R	U	U	U	X	R
Chlorobenzol	U	U	U	U	U	U	U	R
Chloroform	U	U	U	U	U	U	U	R
Chlorsulfonic Acid	U	U	U	U	U	U	U	U
Chrome Plating Solution	U	U	R	U	U	U	R	R
Chromic Acid	U	U	X	U	X	X	M	R
Citric Acid	R	R	R	R	X	X	R	R
Cod Liver Oil	R	U	U	R	R	U	R	R
Coffee	R	R	R	R	U	U	R	R
Corn Oil	R	U	U	U	R	U	R	R
Creosote	R	U	U	R	R	M	U	R
Creoste Oil	R	U	U	M	X	X	M	R
Creosylic Acid	U	U	U	U	U	U	U	R
Crude Oil	R	U	U	U	R	X	U	R
Cyclohexane	R	U	U	M	R	R	U	R
Cyclohexanol	R	U	U	R	X	X	U	R
Decalin	U	U	U	U	U	U	U	R
Denatured Alcohol	R	R	R	R	U	U	R	R
Diacetone	U	U	R	U	U	U	U	U
Dibutyl Amine	U	U	U	M	U	U	U	U
Dibutyl Phthalate	U	U	R	U	U	X	X	M
Dichloro Aniline	U	U	U	U	U	U	U	M
Dichloro Butane	R	U	U	U	U	U	U	R
Diesel Oil	R	U	U	M	U	U	U	R
Diethyl Benzene	M	U	U	U	X	X	X	R
Diethylamine	R	R	R	R	U	M	R	U
Diethylene Glycol	R	R	R	R	U	U	R	R
Dimethyl Ether	U	U	U	M	M	R	U	U
Dimethyl Formamide	U	X	R	X	X	X	R	U
Dimethyl Phthalate	U	U	R	U	U	X	X	R
Dimethyl Terephthalate	U	U	U	U	U	U	U	R
Diocyl Phthalate	U	U	R	U	U	U	M	R
Dioxane	U	U	R	U	U	U	U	U
Diphenyl	U	U	U	U	U	U	U	R
Dow Corning 550	R	R	R	R	R	R	R	R

*Requires special formulation of EPDM

FLUID COMPATIBILITY TABLE

Fluid	Nitrile	SBR	EPDM	Neoprene	Polyacrylate	Urethane	Silicone	Fluoroelastomer
Dow Gard	R	R	R	R	M	M	R	R
Dowtherm A & E	U	U	U	U	U	U	U	R
Elco 28	R	U	U	M	R	R	R	R
Epoxy Resins	X	X	R	R	X	X	X	U
Ethane	R	U	U	R	R	M	U	R
Ethanol	R	R	R	R	U	R	R	R
Ethanolamine	R	R	R	R	U	M	R	U
Ethyl Acetate	U	U	R	U	U	U	R	U
Ethyl Benzene	U	U	U	U	U	U	U	R
Ethyl Cellulose	R	R	R	R	U	R	R	U
Ethyl Chloride	R	R	R	R	M	R	U	R
Ethyl Ether	M	U	M	U	U	R	U	U
Ethyl Formate	U	U	R	R	X	X	X	R
Ethyl Hexanol	M	R	R	R	X	X	X	R
Ethyl Merlaptan	U	U	X	M	X	X	M	R
Ethylene Chloride	U	U	U	U	U	U	U	R
Ethylene Glycol	R	R	R	R	U	X	R	R
Ethylene Oxide	U	U	R	U	U	U	U	U
Formaldehyde	M	M	R	M	U	U	R	U
Formic Acid	M	R	R	R	X	X	M	U
Freon 12	R	R	R	R	X	R	U	R
Fuel Oil	R	U	U	R	R	U	U	R
Furfuryl Alcohol	U	U	R	U	U	U	U	X
Furan	U	U	X	U	U	X	X	X
Furfural	U	U	R	U	U	X	U	U
Fyrquel	U	U	R	U	U	U	R	R
Gallic Acid	R	R	R	R	U	I	X	R
Gasoline	R	U	U	R	R	R	U	R
Gelatin	R	R	R	R	U	U	R	R
Glucose	R	R	R	R	X	U	R	R
Glycerine	R	R	R	R	U	U	R	R
Heptane	R	U	U	R	R	R	U	R
Hexaldehyde	U	U	R	R	X	X	R	U
Hexane	R	U	U	R	R	R	U	R
Hexanol	R	R	M	R	U	U	R	R
Home Heating Oil	R	U	U	M	R	R	R	R
Hydrazine	R	R	R	R	X	X	R	X
Hydrochloric Acid	R	M	R	R	M	U	U	R
Hydrocyanic Acid	R	R	R	R	U	X	M	R
Hydrogen Peroxide	R	R	R	R	U	X	R	R
Hydrogen Sulfide	U	U	R	R	U	X	M	U
Hydroquinone	M	U	U	U	U	X	X	R
Hypoid Gear Lube	R	U	U	M	R	R	M	R
Iodine	R	R	R	U	X	X	X	R
Iso Octane	R	U	U	R	R	R	U	R
Iso Phorone	U	U	R	U	U	U	U	U
Isocyanate	X	X	X	X	X	X	X	R
Isopar	R	X	U	R	R	R	U	R
Isopropanol	R	R	R	R	U	U	R	R
Isopropyl Acetate	U	U	R	U	U	U	U	U

Fluid	Nitrile	SBR	EPDM	Neoprene	Polyacrylate	Urethane	Silicone	Fluoroelastomer
JP-4(MIL-J-5624)	R	U	U	U	R	R	U	R
JP-4(MIL-J-5624)	R	U	U	U	R	R	U	R
Kerosene	R	U	U	R	R	R	U	R
Lacquers	U	U	U	U	U	U	U	U
Lactic Acid	R	R	R	R	U	X	X	R
Lard	R	U	R	R	R	R	R	R
Linoleic Acid	R	U	U	R	X	X	R	R
Linseed Oil	R	U	M	M	R	X	R	R
Lye Solutions	R	R	R	R	U	U	R	R
Malathion	R	U	U	X	X	X	U	R
Maleic Acid	U	U	U	U	U	X	X	R
Mercury	R	R	R	R	X	X	X	R
Meter-Cresol	U	U	U	R	U	U	U	R
Methacrylic Acid	U	U	R	R	U	U	U	M
Methane	R	U	U	R	R	M	U	R
Methanol	R	R	R	R	U	U	U	U
Methyl Acetate	U	U	R	R	U	U	U	U
Methyl Cellosolve	M	U	R	R	U	U	U	M
Methyl Ether Ketone	U	U	R	U	U	U	U	U
Methyl Mercaptan	X	X	R	X	X	X	X	X
Methylene Chloride	U	U	U	U	U	U	U	R
Milk	R	R	R	R	U	U	R	R
Mineral Oil	R	U	M	R	R	R	R	R
Mineral Spirits	R	U	U	U	R	R	U	R
Monovinyl Acetylene	R	R	R	R	X	X	R	R
Mustard	X	R	R	X	X	X	R	R
Naphtha	R	U	U	U	R	R	U	R
Naphthalene	U	U	U	U	X	X	U	R
Naphthenic Acid	R	U	U	U	X	X	U	R
Natural Gas	R	R	U	R	R	R	R	R
Neatsfoot Oil	R	U	R	U	R	R	R	R
Nitric Acid	U	M	R	U	U	U	U	M
Nitrobenzene	U	U	U	U	U	U	U	R
Nitropropane	U	U	R	U	U	U	U	U
Octane	R	U	U	U	U	U	U	R
Octanol	R	R	R	R	U	U	R	R
Oleic Acid	M	U	U	M	X	X	U	R
Oleum	R	U	U	M	X	X	U	R
Oronite 8200	R	U	U	R	X	R	U	R
Oxalic Acid	R	R	R	R	R	X	X	R
Peanut Oil	R	U	M	M	R	X	R	R
Pentane	R	M	U	R	R	U	U	R
Perchloroethylene	R	U	U	U	U	U	U	R
Petroleum Ether	U	U	U	U	U	U	U	R
Phenol	U	U	U	U	U	U	U	R
Phenylhydrazine	U	M	U	U	U	X	X	R
Phosphoric Acid	R	R	R	R	M	U	R	R
Pine Oil	R	U	U	U	U	X	X	R
Potassium Hydroxide	R	R	R	R	U	U	M	U
Propane	R	U	U	R	R	M	U	R

FLUID COMPATIBILITY TABLE

Fluid	Nitrile	SBR	EPDM	Neoprene	Polyacrylate	Urethane	Silicone	Fluoroelastomer
Propanol	R	R	R	R	U	U	R	R
Propyl Acetate	U	U	R	U	U	U	U	U
Propylene Glycol	R	R	R	M	U	M	R	R
Pydraul	U	U	R	U	U	U	U	R
Pyranol	R	U	U	R	R	R	U	R
Pyridine	U	R	U	U	U	X	U	U
Rapeseed Oil	R	U	R	R	R	R	U	R
Resurcinol	X	R	R	X	X	X	X	X
SAE 10W30	R	U	U	M	R	R	R	R
Seawater	R	R	R	R	U	U	R	X
Silicone Grease	R	R	R	R	R	R	R	R
Silver Nitrate	R	R	R	R	R	R	R	R
Skelly Solvent	R	U	U	U	X	X	X	R
Skydrol	U	U	R	U	U	U	U	R
Skydrol 500	U	U	R	U	U	U	U	R
Sodium Hydroxide	R	R	R	R	U	R	R	R
Sovasol	R	U	U	R	R	R	U	R
Soy Bean Oil	R	U	M	M	R	X	R	R
Stearic Acid	R	R	R	R	R	U	U	R
Stoddard Solvent	R	U	U	R	R	R	U	R
Sucrose	R	R	R	R	U	U	R	R

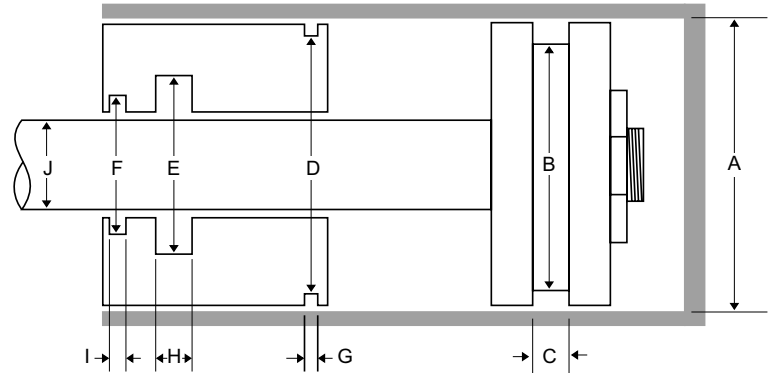
Fluid	Nitrile	SBR	EPDM	Neoprene	Polyacrylate	Urethane	Silicone	Fluoroelastomer
Sulfuric Acid	R	R	R	R	R	U	U	R
Tall Oil	R	U	U	M	R	U	X	R
Tannic Acid	R	R	R	R	U	X	R	R
Tar	R	U	U	M	U	X	R	R
Tartaric Acid	R	R	R	R	X	X	R	R
Tetrachloro Ethane	U	U	U	U	U	U	U	R
Tetralin	U	U	U	U	U	U	U	R
Tidewater Oil	R	U	U	R	R	R	R	R
Toluene	U	U	U	U	U	U	U	R
Trichloro Ethylene	M	U	U	U	U	U	U	R
Triethanol Amine	M	R	R	R	U	U	X	U
Turbine Oil	R	U	U	U	R	R	U	R
Turpentine	R	U	U	U	R	U	U	R
UCDN 50HB280X	R	R	R	R	X	X	R	R
Univis J-43	R	U	U	R	R	R	U	R
Varnish	R	U	U	U	U	M	U	R
Vinegar	R	R	R	R	U	U	R	R
Water	R	R	R	R	U	U	R	R
Wheat Germ Oil	R	U	U	M	R	R	R	R
Whiskey & Wine	R	R	R	R	U	U	R	R
Wood Oil	R	U	U	R	X	M	U	R

HOW TO SIZE GROOVE DIMENSIONS FOR SEALS

HOW OFTEN HAVE YOU RECEIVED A CYLINDER FOR REPAIR AND THE SEALS WERE . . .

- MISSING
- EXTRUDED
- ROLLED
- COOKED
- NIBBLED
- SPLIT
- INCORRECT
- TWISTED
- WORN OUT

The chart below can be used by your counter people, repair shops, or sales people to determine the seals you need. Note the dimensions, refer to your Hercules® Sealing Products Catalog, and call our sales staff with your information. If the part number(s) you need can't be located in the catalog, our Sales personnel will be glad to help you .



Call us TOLL FREE! 1-800-665-7325

FOR A PROFESSIONAL ANALYSIS OF SEAL FAILURE, SEND YOUR DAMAGED SEALS TO OUR ENGINEERING DEPARTMENT.

PISTON SEALS AND BEARINGS

DIAGRAM REFERENCE

- A = Bore = Nominal Seal O.D.
- B = Groove Diameter = Nominal Seal I.D.
- C = Groove Width = Nominal Seal Width

DIMENSIONS

ROD SEALS AND BEARINGS

DIAGRAM REFERENCE

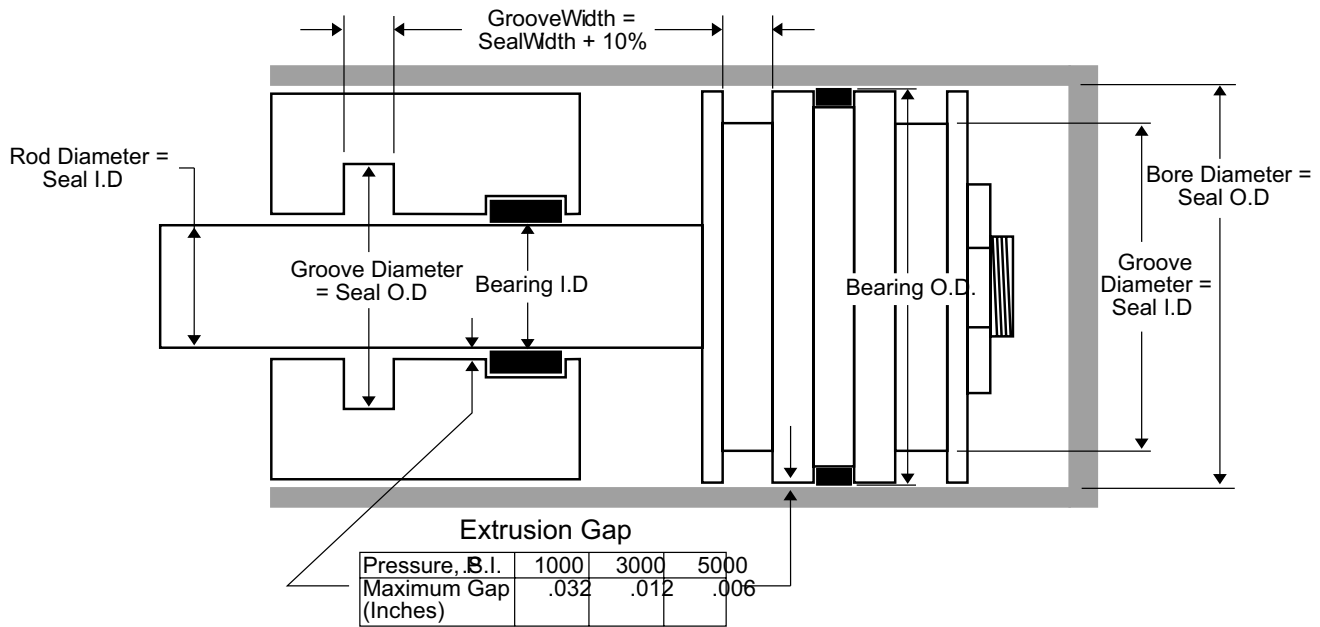
- D = Gland Groove Diameter = Nominal Seal I.D.
- E = Rod Seal Groove Diameter = Nominal Seal O.D.
- F = Wiper Groove Diameter = Nominal Wiper O.D.
- G = Gland Groove Width = Nominal Seal Width
- H = Rod Seal Groove Width = Nominal Seal Width
- I = Wiper Groove Width = Base Width
- J = Rod Diameter = Seal & Nominal Wiper I.D.

DIMENSIONS

COPY FOR SHOP & COUNTER USE

TECHNICAL INFORMATION

GROOVE DIMENSIONS FOR URETHANE U-SEALS



ROD AND ROD GROOVE DIMETERS

ROD DIAM RANGE, IN.	ROD DIAM. TOLERANCE	GROOVE DIAM TOLERANCE	MAX DIAMETRICAL CLEARANCE		
			1000 PSI	3000 PSI	5000 PSI
.125 - .687	+ .0 / -.002	+ .004 / -.0	.008	.006	.004
.750 - 2.875	+ .0 / -.003	+ .008 / -.0	.012	.008	.004
3.000 - 7.000	+ .0 / -.004	+ .010 / -.0	.014	.010	-
7.000 - 7.750	+ .0 / -.005	+ .011 / -.0	.016	.010	-
8.000 - 9.500	+ .0 / -.005	+ .012 / -.0	.016	-	-
10.000 - 15.000	+ .0 / -.006	+ .015 / -.0	.016	-	-

BORE AND PISTON GROOVE DIMETERS

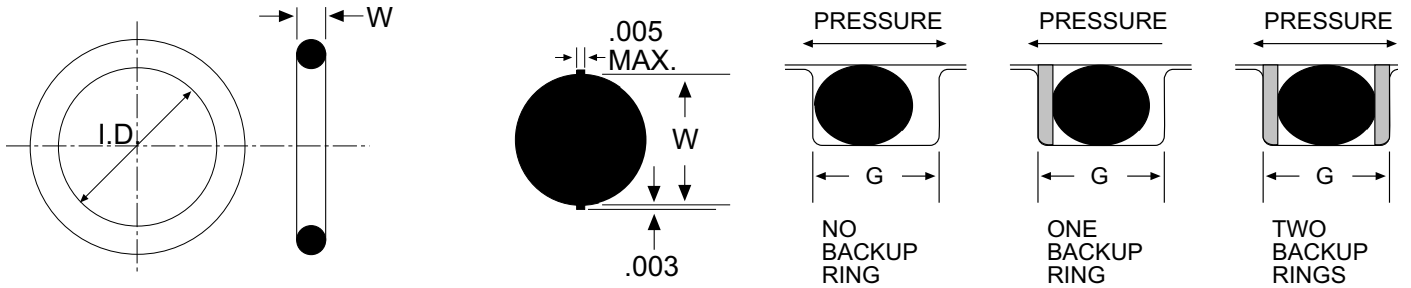
BORE DIAM RANGE, IN.	BORE DIAM. TOLERANCE	GROOVE DIAM TOLERANCE	MAX DIAMETRICAL CLEARANCE		
			1000 PSI	3000 PSI	5000 PSI
.750 - 1.062	+ .003 / -.0	+ .0 / -.004	.010	.008	.004
1.125 - 1.625	+ .003 / -.0	+ .0 / -.005	.010	.008	.004
1.750 - 2.500	+ .003 / -.0	+ .0 / -.007	.012	.008	.004
2.625 - 2.875	+ .003 / -.0	+ .0 / -.008	.012	.008	.005
3.000 - 3.500	+ .004 / -.0	+ .0 / -.008	.014	.010	-
3.625 - 5.625	+ .004 / -.0	+ .0 / -.009	.014	.010	-
5.750 - 6.750	+ .004 / -.0	+ .0 / -.010	.014	.010	-
7.000 - 8.500	+ .005 / -.0	+ .0 / -.011	.016	.010	-
9.000 - 11.000	+ .005 / -.0	+ .0 / -.011	.016	-	-
12.000 - 16.000	+ .006 / -.0	+ .0 / -.012	.018	-	-

METRIC / INCH CONVERSION TABLE

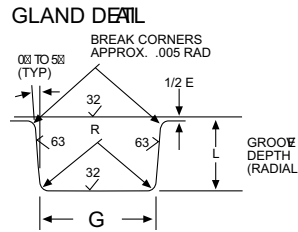
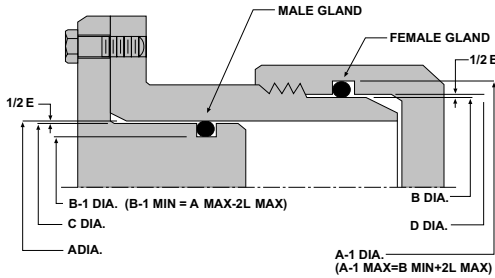
FRACTIONS, DECIMALS AND MILLIMETERS

Inches			Inches			Inches			Inches		
Fractions	Decimals	M M	Fractions	Decimals	M M	Fractions	Decimals	M M	Fractions	Decimals	M M
—	.0004	.01	25/32	.781	19.844	—	2.165	55.0	3-11/16	3.6875	93.663
—	.004	.10	—	.7874	20.0	2-3/16	2.1875	55.563	—	3.7008	94.0
—	.01	.25	51/64	.797	20.241	—	2.2047	56.0	3-23/32	3.719	94.456
1/64	.0156	.397	13/16	.8125	20.638	2-7/32	2.219	56.356	—	3.7401	95.0
—	.0197	.50	—	.8268	21.0	—	2.244	57.0	3-3/4	3.750	95.250
—	.0295	.75	53/64	.828	21.034	2-1/4	2.250	57.150	—	3.7795	96.0
1/32	.03125	.794	27/32	.844	21.431	2-9/32	2.281	57.944	3-25/32	3.781	96.044
—	.0394	1.0	55/64	.859	21.828	—	2.2835	58.0	3-13/16	3.8125	96.838
3/64	.0469	1.191	—	.8661	22.0	2-5/16	2.312	58.738	—	3.8189	97.0
—	.059	1.5	7/8	.875	22.225	—	2.3228	59.0	3-27/32	3.844	97.631
1/16	.062	1.588	57/64	.8906	22.622	2-11/32	2.344	59.531	—	3.8583	98.0
5/64	.0781	1.984	—	.9055	23.0	—	2.3622	60.0	3-7/8	3.875	98.425
—	.0787	2.0	29/32	.9062	23.019	2-3/8	2.375	60.325	—	3.8976	99.0
3/32	.094	2.381	59/64	.922	23.416	—	2.4016	61.0	3-29/32	3.9062	99.219
—	.0984	2.5	15/16	.9375	23.813	2-13/32	2.406	61.119	—	3.9370	100.0
7/64	.109	2.778	—	.9449	24.0	2-7/16	2.438	61.913	3-15/16	3.9375	100.013
—	.1181	3.0	61/64	.953	24.209	—	2.4409	62.0	3-31/32	3.969	100.806
1/8	.125	3.175	31/32	.969	24.606	2-15/32	2.469	62.706	—	3.9764	101.0
—	.1378	3.5	—	.9843	25.0	—	2.4803	63.0	4	4.000	101.600
9/64	.141	3.572	63/64	.9844	25.003	2-1/2	2.500	63.500	4-1/16	4.062	103.188
5/32	.156	3.969	1	1.000	25.400	—	2.5197	64.0	4-1/8	4.125	104.775
—	.1575	4.0	—	1.0236	26.0	2-17/32	2.531	64.294	—	4.1338	105.0
11/64	.172	4.366	1-1/32	1.0312	26.194	—	2.559	65.0	4-3/16	4.1875	106.363
—	.177	4.5	1-1/16	1.062	26.988	2-9/16	2.562	65.088	4-1/4	4.250	107.950
3/16	.1875	4.763	—	1.063	27.0	2-19/32	2.594	65.881	4-5/16	4.312	109.538
—	.1969	5.0	1-3/32	1.094	27.781	—	2.5984	66.0	—	4.3307	110.0
13/64	.203	5.159	—	1.1024	28.0	2-5/8	2.625	66.675	4-3/8	4.375	111.125
—	.2165	5.5	1-1/8	1.125	28.575	—	2.638	67.0	4-7/16	4.438	112.713
7/32	.219	5.556	—	1.1417	29.0	2-21/32	2.656	67.469	4-1/2	4.500	114.300
15/64	.234	5.953	1-5/32	1.156	29.369	—	2.6772	68.0	—	4.5275	115.0
—	.2362	6.0	—	1.1811	30.0	2-11/16	2.6875	68.263	4-9/16	4.562	115.888
1/4	.250	6.350	1-3/16	1.1875	30.163	—	2.7165	69.0	4-5/8	4.625	117.475
—	.2559	6.5	1-7/32	1.219	30.956	2-23/32	2.719	69.056	4-11/16	4.6875	119.063
17/64	.2656	6.747	—	1.2205	31.0	2-3/4	2.750	69.850	—	4.7244	120.0
—	.2756	7.0	1-1/4	1.250	31.750	—	2.7559	70.0	4-3/4	4.750	120.650
9/32	.281	7.144	—	1.2598	32.0	2-25/32	2.781	70.6439	4-13/16	4.8125	122.238
—	.2953	7.5	1-9/32	1.281	32.544	—	2.7953	71.0	4-7/8	4.875	123.825
19/64	.297	7.541	—	1.2992	33.0	2-13/16	2.8125	71.4376	—	4.9212	125.0
5/16	.312	7.938	1-5/16	1.312	33.338	—	2.8346	72.0	4-15/16	4.9375	125.413
—	.315	8.0	—	1.3386	34.0	2-27/32	2.844	72.2314	5	5.000	127.000
21/64	.328	8.334	1-11/32	1.344	34.131	—	2.8740	73.0	—	5.1181	130.0
—	.335	8.5	1-3/8	1.375	34.925	2-7/8	2.875	73.025	5-1/4	5.250	133.350
11/32	.344	8.731	—	1.3779	35.0	2-29/32	2.9062	73.819	5-1/2	5.500	139.700
—	.3543	9.0	1-13/32	1.406	35.719	—	2.9134	74.0	—	5.5118	140.0
23/64	.359	9.128	—	1.4173	36.0	2-15/16	2.9375	74.613	5-3/4	5.750	146.050
—	.374	9.5	1-7/16	1.438	36.513	—	2.9527	75.0	—	5.9055	150.0
3/8	.375	9.525	—	1.4567	37.0	2-31/32	2.969	75.406	6	6.000	152.400
25/64	.391	9.922	1-15/32	1.469	37.306	—	2.9921	76.0	6-1/4	6.250	158.750
—	.3937	10.0	—	1.4961	38.0	3	3.000	76.200	—	6.2992	160.0
13/32	.406	10.319	1-1/2	1.500	38.100	3-1/32	3.0312	76.994	6-1/2	6.500	165.100
—	.413	10.5	1-17/32	1.531	38.894	—	3.0315	77.0	—	6.6929	170.0
27/64	.422	10.716	—	1.5354	39.0	3-1/16	3.062	77.788	6-3/4	6.750	171.450
—	.4331	11.0	1-9/16	1.562	39.688	—	3.0709	78.0	7	7.000	177.800
7/16	.438	11.113	—	1.5748	40.0	3-3/32	3.094	78.581	—	7.0866	180.0
29/64	.453	11.509	1-19/32	1.594	40.481	—	3.1102	79.0	—	7.4803	190.0
15/32	.469	11.906	—	1.6142	41.0	3-1/8	3.125	79.581	7-1/2	7.500	190.500
—	.4724	12.0	1-5/8	1.625	41.275	—	3.1496	80.0	—	7.8740	200.0
31/64	.484	12.303	—	1.6535	42.0	3-5/32	3.156	80.169	8	8.000	203.200
—	.492	12.5	1-21/32	1.6562	42.069	3-3/16	3.1875	80.963	—	8.2677	210.0
1/2	.500	12.700	1-11/16	1.6875	42.863	—	3.1890	81.0	8-1/2	8.500	215.900
—	.5118	13.0	—	1.6929	43.0	3-7/32	3.219	81.756	—	8.6614	220.0
33/64	.5156	13.097	1-23/32	1.719	43.656	—	3.2283	82.0	9	9.000	228.600
17/32	.531	13.494	—	1.7323	44.0	3-1/4	3.250	82.550	—	9.0551	230.0
35/64	.547	13.891	1-3/4	1.750	44.450	—	3.2677	83.0	—	9.4488	240.0
—	.5512	14.0	—	1.7717	45.0	3-9/32	3.281	83.344	9-1/2	9.500	241.300
9/16	.563	14.288	1-25/32	1.781	45.244	—	3.3071	84.0	—	9.8425	250.0
—	.571	14.5	—	1.8110	46.0	3-5/16	3.312	84.1377	10	10.000	254.000
37/64	.578	14.684	1-13/16	1.8125	46.038	3-11/32	3.344	84.9314	—	10.2362	260.0
—	.5906	15.0	1-27/32	1.844	46.831	—	3.3464	85.0	—	10.6299	270.0
19/32	.594	15.081	—	1.8504	47.0	3-3/8	3.375	85.725	11	11.000	279.400
39/64	.609	15.478	1-7/8	1.875	47.625	—	3.3858	86.0	—	11.0236	280.0
5/8	.625	15.875	—	1.8898	48.0	3-13/32	3.406	86.519	—	11.4173	290.0
—	.6299	16.0	1-29/32	1.9062	48.419	—	3.4252	87.0	—	11.8110	300.0
41/64	.6406	16.272	—	1.9291	49.0	3-7/16	3.438	87.313	12	12.000	304.800
—	.6496	16.5	1-15/16	1.9375	49.213	—	3.4648	88.0	13	13.000	330.200
21/32	.658	16.669	—	1.9685	50.0	3-15/32	3.469	88.108	—	13.7795	350.0
—	.6693	17.0	1-31/32	1.969	50.006	3-1/2	3.500	88.900	14	14.000	355.600
43/64	.672	17.066	2	2.000	50.800	—	3.5039	89.0	15	15.000	381.000
11/16	.6875	17.463	—	2.0079	51.0	3-17/32	3.531	89.694	—	15.7480	400.0
45/64	.703	17.859	2-1/32	2.03125	51.594	—	3.5433	90.0	16	16.000	406.400
—	.7087	18.0	—	2.0472	52.0	3-9/16	3.562	90.4877	17	17.000	431.800
23/32	.719	18.256	2-1/6	2.062	52.388	—	3.5827	91.0	—	17.7165	450.0
—	.7283	18.5	—	2.0866	53.0	3-19/32	3.594	91.281	18	18.000	457.200
47/64	.734	18.653	2-3/32	2.094	53.181	—	3.622	92.0	19	19.000	482.600
—	.7480	19.0	2-1/8	2.125	53.975	3-5/8	3.625	92.075	—	19.6850	500.0
3/4	.750	19.050	—	2.126	54.0	3-21/32	3.656	92.869	20	20.000	508.000
49/64	.7656	19.447	2-5/32	2.156	54.769	—	3.6614	93.0	—	—	—

O-RING GLAND DIMENSIONS



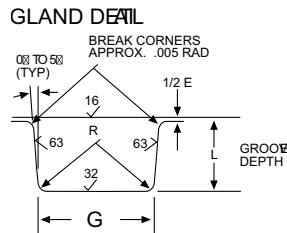
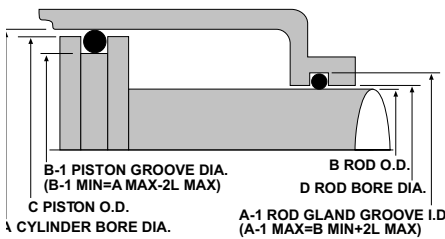
O-Ring Gland Design For Static Seals



- A – Bore Dia. (male gland)
- A-1 – Groove Dia. (female gland)
- B – Tube OD (female gland)
- B-1 – Groove Dia. (male gland)
- C – Plug Dia. (male gland)
- D – Throat Dia. (female gland)
- E – Diametrical Clearance

W O-RING CROSS SECTION	L GROOVE DEPTH		SQUEEZE				E DIAMETRICAL CLEARANCE MAX.	G GROOVE WIDTH ± .005			R GROOVE RADIUS	ECCEN- TRICITY MAX.
			RADIAL		AXIAL			NO BACKUP RING	ONE BACKUP RING	TWO BACKUP RINGS		
	RADIAL	AXIAL	INCHES	%	INCHES	%						
.070	.050-.052	.050-.054	.015-.023	22-23	.013-.023	19-32	.004	.095	.140	.207	.005-.015	.002
.103	.081-.083	.074-.080	.017-.025	17-24	.020-.032	20-30	.005	.142	.173	.240	.005-.015	.002
.139	.111-.113	.101-.107	.022-.032	16-23	.028-.042	20-30	.006	.189	.210	.277	.010-.025	.003
.210	.170-.173	.152-.162	.032-.045	15-21	.043-.063	21-30	.006	.283	.313	.413	.020-.035	.004
.275	.226-.229	.201-.211	.040-.055	15-20	.058-.080	21-29	.007	.377	.410	.540	.020-.035	.00

O-Ring Gland Design For Reciprocating Seals



- A – Bore Dia. of Cylinder
- B – OD of Rod
- C – OD of Piston
- D – Bore Dia. for Rod

W O-RING CROSS SECTION	L GROOVE DEPTH	SQUEEZE		E DIAMETRICAL CLEARANCE MAX.	G GROOVE WIDTH ± .005			R GROOVE RADIUS	ECCEN- TRICITY MAX.
		INCHES	%		NO BACKUP RING	ONE BACKUP RING	TWO BACKUP RINGS		
.070	.055-.057	.010-.018	15-25	.004	.095	.140	.207	.005-.015	.002
.103	.088-.090	.010-.018	10-17	.005	.142	.173	.240	.005-.015	.002
.139	.121-.123	.012-.022	9-16	.006	.189	.210	.277	.010-.025	.003
.210	.185-.188	.017-.030	8-14	.006	.283	.313	.413	.020-.035	.004
.275	.237-.240	.029-.044	11-16	.007	.377	.410	.540	.020-.035	.005

O-RING SIZE CHART AND INSTALLATION DATA

AS-568A SERIES	NOMINAL SIZE			ACTUAL DIMENSIONS	
	ID	OD	Width	ID Tol.	W. Tol.
-001	1/32	3/32	1/32	.029±.004	.040±.003
-001 1/2	1/16	1/8	1/32	.070±.004	.040±.003
-002	3/64	9/64	3/64	.042±.004	.050±.003
-003	1/16	3/16	1/16	.056±.004	.060±.003
-004	5/64	13/64	1/16	.070±.005	.070±.003
-005	3/32	7/32	1/16	.101±.005	.070±.003
-006	1/8	1/4	1/16	.114±.005	.070±.003
-007	5/32	9/32	1/16	.145±.005	.070±.003
-008	3/16	5/16	1/16	.176±.005	.070±.003
-009	7/32	11/32	1/16	.208±.005	.070±.003
-010	1/4	3/8	1/16	.239±.005	.070±.003
-011	5/16	7/16	1/16	.301±.005	.070±.003
-012	3/8	1/2	1/16	.364±.005	.070±.003
-013	7/16	9/16	1/16	.426±.005	.070±.003
-014	1/2	5/8	1/16	.489±.005	.070±.003
-015	9/16	11/16	1/16	.551±.007	.070±.003
-016	5/8	3/4	1/16	.614±.009	.070±.003
-017	11/16	13/16	1/16	.676±.009	.070±.003
-018	3/4	7/8	1/16	.739±.009	.070±.003
-019	13/16	15/16	1/16	.801±.009	.070±.003
-020	7/8	1	1/16	.864±.009	.070±.003
-021	15/16	1 1/16	1/16	.926±.009	.070±.003
-022	1	1 1/8	1/16	.989±.010	.070±.003
-023	1 1/16	1 3/16	1/16	1.051±.010	.070±.003
-024	1 1/8	1 1/4	1/16	1.114±.010	.070±.003
-025	1 3/16	1 5/16	1/16	1.176±.011	.070±.003
-026	1 1/4	1 3/8	1/16	1.239±.011	.070±.003
-027	1 5/16	1 7/16	1/16	1.301±.011	.070±.003
-028	1 3/8	1 1/2	1/16	1.364±.013	.070±.003
-029	1 1/2	1 5/8	1/16	1.489±.013	.070±.003
-030	1 5/8	1 3/4	1/16	1.614±.013	.070±.003
-031	1 3/4	1 7/8	1/16	1.739±.015	.070±.003
-032	1 7/8	2	1/16	1.864±.015	.070±.003
-033	2	2 1/8	1/16	1.989±.018	.070±.003
-034	2 1/8	2 1/4	1/16	2.114±.018	.070±.003
-035	2 1/4	2 3/8	1/16	2.239±.018	.070±.003
-036	2 3/8	2 1/2	1/16	2.364±.018	.070±.003
-037	2 1/2	2 5/8	1/16	2.489±.018	.070±.003
-038	2 5/8	2 3/4	1/16	2.614±.020	.070±.003
-039	2 3/4	2 7/8	1/16	2.739±.020	.070±.003
-040	2 7/8	3	1/16	2.864±.020	.070±.003
-041	3	3 1/8	1/16	2.989±.024	.070±.003
-042	3 1/4	3 3/8	1/16	3.239±.024	.070±.003
-043	3 1/2	3 5/8	1/16	3.489±.024	.070±.003
-044	3 3/4	3 7/8	1/16	3.739±.027	.070±.003
-045	4	4 1/8	1/16	3.989±.027	.070±.003
-046	4 1/4	4 3/8	1/16	4.239±.030	.070±.003

AS-568A SERIES	NOMINAL SIZE			ACTUAL DIMENSIONS	
	ID	OD	Width	ID Tol.	W. Tol.
-047	4 1/2	4 5/8	1/16	4.489±.030	.070±.003
-048	4 3/4	4 7/8	1/16	4.739±.030	.070±.003
-049	5	5 1/8	1/16	4.989±.037	.070±.003
-050	5 1/4	5 3/8	1/16	5.239±.037	.070±.003
-102	1/16	1/4	3/32	.049±.005	.103±.003
-103	3/32	9/32	3/32	.081±.005	.103±.003
-104	1/8	5/16	3/32	.112±.005	.103±.003
-105	5/32	11/32	3/32	.143±.005	.103±.003
-106	3/16	3/8	3/32	.174±.005	.103±.003
-107	7/32	13/32	3/32	.206±.005	.103±.003
-108	1/4	7/16	3/32	.237±.005	.103±.003
-109	5/16	1/2	3/32	.299±.005	.103±.003
-110	3/8	9/16	3/32	.362±.005	.103±.003
-111	7/16	5/8	3/32	.424±.005	.103±.003
-112	1/2	11/16	3/32	.487±.005	.103±.003
-113	9/16	3/4	3/32	.549±.005	.103±.003
-114	5/8	13/16	3/32	.612±.009	.103±.003
-115	11/16	7/8	3/32	.674±.009	.103±.003
-116	3/4	15/16	3/32	.737±.009	.103±.003
-117	13/16	1	3/32	.799±.010	.103±.003
-118	7/8	1 1/16	3/32	.862±.010	.103±.003
-119	15/16	1 1/8	3/32	.924±.010	.103±.003
-120	1	1 3/16	3/32	.987±.010	.103±.003
-121	1 1/16	1 1/4	3/32	1.049±.010	.103±.003
-122	1 1/8	1 5/16	3/32	1.112±.010	.103±.003
-123	1 3/16	1 3/8	3/32	1.174±.012	.103±.003
-124	1 1/4	1 7/16	3/32	1.237±.012	.103±.003
-125	1 5/16	1 1/2	3/32	1.299±.012	.103±.003
-126	1 3/8	1 9/16	3/32	1.362±.012	.103±.003
-127	1 7/16	1 5/8	3/32	1.424±.012	.103±.003
-128	1 1/2	1 11/16	3/32	1.487±.012	.103±.003
-129	1 9/16	1 3/4	3/32	1.549±.015	.103±.003
-130	1 5/8	1 13/16	3/32	1.612±.015	.103±.003
-131	1 11/16	1 7/8	3/32	1.674±.015	.103±.003
-132	1 3/4	1 15/16	3/32	1.737±.015	.103±.003
-133	1 13/16	2	3/32	1.799±.015	.103±.003
-134	1 7/8	2 1/16	3/32	1.862±.015	.103±.003
-135	1 15/16	2 1/8	3/32	1.925±.017	.103±.003
-136	2	2 3/16	3/32	1.987±.017	.103±.003
-137	2 1/16	2 1/4	3/32	2.050±.017	.103±.003
-138	2 1/8	2 5/16	3/32	2.112±.017	.103±.003
-139	2 3/16	2 3/8	3/32	2.175±.017	.103±.003
-140	2 1/4	2 7/16	3/32	2.237±.017	.103±.003
-141	2 5/16	2 1/2	3/32	2.300±.020	.103±.003
-142	2 3/8	2 9/16	3/32	2.362±.020	.103±.003
-143	2 7/16	2 5/8	3/32	2.425±.020	.103±.003
-144	2 1/2	2 11/16	3/32	2.487±.020	.103±.003

O-RING SIZE CHART AND INSTALLATION DATA

AS-568A SERIES	NOMINAL SIZE			ACTUAL DIMENSIONS	
	ID	OD	Width	ID Tol.	W. Tol.
-145	2 9/16	2 3/4	3/32	2.550±.020	.103±.003
-146	2 5/8	2 13/16	3/32	2.612±.020	.103±.003
-147	2 11/16	2 7/8	3/32	2.675±.022	.103±.003
-148	2 3/4	2 15/16	3/32	2.737±.022	.103±.003
-149	2 13/16	3	3/32	2.800±.022	.103±.003
-150	2 7/8	3 1/16	3/32	2.862±.022	.103±.003
-151	3	3 3/16	3/32	2.987±.024	.103±.003
-152	3 1/4	3 7/16	3/32	3.237±.024	.103±.003
-153	3 1/2	3 11/16	3/32	3.487±.024	.103±.003
-154	3 3/4	3 15/16	3/32	3.737±.028	.103±.003
-155	4	4 3/16	3/32	3.987±.028	.103±.003
-156	4 1/4	4 7/16	3/32	4.237±.030	.103±.003
-157	4 1/2	4 11/16	3/32	4.487±.030	.103±.003
-158	4 3/4	4 15/16	3/32	4.737±.030	.103±.003
-159	5	5 3/16	3/32	4.987±.035	.103±.003
-160	5 1/4	5 7/16	3/32	5.237±.035	.103±.003
-161	5 1/2	5 11/16	3/32	5.487±.035	.103±.003
-162	5 3/4	5 15/16	3/32	5.737±.035	.103±.003
-163	6	6 3/16	3/32	5.987±.035	.103±.003
-164	6 1/4	6 7/16	3/32	6.237±.040	.103±.003
-165	6 1/2	6 11/16	3/32	6.487±.040	.103±.003
-166	6 3/4	6 15/16	3/32	6.737±.040	.103±.003
-167	7	7 3/16	3/32	6.987±.040	.103±.003
-168	7 1/4	7 7/16	3/32	7.237±.045	.103±.003
-169	7 1/2	7 11/16	3/32	7.487±.045	.103±.003
-170	7 3/4	7 15/16	3/32	7.737±.045	.103±.003
-171	8	8 3/16	3/32	7.987±.045	.103±.003
-172	8 1/4	8 7/16	3/32	8.237±.050	.103±.003
-173	8 1/2	8 11/16	3/32	8.487±.050	.103±.003
-174	8 3/4	8 15/16	3/32	8.737±.050	.103±.003
-175	9	9 3/16	3/32	8.987±.050	.103±.003
-176	9 1/4	9 7/16	3/32	9.237±.055	.103±.003
-177	9 1/2	9 11/16	3/32	9.487±.055	.103±.003
-178	9 3/4	9 15/16	3/32	9.737±.055	.103±.003
-201	3/16	7/16	1/8	.171±.005	.139±.004
-202	1/4	1/2	1/8	.234±.005	.139±.004
-203	5/16	9/16	1/8	.296±.005	.139±.004
-204	3/8	5/8	1/8	.359±.005	.139±.004
-205	7/16	11/16	1/8	.421±.005	.139±.004
-206	1/2	3/4	1/8	.484±.005	.139±.004
-207	9/16	13/16	1/8	.546±.007	.139±.004
-208	5/8	7/8	1/8	.609±.009	.139±.004
-209	11/16	15/16	1/8	.671±.009	.139±.004
-210	3/4	1	1/8	.734±.010	.139±.004
-211	13/16	1 1/16	1/8	.796±.010	.139±.004
-212	7/8	1 1/8	1/8	.859±.010	.139±.004
-213	15/16	1 3/16	1/8	.921±.010	.139±.004

AS-568A SERIES	NOMINAL SIZE			ACTUAL DIMENSIONS	
	ID	OD	Width	ID Tol.	W. Tol.
-214	1	1 1/4	1/8	.984±.010	.139±.004
-215	1 1/16	1 5/16	1/8	1.046±.010	.139±.004
-216	1 1/8	1 3/8	1/8	1.109±.012	.139±.004
-217	1 3/16	1 7/16	1/8	1.171±.012	.139±.004
-218	1 1/4	1 1/2	1/8	1.234±.012	.139±.004
-219	1 5/16	1 9/16	1/8	1.296±.012	.139±.004
-220	1 3/8	1 5/8	1/8	1.359±.012	.139±.004
-221	1 7/16	1 11/16	1/8	1.421±.012	.139±.004
-222	1 1/2	1 3/4	1/8	1.484±.015	.139±.004
-223	1 5/8	1 7/8	1/8	1.609±.015	.139±.004
-224	1 3/4	2	1/8	1.734±.015	.139±.004
-225	1 7/8	2 1/8	1/8	1.859±.018	.139±.004
-226	2	2 1/4	1/8	1.984±.018	.139±.004
-227	2 1/8	2 3/8	1/8	2.109±.018	.139±.004
-228	2 1/4	2 1/2	1/8	2.234±.020	.139±.004
-229	2 3/8	2 5/8	1/8	2.359±.020	.139±.004
-230	2 1/2	2 3/4	1/8	2.484±.020	.139±.004
-231	2 5/8	2 7/8	1/8	2.609±.020	.139±.004
-232	2 3/4	3	1/8	2.734±.024	.139±.004
-233	2 7/8	3 1/8	1/8	2.859±.024	.139±.004
-234	3	3 1/4	1/8	2.984±.024	.139±.004
-235	3 1/8	3 3/8	1/8	3.109±.024	.139±.004
-236	3 1/4	3 1/2	1/8	3.234±.024	.139±.004
-237	3 3/8	3 5/8	1/8	3.359±.024	.139±.004
-238	3 1/2	3 3/4	1/8	3.484±.024	.139±.004
-239	3 5/8	3 7/8	1/8	3.609±.028	.139±.004
-240	3 3/4	4	1/8	3.734±.028	.139±.004
-241	3 7/8	4 1/8	1/8	3.859±.028	.139±.004
-242	4	4 1/4	1/8	3.984±.028	.139±.004
-243	4 1/8	4 3/8	1/8	4.109±.028	.139±.004
-244	4 1/4	4 1/2	1/8	4.234±.030	.139±.004
-245	4 3/8	4 5/8	1/8	4.359±.030	.139±.004
-246	4 1/2	4 3/4	1/8	4.484±.030	.139±.004
-247	4 5/8	4 7/8	1/8	4.609±.030	.139±.004
-248	4 3/4	5	1/8	4.734±.030	.139±.004
-249	4 7/8	5 1/8	1/8	4.859±.035	.139±.004
-250	5	5 1/4	1/8	4.984±.035	.139±.004
-251	5 1/8	5 3/8	1/8	5.109±.035	.139±.004
-252	5 1/4	5 1/2	1/8	5.234±.035	.139±.004
-253	5 3/8	5 5/8	1/8	5.359±.035	.139±.004
-254	5 1/2	5 3/4	1/8	5.484±.035	.139±.004
-255	5 5/8	5 7/8	1/8	5.609±.035	.139±.004
-256	5 3/4	6	1/8	5.734±.035	.139±.004
-257	5 7/8	6 1/8	1/8	5.859±.035	.139±.004
-258	6	6 1/4	1/8	5.984±.035	.139±.004
-259	6 1/4	6 1/2	1/8	6.234±.040	.139±.004
-260	6 1/2	6 3/4	1/8	6.484±.040	.139±.004

O-RING SIZE CHART AND INSTALLATION DATA

AS-568A SERIES	NOMINAL SIZE			ACTUAL DIMENSIONS	
	ID	OD	Width	ID Tol.	W. Tol.
-261	6 3/4	7	1/8	6.734±.040	.139±.004
-262	7	7 1/4	1/8	6.984±.040	.139±.004
-263	7 1/4	7 1/2	1/8	7.234±.045	.139±.004
-264	7 1/2	7 3/4	1/8	7.484±.045	.139±.004
-265	7 3/4	8	1/8	7.734±.045	.139±.004
-266	8	8 1/4	1/8	7.984±.045	.139±.004
-267	8 1/4	8 1/2	1/8	8.234±.050	.139±.004
-268	8 1/2	8 3/4	1/8	8.484±.050	.139±.004
-269	8 3/4	9	1/8	8.734±.050	.139±.004
-270	9	9 1/4	1/8	8.984±.050	.139±.004
-271	9 1/4	9 1/2	1/8	9.234±.055	.139±.004
-272	9 1/2	9 3/4	1/8	9.484±.055	.139±.004
-273	9 3/4	10	1/8	9.734±.055	.139±.004
-274	10	10 1/4	1/8	9.984±.055	.139±.004
-275	10 1/2	10 3/4	1/8	10.484±.055	.139±.004
-276	11	11 1/4	1/8	10.984±.065	.139±.004
-277	11 1/2	11 3/4	1/8	11.484±.065	.139±.004
-278	12	12 1/4	1/8	11.984±.065	.139±.004
-279	13	13 1/4	1/8	12.984±.065	.139±.004
-280	14	14 1/4	1/8	13.984±.065	.139±.004
-281	15	15 1/4	1/8	14.984±.065	.139±.004
-282	16	16 1/4	1/8	15.955±.075	.139±.004
-283	17	17 1/4	1/8	16.955±.080	.139±.004
-284	18	18 1/4	1/8	17.955±.085	.139±.004
-309	7/16	13/16	3/16	.412±.005	.210±.005
-310	1/2	7/8	3/16	.475±.005	.210±.005
-311	9/16	15/16	3/16	.537±.007	.210±.005
-312	5/8	1	3/16	.600±.009	.210±.005
-313	11/16	1 1/16	3/16	.662±.009	.210±.005
-314	3/4	1 1/8	3/16	.725±.010	.210±.005
-315	13/16	1 3/16	3/16	.787±.010	.210±.005
-316	7/8	1 1/4	3/16	.850±.010	.210±.005
-317	15/16	1 5/16	3/16	.912±.010	.210±.005
-318	1	1 3/8	3/16	.975±.010	.210±.005
-319	1 1/16	1 7/16	3/16	1.037±.010	.210±.005
-320	1 1/8	1 1/2	3/16	1.100±.012	.210±.005
-321	1 3/16	1 9/16	3/16	1.162±.012	.210±.005
-322	1 1/4	1 5/8	3/16	1.225±.012	.210±.005
-323	1 5/16	1 11/16	3/16	1.287±.012	.210±.005
-324	1 3/8	1 3/4	3/16	1.350±.012	.210±.005
-325	1 1/2	1 7/8	3/16	1.475±.015	.210±.005
-326	1 5/8	2	3/16	1.600±.015	.210±.005
-327	1 3/4	2 1/8	3/16	1.725±.015	.210±.005
-328	1 7/8	2 1/4	3/16	1.850±.015	.210±.005
-329	2	2 3/8	3/16	1.975±.018	.210±.005
-330	2 1/8	2 1/2	3/16	2.100±.018	.210±.005
-331	2 1/4	2 5/8	3/16	2.225±.018	.210±.005

AS-568A SERIES	NOMINAL SIZE			ACTUAL DIMENSIONS	
	ID	OD	Width	ID Tol.	W. Tol.
-332	2 3/8	2 3/4	3/16	2.350±.018	.210±.005
-333	2 1/2	2 7/8	3/16	2.475±.020	.210±.005
-334	2 5/8	3	3/16	2.600±.020	.210±.005
-335	2 3/4	3 1/8	3/16	2.725±.020	.210±.005
-336	2 7/8	3 1/4	3/16	2.850±.020	.210±.005
-337	3	3 3/8	3/16	2.975±.024	.210±.005
-338	3 1/8	3 1/2	3/16	3.100±.024	.210±.005
-339	3 1/4	3 5/8	3/16	3.225±.024	.210±.005
-340	3 3/8	3 3/4	3/16	3.350±.024	.210±.005
-341	3 1/2	3 7/8	3/16	3.475±.024	.210±.005
-342	3 5/8	4	3/16	3.600±.028	.210±.005
-343	3 3/4	4 1/8	3/16	3.725±.028	.210±.005
-344	3 7/8	4 1/4	3/16	3.850±.028	.210±.005
-345	4	4 3/8	3/16	3.975±.028	.210±.005
-346	4 1/8	4 1/2	3/16	4.100±.028	.210±.005
-347	4 1/4	4 5/8	3/16	4.225±.030	.210±.005
-348	4 3/8	4 3/4	3/16	4.350±.030	.210±.005
-349	4 1/2	4 7/8	3/16	4.475±.030	.210±.005
-350	4 5/8	5	3/16	4.600±.030	.210±.005
-351	4 3/4	5 1/8	3/16	4.725±.030	.210±.005
-352	4 7/8	5 1/4	3/16	4.850±.030	.210±.005
-353	5	5 3/8	3/16	4.975±.037	.210±.005
-354	5 1/8	5 1/2	3/16	5.100±.037	.210±.005
-355	5 1/4	5 5/8	3/16	5.225±.037	.210±.005
-356	5 3/8	5 3/4	3/16	5.350±.037	.210±.005
-357	5 1/2	5 7/8	3/16	5.475±.037	.210±.005
-358	5 5/8	6	3/16	5.600±.037	.210±.005
-359	5 3/4	6 1/8	3/16	5.725±.037	.210±.005
-360	5 7/8	6 1/4	3/16	5.850±.037	.210±.005
-361	6	6 3/8	3/16	5.975±.037	.210±.005
-362	6 1/4	6 5/8	3/16	6.225±.040	.210±.005
-363	6 1/2	6 7/8	3/16	6.475±.040	.210±.005
-364	6 3/4	7 1/8	3/16	6.725±.040	.210±.005
-365	7	7 3/8	3/16	6.975±.040	.210±.005
-366	7 1/4	7 5/8	3/16	7.225±.045	.210±.005
-367	7 1/2	7 7/8	3/16	7.475±.045	.210±.005
-368	7 3/4	8 1/8	3/16	7.725±.045	.210±.005
-369	8	8 3/8	3/16	7.975±.045	.210±.005
-370	8 1/4	8 5/8	3/16	8.225±.050	.210±.005
-371	8 1/2	8 7/8	3/16	8.475±.050	.210±.005
-372	8 3/4	9 1/8	3/16	8.725±.050	.210±.005
-373	9	9 3/8	3/16	8.975±.050	.210±.005
-374	9 1/4	9 5/8	3/16	9.225±.055	.210±.005
-375	9 1/2	9 7/8	3/16	9.475±.055	.210±.005
-376	9 3/4	10 1/8	3/16	9.725±.055	.210±.005
-377	10	10 3/8	3/16	9.975±.055	.210±.005
-378	10 1/2	10 7/8	3/16	10.475±.060	.210±.005

O-RING SIZE CHART AND INSTALLATION DATA

AS-568A SERIES	NOMINAL SIZE			ACTUAL DIMENSIONS	
	ID	OD	Width	ID Tol.	W. Tol.
-379	11	11 3/8	3/16	10.975±.060	.210±.005
-380	11 1/2	11 7/8	3/16	11.475±.065	.210±.005
-381	12	12 3/8	3/16	11.975±.065	.210±.005
-382	13	13 3/8	3/16	12.975±.065	.210±.005
-383	14	14 3/8	3/16	13.975±.070	.210±.005
-384	15	15 3/8	3/16	14.975±.070	.210±.005
-385	16	16 3/8	3/16	15.955±.075	.210±.005
-386	17	17 3/8	3/16	16.955±.080	.210±.005
-387	18	18 3/8	3/16	17.955±.085	.210±.005
-388	19	19 3/8	3/16	18.955±.090	.210±.005
-389	20	20 3/8	3/16	19.955±.095	.210±.005
-390	21	21 3/8	3/16	20.955±.095	.210±.005
-391	22	22 3/8	3/16	21.955±.100	.210±.005
-392	23	23 3/8	3/16	22.940±.105	.210±.005
-393	24	24 3/8	3/16	23.940±.110	.210±.005
-394	25	25 3/8	3/16	24.940±.115	.210±.005
-395	26	26 3/8	3/16	25.940±.120	.210±.005
-400*	1 3/8	1 7/8	1/4	1.225±.012	.275±.006
-401*	1 1/2	2	1/4	1.475±.014	.275±.006
-402*	1 5/8	2 1/8	1/4	1.600±.015	.275±.006
-403*	1 3/4	2 1/4	1/4	1.725±.016	.275±.006
-404*	1 7/8	2 3/8	1/4	1.850±.016	.275±.006
-405*	2	2 1/2	1/4	1.975±.017	.275±.006
-406*	2 1/8	2 5/8	1/4	2.100±.018	.275±.006
-407*	2 1/4	2 3/4	1/4	2.225±.018	.275±.006
-408*	2 3/8	2 7/8	1/4	2.350±.020	.275±.006
-409*	2 1/2	3	1/4	2.475±.020	.275±.006
-410*	2 5/8	3 1/8	1/4	2.600±.020	.275±.006
-411*	2 3/4	3 1/4	1/4	2.725±.022	.275±.006
-412*	2 7/8	3 3/8	1/4	2.850±.022	.275±.006
-413*	3	3 1/2	1/4	2.975±.024	.275±.006
-414*	3 1/8	3 5/8	1/4	3.100±.024	.275±.006
-415*	3 1/4	3 3/4	1/4	3.225±.024	.275±.006
-416*	3 3/8	3 7/8	1/4	3.350±.026	.275±.006
-417*	3 1/2	4	1/4	3.475±.026	.275±.006
-418*	3 5/8	4 1/8	1/4	3.600±.026	.275±.006
-419*	3 3/4	4 1/4	1/4	3.725±.028	.275±.006
-420*	3 7/8	4 3/8	1/4	3.850±.028	.275±.006
-421*	4	4 1/2	1/4	3.975±.028	.275±.006
-422*	4 1/8	4 5/8	1/4	4.100±.030	.275±.006
-423*	4 1/4	4 3/4	1/4	4.225±.030	.275±.006
-424*	4 3/8	4 7/8	1/4	4.350±.030	.275±.006
-425	4 1/2	5	1/4	4.475±.033	.275±.006
-426	4 5/8	5 1/8	1/4	4.600±.033	.275±.006
-427	4 3/4	5 1/4	1/4	4.725±.033	.275±.006
-428	4 7/8	5 3/8	1/4	4.850±.033	.275±.006
-429	5	5 1/2	1/4	4.975±.037	.275±.006

AS-568A SERIES	NOMINAL SIZE			ACTUAL DIMENSIONS	
	ID	OD	Width	ID Tol.	W. Tol.
-430	5 1/8	5 5/8	1/4	5.100±.037	.275±.006
-431	5 1/4	5 3/4	1/4	5.225±.037	.275±.006
-432	5 3/8	5 7/8	1/4	5.350±.037	.275±.006
-433	5 1/2	6	1/4	5.475±.037	.275±.006
-434	5 5/8	6 1/8	1/4	5.600±.037	.275±.006
-435	5 3/4	6 1/4	1/4	5.725±.037	.275±.006
-436	5 7/8	6 3/8	1/4	5.850±.037	.275±.006
-437	6	6 1/2	1/4	5.975±.037	.275±.006
-438	6 1/4	6 3/4	1/4	6.225±.040	.275±.006
-439	6 1/2	7	1/4	6.475±.040	.275±.006
-440	6 3/4	7 1/4	1/4	6.725±.040	.275±.006
-441	7	7 1/2	1/4	6.975±.040	.275±.006
-442	7 1/4	7 3/4	1/4	7.225±.045	.275±.006
-443	7 1/2	8	1/4	7.475±.045	.275±.006
-444	7 3/4	8 1/4	1/4	7.725±.045	.275±.006
-445	8	8 1/2	1/4	7.975±.045	.275±.006
-446	8 1/2	9	1/4	8.475±.055	.275±.006
-447	9	9 1/2	1/4	8.975±.055	.275±.006
-448	9 1/2	10	1/4	9.475±.055	.275±.006
-449	10	10 1/2	1/4	9.975±.055	.275±.006
-450	10 1/2	11	1/4	10.475±.060	.275±.006
-451	11	11 1/2	1/4	10.975±.060	.275±.006
-452	11 1/2	12	1/4	11.475±.060	.275±.006
-453	12	12 1/2	1/4	11.975±.060	.275±.006
-454	12 1/2	13	1/4	12.475±.060	.275±.006
-455	13	13 1/2	1/4	12.975±.060	.275±.006
-456	13 1/2	14	1/4	13.475±.070	.275±.006
-457	14	14 1/2	1/4	13.975±.070	.275±.006
-458	14 1/2	15	1/4	14.475±.070	.275±.006
-459	15	15 1/2	1/4	14.975±.070	.275±.006
-460	15 1/2	16	1/4	15.475±.070	.275±.006
-461	16	16 1/2	1/4	15.955±.075	.275±.006
-462	16 1/2	17	1/4	16.455±.075	.275±.006
-463	17	17 1/2	1/4	16.955±.080	.275±.006
-464	17 1/2	18	1/4	17.455±.085	.275±.006
-465	18	18 1/2	1/4	17.955±.085	.275±.006
-466	18 1/2	19	1/4	18.455±.085	.275±.006
-467	19	19 1/2	1/4	18.955±.090	.275±.006
-468	19 1/2	20	1/4	19.455±.090	.275±.006
-469	20	20 1/2	1/4	19.955±.090	.275±.006
-470	21	21 1/2	1/4	20.955±.090	.275±.006
-471	22	22 1/2	1/4	21.955±.100	.275±.006
-472	23	23 1/2	1/4	22.940±.105	.275±.006
-473	24	24 1/2	1/4	23.940±.110	.275±.006
-474	25	25 1/2	1/4	24.940±.115	.275±.006
-475	26	26 1/2	1/4	25.940±.120	.275±.006

NOTES

NOTES

